

DINGLI

Exceed · New Height

Parts Manual

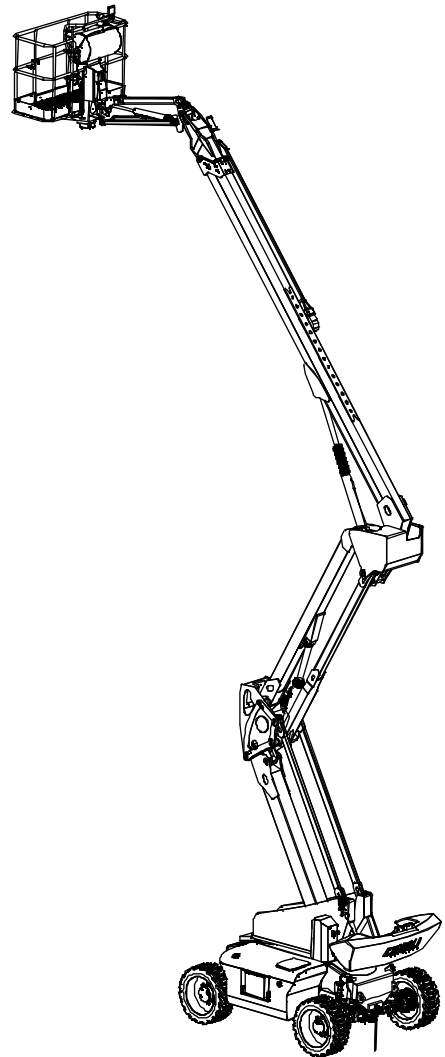
BA22CERT2

BA20CERT2

BA18CERT2

BA16CERT2

From SN BAEC024A00023



Part Number: SM042320113

Version Number: Rev1.4

March 2024 Printing

DINGLI

Version of the Record

Version Number	Create Date
SM042320113_Rev1.0.....	2023-09
SM042320113_Rev1.1.....	2023-10
SM042320113_Rev1.2.....	2023-12
SM042320113_Rev1.3.....	2024-01
SM042320113_Rev1.4.....	2024-01

Foreword

We are very appreciated for your interesting with Dingli machine and choosing it for your application. Our priority above all is you can use the machine safely for your application and you can benefit from the Dingli machine mostly. For these reason we hope you can:

1. Comply with employer, job site and local governmental rules.
2. Safeguard your commitment to quality by always using genuine Dingli spare parts. Remember, Dingli cannot accept responsibility for the failure of a separator equipped with non-original spare parts. We guarantee the quality and reliability of our products.
3. All sketch maps of parts shown in this manual are for reference only, it is the practical that counts. This manual includes all the latest information up to the date when it was printed. All responsibilities for the revision and explanation of the manual rest with the Dingli. We also preserve the right to edit the technology characteristic and content of the manual.
4. Anyone who read the manual or used the machine, is encouraged to notify Dingli Machinery Co, Ltd of any errors or send in suggestions for improvement. All communications will be carefully considered for future printings of this and other manuals, certainly if you have any question about the machine, please contact with our team by dialing technical support phone, sending email, or any methods you want, etc. Our contact information as bellow:

If you are in China Mainland, Please contact with:

Zhejiang Dingli Machinery Co.,Ltd. Domestic Office:

Phone: +86 572 8681766
Fax: +86 572 8681700
Email: sales@cndingli.com

If you are out of the China Mainland, Please contact with:

Zhejiang Dingli Machinery Co.,Ltd. International Office:

Phone: +86 572 8681688
Fax: +86 572 8681690
Email: export@cndingli.com

Table of Contents

Section 1 Chassis

1-1	Axle Installations (2WS)	2
1-2	Axle Installations (4WS)	4
1-3	Axle Lockout Cylinder Installations	6
1-4	Tire and Wheel Installations	8
1-5	Slew Drive Assembly Installations	10
1-6	Chassis Components	12
1-7	Front Axle Accessory	14
1-8	Chassis Manifold (2WS)	17
1-9	Chassis Manifold (4WS)	19
1-10	Module Installations	21
1-11	Battery Module Assembly 1	23
1-12	Battery Module Assembly 2 (Lead-acid Battery) (BA22CERT2, BA20CERT2)	25
1-13	Battery Module Assembly 2 (Lithium Battery) (BA22CERT2, BA20CERT2)	27
1-14	Battery Module Assembly 2 (BA18CERT2, BA16CERT2)	29
1-15	Charger Assembly with Bracket	31
1-16	Hydraulic Module Assembly 1	33
1-17	Hydraulic Module Assembly 2	36
1-18	Hydraulic Module Assembly 3	39
1-19	Unloading Valve	41
1-20	Ground Control Box Assembly	43
1-21	Chassis Clamp Installations 1	45
1-22	Chassis Clamp Installations 2	47
1-23	Grease System Installations	49

Section 2 Turntable

2-1	Turntable Accessories Installations 1	52
2-2	Turntable Accessories Installations 2	54
2-3	PVG Valve Block (Standard)	57
2-4	PVG Valve Block (Optional)	60
2-5	Counterweight Installations (BA22CERT2, BA18CERT2, BA16CERT2)	63
2-6	Counterweight Installations (BA20CERT2)	65

Section 3 Boom

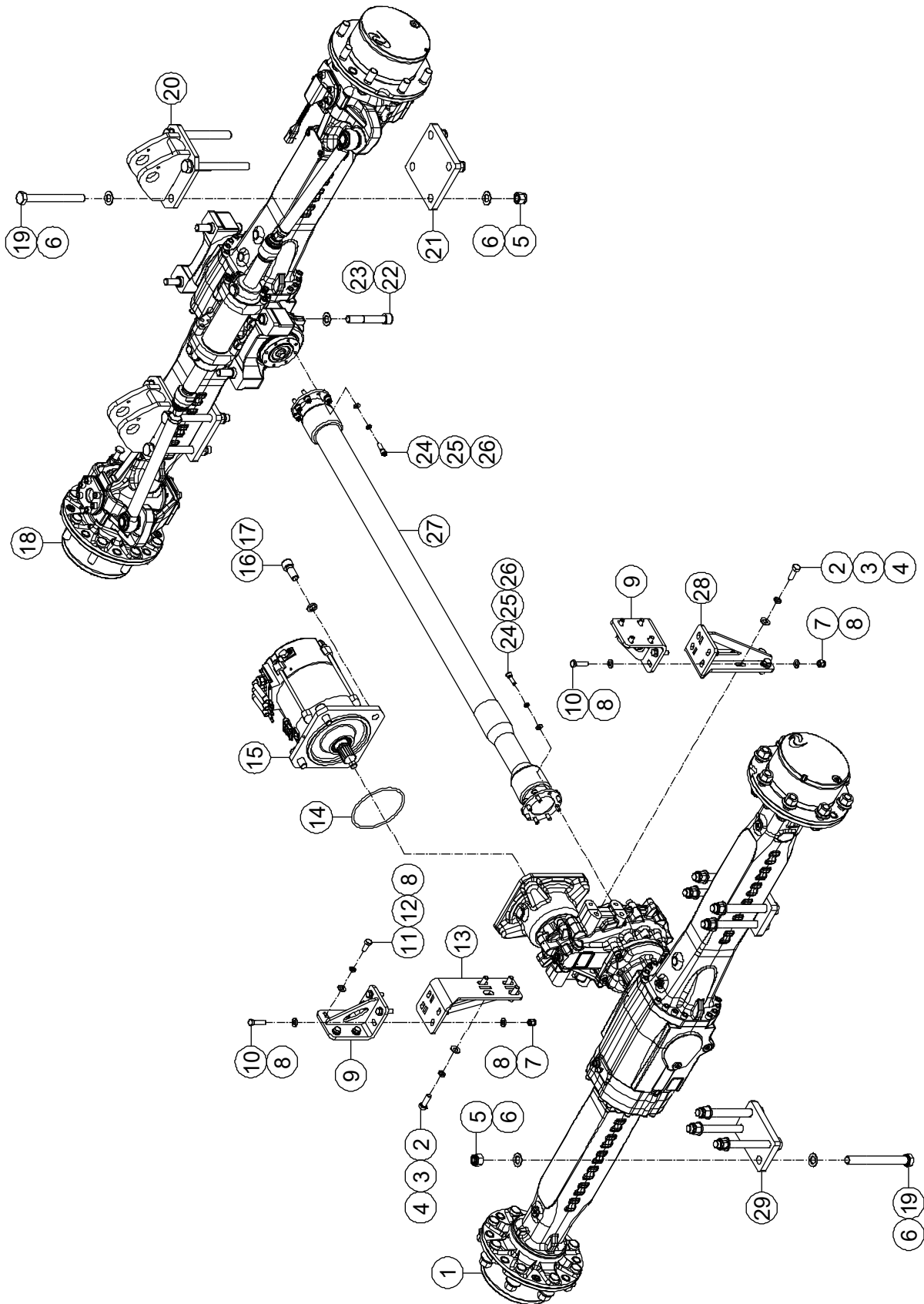
3-1	Crank Arm 1 Installations	68
3-2	Rod, Connection 1 Installations	70

3-3	Crank Arm 2 Installations.....	72
3-4	Rod, Connection 2 Installations.....	74
3-5	Link, Timing Installations.....	76
3-6	Lower Lifting Cylinder Assembly Installations.....	78
3-7	Telescopic Boom.....	80
3-8	Base Boom Sliding Block Installations.....	82
3-9	Base Boom Accessories Installations 1.....	84
3-10	Base Boom Accessories Installations 2.....	86
3-11	Second Boom Sliding Block Installations.....	88
3-12	Telescope Cylinder Assembly Installations.....	90
3-13	Carrier System Installations.....	92
3-14	Boom Shield Installations.....	95
3-15	Upper Lifting Cylinder Assembly Installations.....	97
3-16	JIB Leveling Cylinder Assembly Installations.....	99
3-17	Telescopic Boom and Articulating JIB Installations.....	101
3-18	Articulating JIB Installations.....	103
3-19	Rotate Cylinder Assembly Installations.....	105
3-20	Articulating JIB Valve Block Installations.....	108
3-21	Directional Valve Assembly.....	110
Section 4 Platform		
4-1	Platform Installations (1.83m×0.79m, Standard).....	113
4-2	Platform Installations (2.44m×0.91m, Optional).....	115
4-3	Platform Assembly.....	117
4-4	Gate Assembly.....	119
4-5	Lift Guard Contact Alarm.....	121
Section 5 Cylinder		
5-1	Left Axle Lockout Cylinder Assembly.....	124
5-2	Right Axle Lockout Cylinder Assembly.....	126
5-3	Lower Lifting Cylinder Assembly.....	128
5-4	Upper Lifting Cylinder Assembly.....	130
5-5	Telescope Cylinder Assembly.....	132
5-6	JIB Leveling Cylinder Assembly.....	134
5-7	JIB Lifting Cylinder Assembly.....	136
Section 6 Hydraulic System		
6-1	Chassis Circuit 1.....	139
6-2	Chassis Circuit 2 (2WS).....	142

6-3 Chassis Circuit 2 (4WS)	144
6-4 Turntable Circuit.....	146
6-5 JIB Circuit	150
Section 7 Electrical System	
7-1 Electrical Harness	153
7-2 Electrical Installations.....	157
7-3 Power Distribution Module.....	159
7-4 Ground Control Panel Assembly.....	161
7-5 Platform Control Box Assembly	163
Section 8 Decals	
8-1 Decals Installations	167
Section 9 Special Options	
9-1 Ground Control Box Housing Installations	175
9-2 Alarm Installations.....	177
9-3 GPS Module Installations	179
9-4 Boom Shield Installations	181
9-5 Platform Accessories 1 (1.83m×0.79m)	183
9-6 Platform Accessories 1 (2.44m×0.91m)	185
9-7 Platform Accessories 2 (1.83m×0.79m)	187
9-8 Platform Accessories 2 (2.44m×0.91m)	189
9-9 Platform Accessories 3 (1.83m×0.79m)	191
9-10 Platform Accessories 3 (2.44m×0.91m)	193
9-11 Platform Accessories 3	195
9-12 Lift Guard Contact Alarm	197
9-13 Anti-collision Device Installations 1.....	199
9-14 Anti-collision Device Installations 2.....	201

Section 1 Chassis

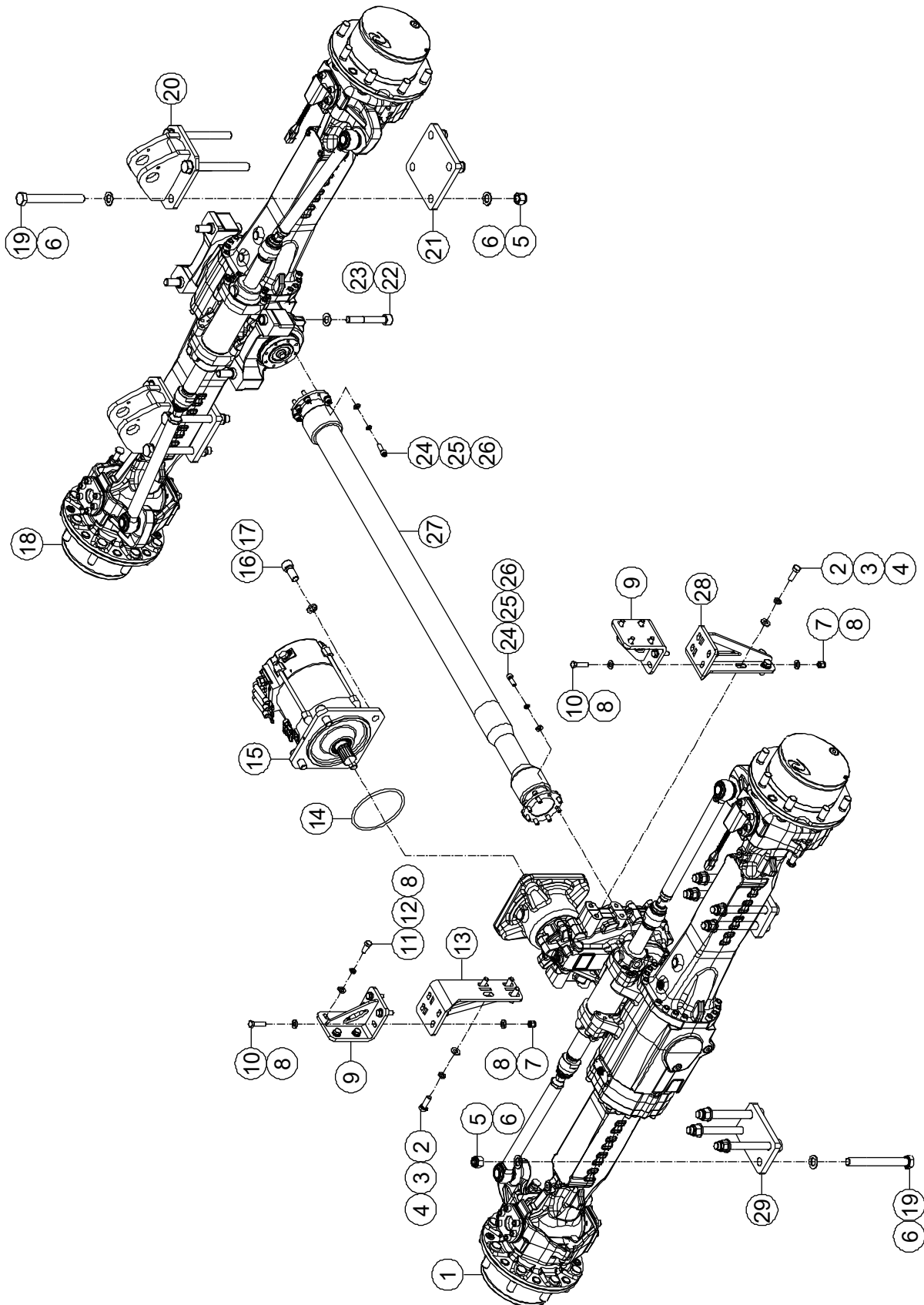
1-1 Axle Installations (2WS)



1-1 Axle Installations (2WS)

Item	Part Number	Description	Qty.	Remark
1	00010633	Rear Axle Assembly	1	
2	00002904	Bolt GB/T 5783 M14 × 40	8	
3	00001258	Spring Washer GB/T 93 14	8	
4	00001043	Flat Washer GB/T 97.1 14	8	
5	00004487	Nut GB/T 6182 M22	16	
6	00002550	Flat Washer GB/T 97.1 22	32	
7	00001249	Nut GB/T 6182 M12	8	
8	00000814	Flat Washer GB/T 97.1 12	24	
9	50005351	Bracket	2	
10	00002452	Bolt GB/T 5783 M12 × 45	8	
11	00002059	Bolt GB/T 5783 M12 × 30	8	
12	00000815	Spring Washer GB/T 93 12	8	
13	50006997	Bracket (Left Side)	1	
14	00001554	O-Ring	1	
15	00006258	Drive Motor Assembly	1	
16	00006639	Screw GB/T 70 M20 × 45	4	
17	00002219	Spring Washer GB/T 93 20	4	
18	00008669	Front Axle Assembly	1	
19	00006812	Bolt GB/T 5782 M22 × 210	16	
20	90031650	Seat, Axle Lockout Cylinder Assembly	2	
21	90031656	Bracket, Link	2	
22	00008695	Screw GB/T 70 M20 × 130	4	
23	00001050	Flat Washer GB/T 97.1 20	4	
24	00001059	Screw GB/T 70 M10 × 30	16	
25	00000679	Spring Washer GB/T 93 10	16	
26	00000615	Flat Washer GB/T 97.1 10	16	
27	00006270	Propeller Shaft	1	
28	50007000	Bracket (Right Side)	1	
29	90031649	Bracket, Link	2	

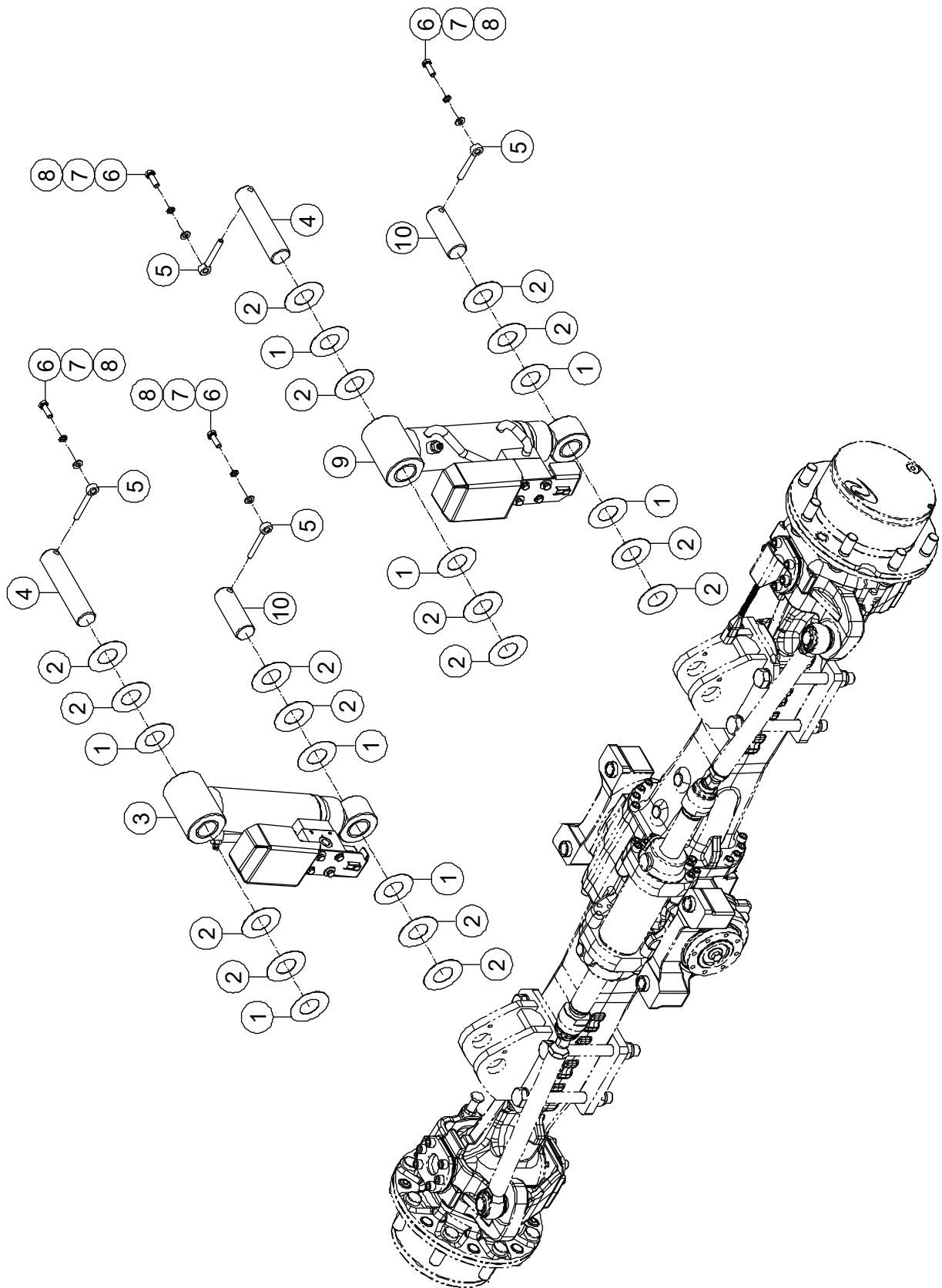
1-2 Axle Installations (4WS)



1-2 Axle Installations (4WS)

Item	Part Number	Description	Qty.	Remark
1	00008668	Rear Axle Assembly	1	
2	00002904	Bolt GB/T 5783 M14 × 40	8	
3	00001258	Spring Washer GB/T 93 14	8	
4	00001043	Flat Washer GB/T 97.1 14	8	
5	00004487	Nut GB/T 6182 M22	16	
6	00002550	Flat Washer GB/T 97.1 22	32	
7	00001249	Nut GB/T 6182 M12	8	
8	00000814	Flat Washer GB/T 97.1 12	24	
9	50005351	Bracket	2	
10	00002452	Bolt GB/T 5783 M12 × 45	8	
11	00002059	Bolt GB/T 5783 M12 × 30	8	
12	00000815	Spring Washer GB/T 93 12	8	
13	50006997	Bracket (Left Side)	1	
14	00001554	O-Ring	1	
15	00006258	Drive Motor Assembly	1	
16	00006639	Screw GB/T 70 M20 × 45	4	
17	00002219	Spring Washer GB/T 93 20	4	
18	00008669	Front Axle Assembly	1	
19	00006812	Bolt GB/T 5782 M22 × 210	16	
20	90031650	Seat, Axle Lockout Cylinder Assembly	2	
21	90031656	Bracket, Link	2	
22	00008695	Screw GB/T 70 M20 × 130	4	
23	00001050	Flat Washer GB/T 97.1 20	4	
24	00001059	Screw GB/T 70 M10 × 30	16	
25	00000679	Spring Washer GB/T 93 10	16	
26	00000615	Flat Washer GB/T 97.1 10	16	
27	00006270	Propeller Shaft	1	
28	50007000	Bracket (Right Side)	1	
29	90031649	Bracket, Link	2	

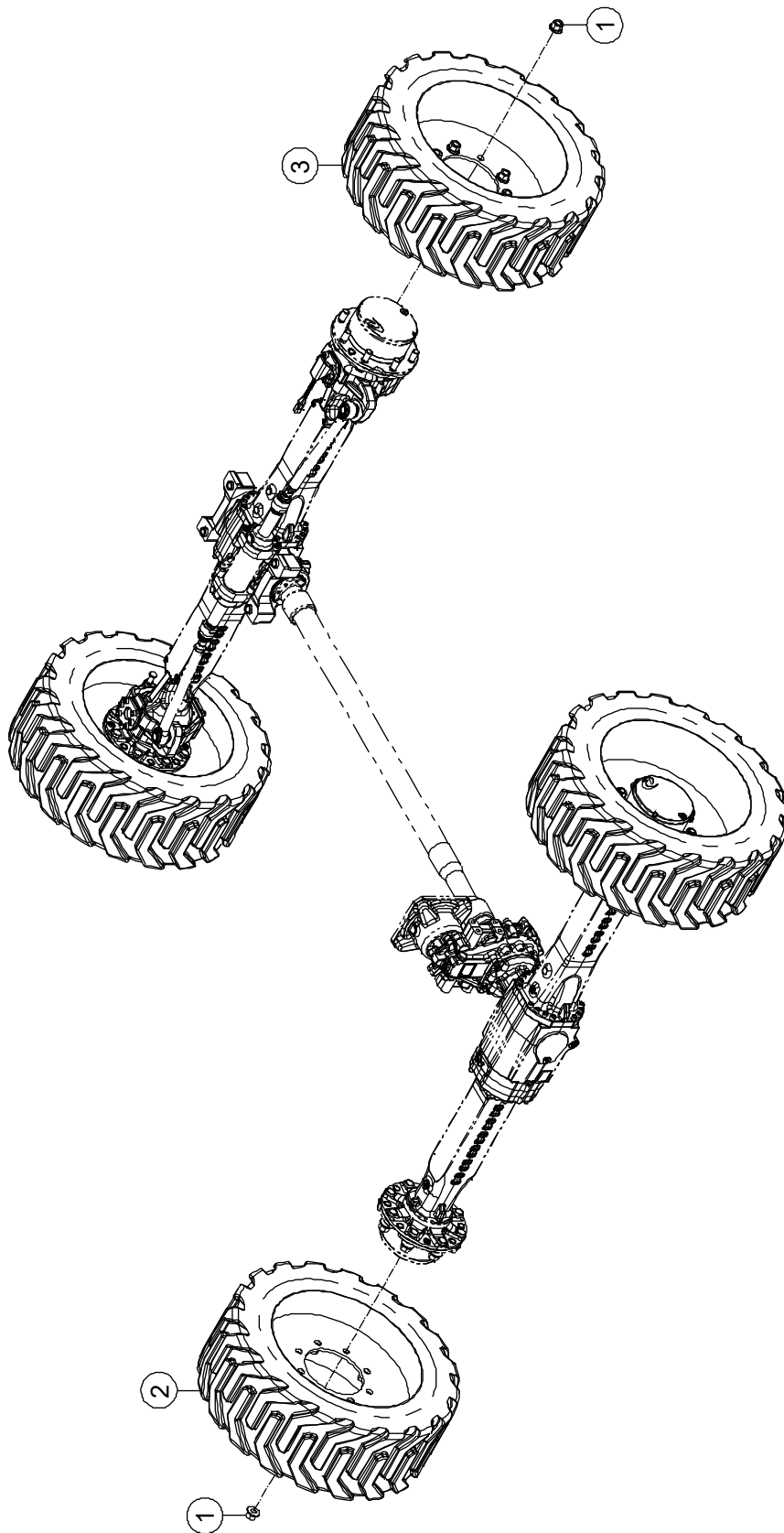
1-3 Axle Lockout Cylinder Installations



1-3 Axle Lockout Cylinder Installations

Item	Part Number	Description	Qty.	Remark
1	90029460	Shim	8	
2	90029459	Shim	16	
3		Left Axle Lockout Cylinder Assembly (Refer to 5-1)	1	
4	90029458	Pin, Pivot	2	
5	00000220	8902-10080 Pin, Lock	4	
6	00000683	Bolt GB/T 5783 M10 × 30	4	
7	00000679	Spring Washer GB/T 93 10	4	
8	00000615	Flat Washer GB/T 97.1 10	4	
9		Right Axle Lockout Cylinder Assembly (Refer to 5-2)	1	
10	90029120	Pin, Pivot	2	

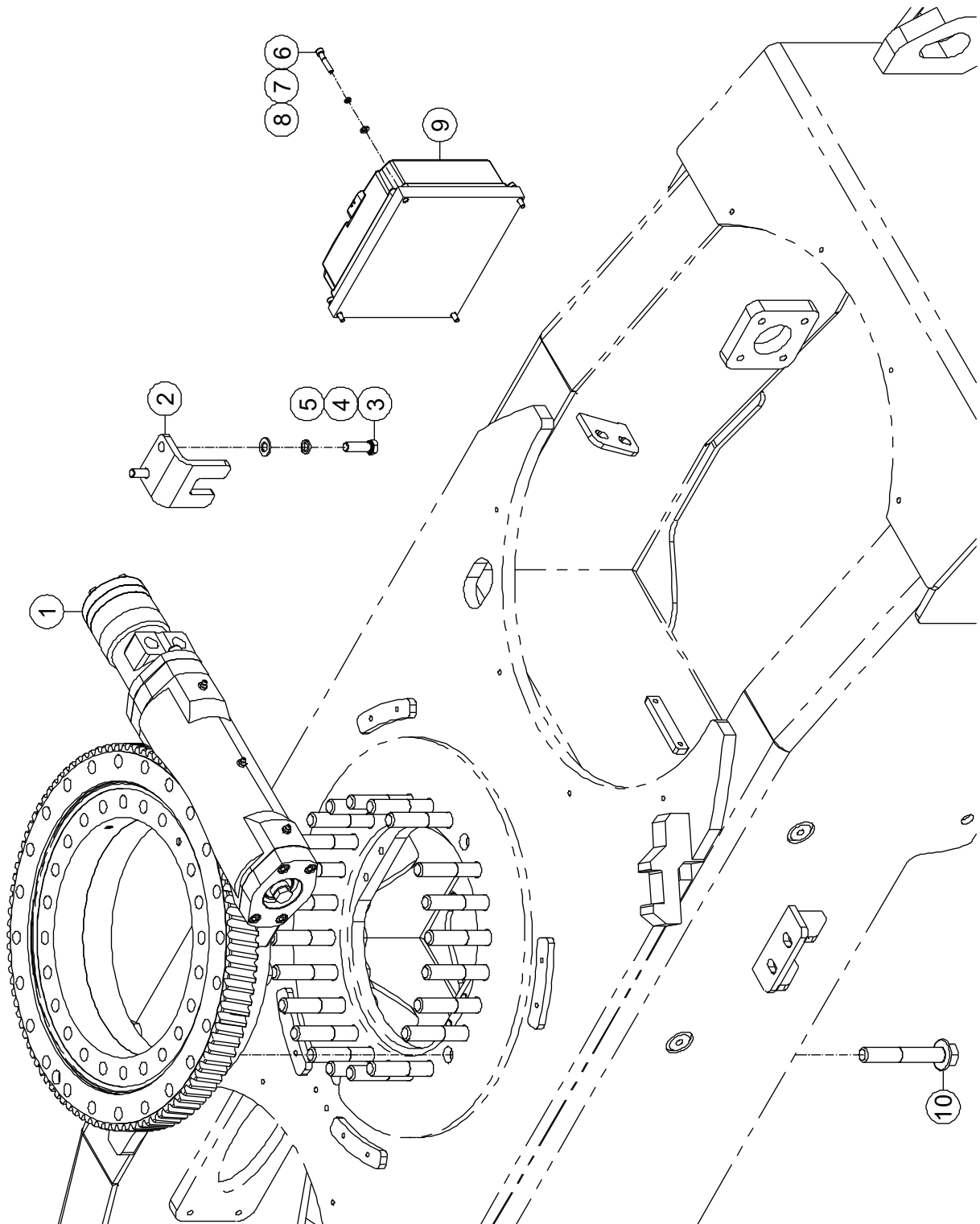
1-4 Tire and Wheel Installations



1-4 Tire and Wheel Installations

Item	Part Number	Description	Qty.	Remark
1	00002650	Nut M22×1.5	32	
2	50009032	Tire and Wheel Assembly (Left Side)	2	
3	50009033	Tire and Wheel Assembly (Right Side)	2	

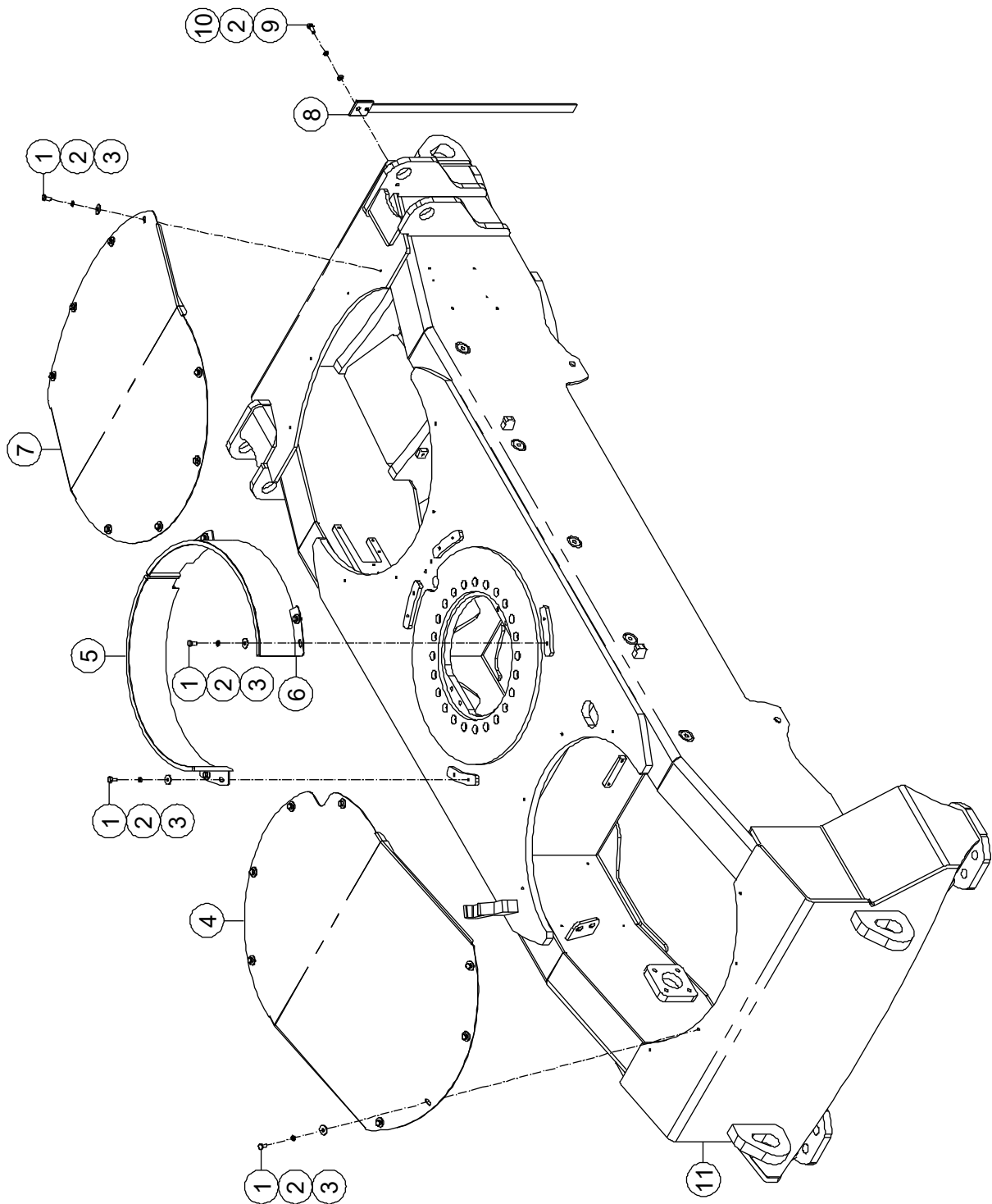
1-5 Slew Drive Assembly Installations



1-5 Slew Drive Assembly Installations

Item	Part Number	Description	Qty.	Remark
1	00010360	Slew Drive Assembly	1	
2	50007642	Plate	2	
3	00001055	Bolt GB/T 5783 M12 × 40	4	
4	00000815	Spring Washer GB/T 93 12	4	
5	00000814	Flat Washer GB/T 97.1 12	4	
6	00002934	Screw GB/T 70 M6 × 35	4	
7	00000621	Spring Washer GB/T 93 6	4	
8	00000620	Flat Washer GB/T 97.1 6	4	
9	00006253	Motor Controller	1	
10	00010361	Bolt GB/T 5789 M20 × 130	23	

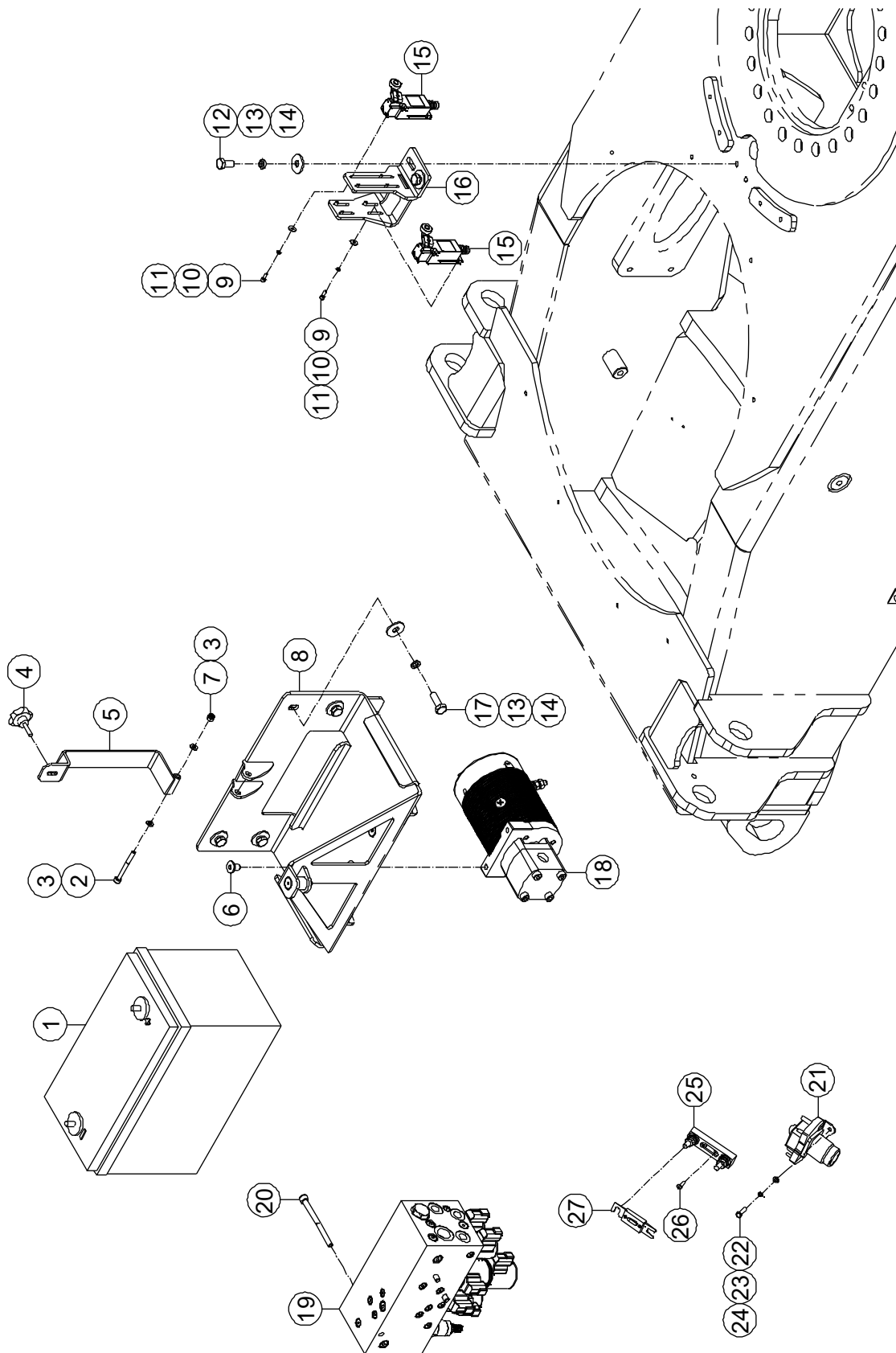
1-6 Chassis Components



1-6 Chassis Components

Item	Part Number	Description	Qty.	Remark
1	00001063	Bolt GB/T 5783 M8 × 16	24	
2	00000609	Spring Washer GB/T 93 8	25	
3	00002000	Flat Washer GB/T 96.1 8	24	
4	50009282	Cover	1	
5	50008683	Housing	1	
6	50008678	Housing	1	
7	50009026	Cover	1	
8	00000669	Ground Strap	1	
9	00000875	Bolt GB/T 5783 M8 × 20	1	
10	00000608	Flat Washer GB/T 97.1 8	1	
11	50009007	Chassis	1	

1-7 Front Axle Accessory



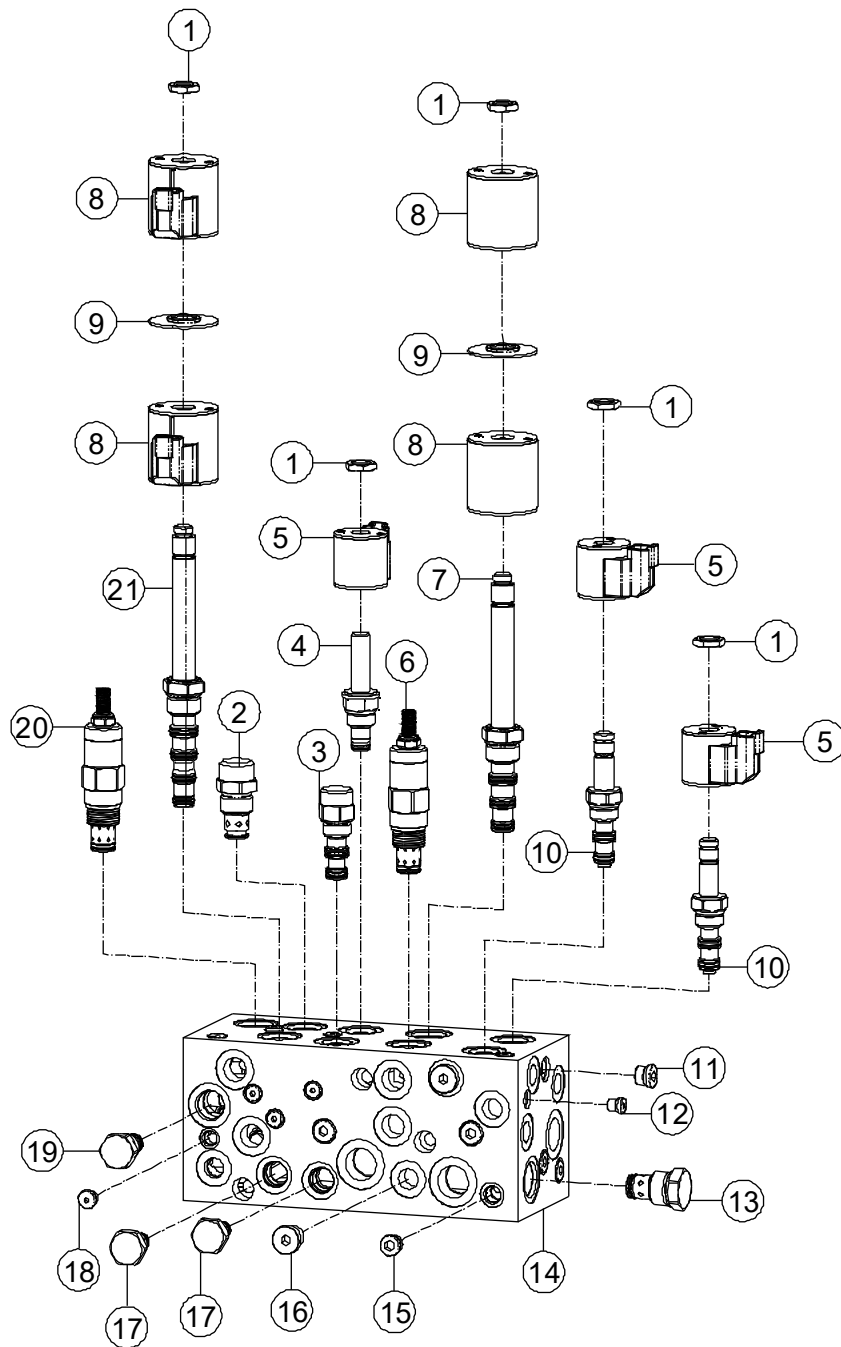
1-7 Front Axle Accessory

Item	Part Number	Description	Qty.	Remark
1	00004485	Battery	1	
2	00006392	Screw GB/T 70 M6 × 60	1	
3	00000620	Flat Washer GB/T 97.1 6	2	
4	92009577	Bolt	1	
5	92049239	Retainer	1	
6	00000844	Screw GB/T 70.3 M10×16	2	
7	00001033	Nut GB/T 6182 M6	1	
8	92058013	Support	1	
9	00001252	Screw GB/T 70 M5 × 12	8	
10	00000606	Spring Washer GB/T 93 5	8	
11	00003545	Flat Washer GB/T 96.1 5	8	
12	00000674	Bolt GB/T 5783 M10 × 20	2	
13	00000679	Spring Washer GB/T 93 10	6	
14	00001028	Flat Washer GB/T 96.1 10	6	
15	00000748	Switch, Limit	2	
16	50008814	Support	1	
17	00000683	Bolt GB/T 5783 M10 × 30	4	
18	00006580	Emergency Pump Assembly	1	
--	00006954	Motor	1	
--	00006955	Pump	1	
19	00010218	Chassis Manifold (<i>Refer to 1-8</i>)	1	2WS
	00010546	Chassis Manifold (<i>Refer to 1-9</i>)	1	4WS
20	00002497	Screw GB/T 70 M8 × 100	3	
21	00002205	Contactoer	1	
22	00002268	Bolt GB/T 5783 M5 × 20	2	
23	00000606	Spring Washer GB/T 93 5	2	
24	00000605	Flat Washer GB/T 97.1 5	2	
25	00000757	Seat, Fuse	1	
26	00001232	Screw GB/T 818 M4 × 16 - H	2	

1-7 Front Axle Accessory (Continued)

Item	Part Number	Description	Qty.	Remark
27	00000759	200A Fuse	1	

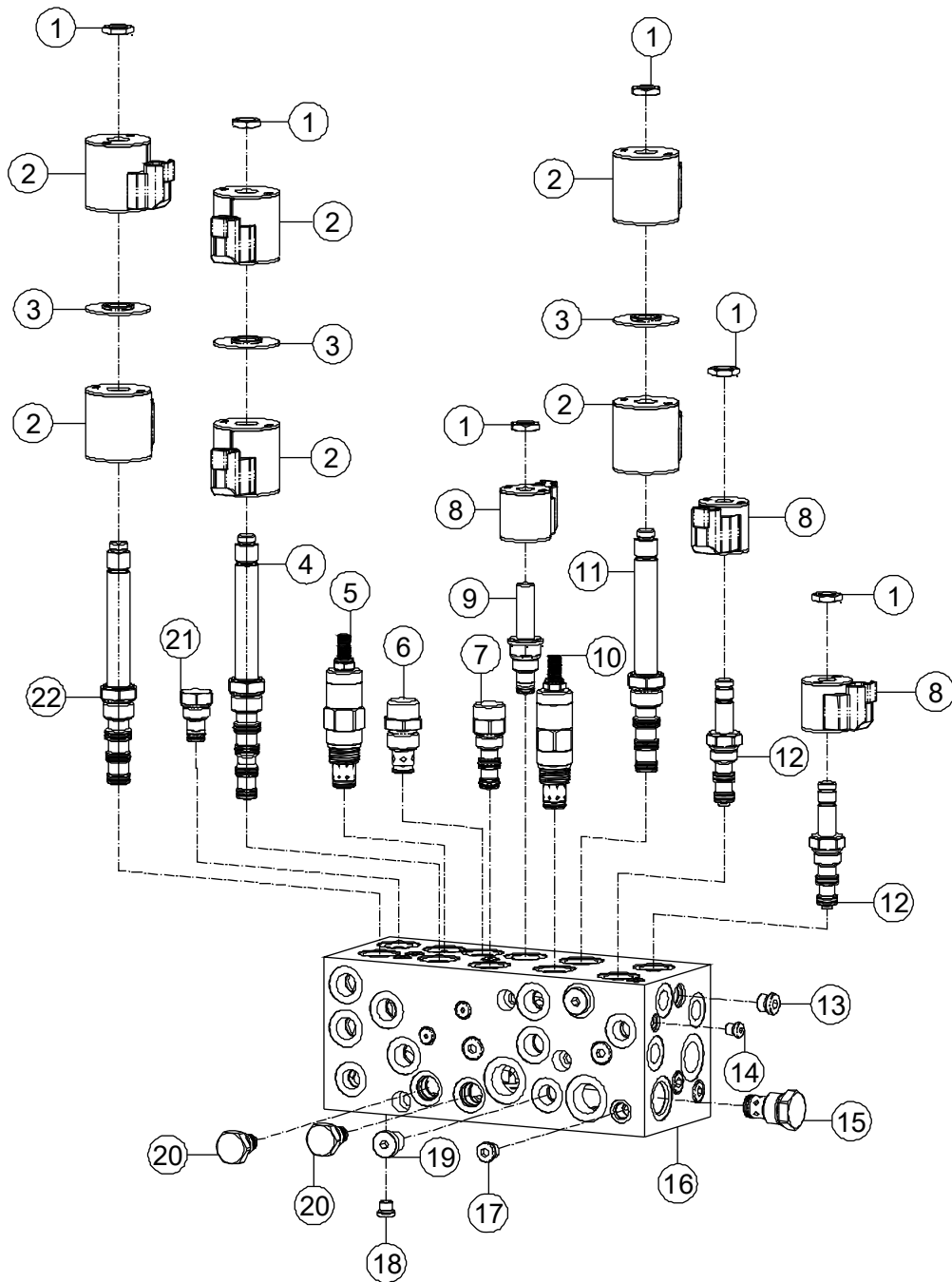
1-8 Chassis Manifold (2WS)



1-8 Chassis Manifold (2WS)

Item	Part Number	Description	Qty.	Remark
1	00003017	Nut	5	
2	00010777	Cartridge, Flow Control Valve	1	
3	00010776	Cartridge, Flow Control Valve	1	
4	00003697	Cartridge, Solenoid Valve	1	
5	00004091	Coil	3	
6	00010533	Cartridge, Relief Valve	1	
7	00004243	Cartridge, Solenoid Valve	1	
8	00006762	Coil	4	
9	00006763	Spacer	2	
10	00004550	Cartridge, Solenoid Valve	2	
11	00004383	Plug	4	
12	00002999	Plug	18	
13	00003998	Cartridge, Check Valve	1	
14	00010773	Body	1	
15	00002998	Plug	8	
16	00001073	Plug	2	
17	00010779	Cartridge, Check Valve	2	
18	00002997	Plug	4	
19	10000404	Cartridge, Check Valve	1	
20	00010780	Cartridge, Relief Valve	1	
21	00010778	Cartridge, Solenoid Valve	1	

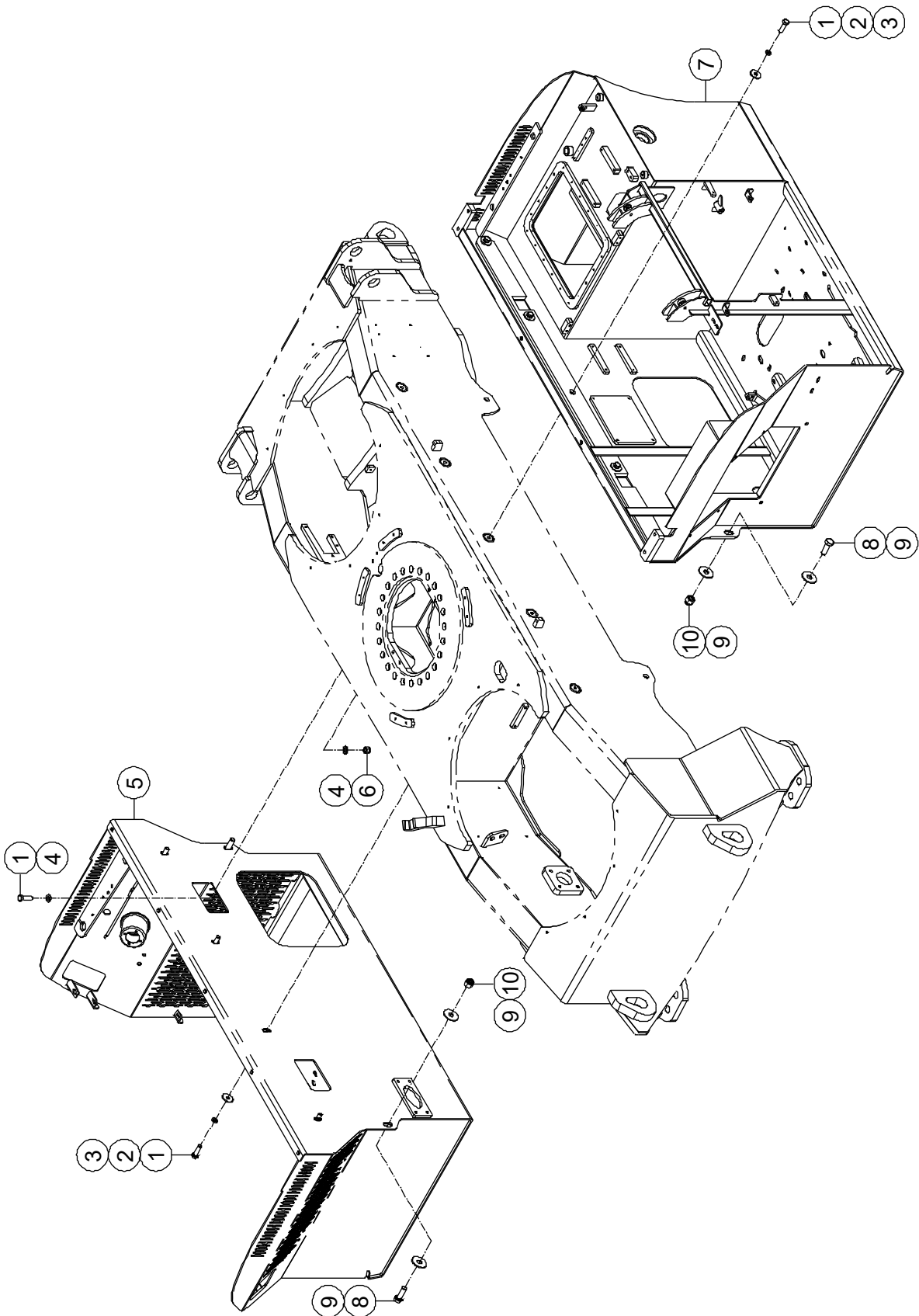
1-9 Chassis Manifold (4WS)



1-9 Chassis Manifold (4WS)

Item	Part Number	Description	Qty.	Remark
1	00003017	Nut	6	
2	00006762	Coil	6	
3	00006763	Spacer	3	
4	00010778	Cartridge, Solenoid Valve	1	
5	00010780	Cartridge, Relief Valve	1	
6	00010777	Cartridge, Flow Control Valve	1	
7	00010776	Cartridge, Flow Control Valve	1	
8	00004091	Coil	3	
9	00003697	Cartridge, Solenoid Valve	1	
10	00010533	Cartridge, Relief Valve	1	
11	00004243	Cartridge, Solenoid Valve	1	
12	00004550	Cartridge, Solenoid Valve	2	
13	00004383	Plug	4	
14	00002999	Plug	18	
15	00003998	Cartridge, Check Valve	1	
16	00011211	Body	1	
17	00002998	Plug	7	
18	00002997	Plug	2	
19	00001073	Plug	2	
20	00010779	Cartridge, Check Valve	2	
21	10000404	Cartridge, Check Valve	1	
22	00011210	Cartridge, Solenoid Valve	1	

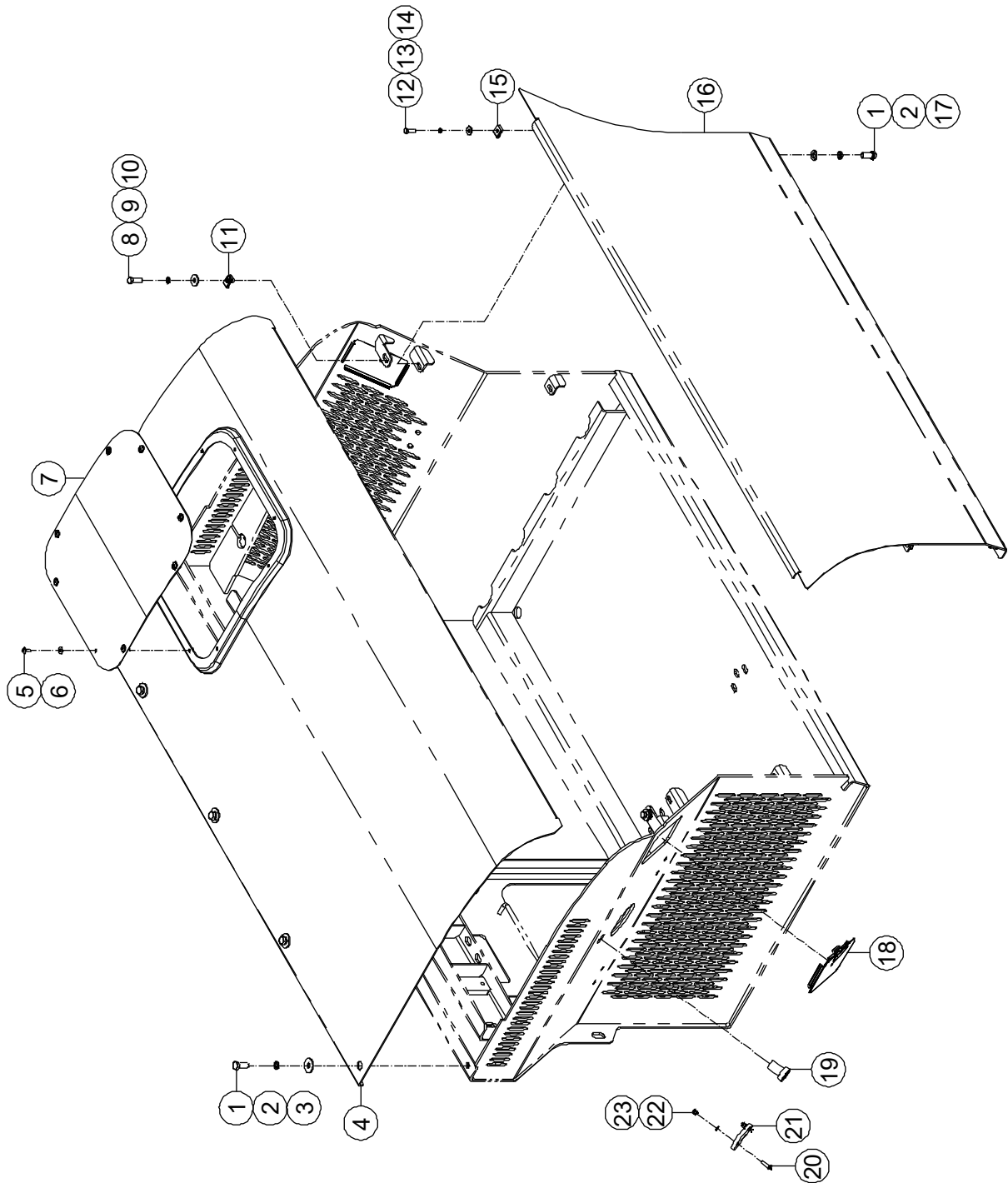
1-10 Module Installations



1-10 Module Installations

Item	Part Number	Description	Qty.	Remark
1	00001055	Bolt GB/T 5783 M12 × 40	13	
2	00000815	Spring Washer GB/T 93 12	9	
3	00002601	Flat Washer GB/T 96.1 12	9	
4	00000814	Flat Washer GB/T 97.1 12	8	
5	50011691	Battery Module	1	
6	00001249	Nut GB/T 6182 M12	4	
7	50008912	Hydraulic Module	1	
8	00001057	Bolt GB/T 5783 M16 × 45	4	
9	00003071	Flat Washer GB/T 96.1 16	8	
10	00001257	Nut GB/T 6182 M16	4	

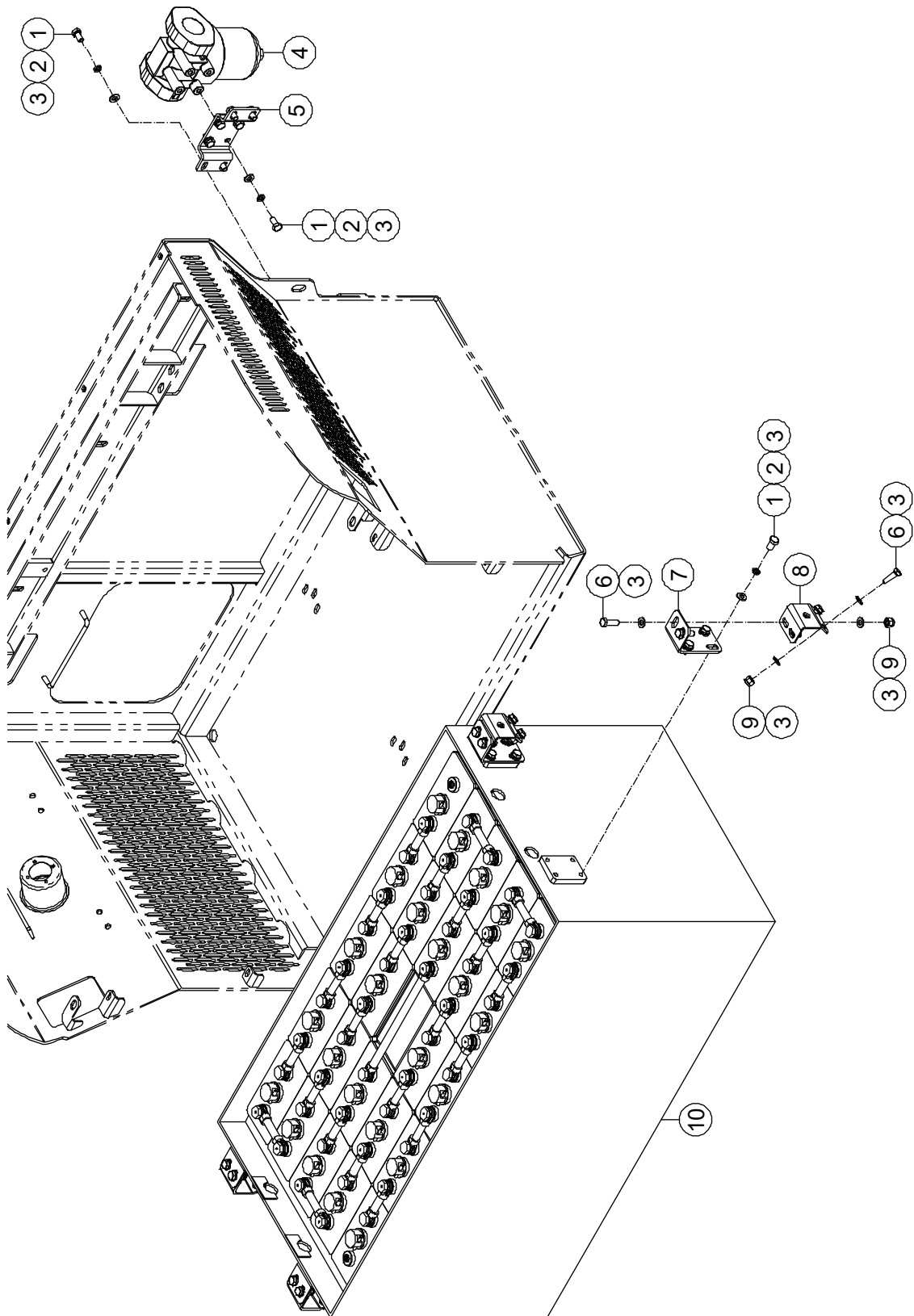
1-11 Battery Module Assembly 1



1-11 Battery Module Assembly 1

Item	Part Number	Description	Qty.	Remark
1	00000678	Bolt GB/T 5783 M10 × 25	9	
2	00000679	Spring Washer GB/T 93 10	9	
3	00001028	Flat Washer GB/T 96.1 10	5	
4	50008733	Cover	1	
5	00001012	Screw GB/T 973 M5×14	8	
6	00003545	Flat Washer GB/T 96.1 5	8	
7	92101403	Cover	1	
8	00000993	Bolt GB/T 5783 M8 × 25	2	
9	00000609	Spring Washer GB/T 93 8	2	
10	00002000	Flat Washer GB/T 96.1 8	2	
11	00006251	Nut QC/T 885 M8	2	
12	00000743	Bolt GB/T 5783 M6 × 20	4	
13	00000621	Spring Washer GB/T 93 6	4	
14	00002583	Flat Washer GB/T 96.1 6	4	
15	50000112	Nut QC/T 885 M6	4	
16	50008731	Cover	1	
17	00000615	Flat Washer GB/T 97.1 10	4	
18	92101175	Housing	2	
19	92100534	Charger Indicator	1	
20	00000612	Screw GB/T 818 M5 × 20 - H	4	
21	10000537	Half Round Batten	2	
22	00000613	Nut GB/T 6182 M5	4	
23	00000605	Flat Washer GB/T 97.1 5	4	

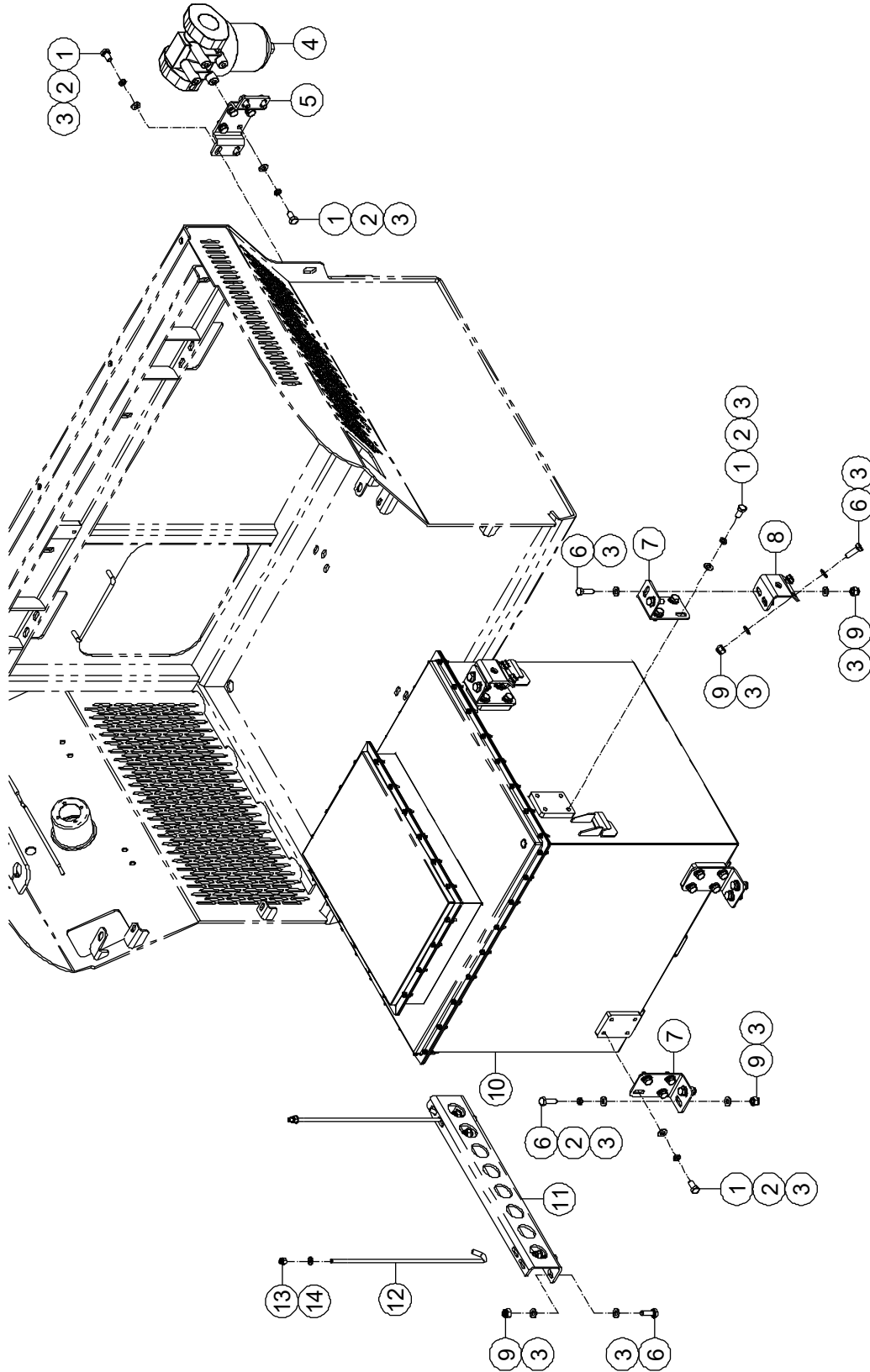
1-12 Battery Module Assembly 2 (Lead-acid Battery) (BA22CERT2, BA20CERT2)



1-12 Battery Module Assembly 2 (Lead-acid Battery) (BA22CERT2, BA20CERT2)

Item	Part Number	Description	Qty.	Remark
1	00000674	Bolt GB/T 5783 M10 × 20	24	
2	00000679	Spring Washer GB/T 93 10	24	
3	00000615	Flat Washer GB/T 97.1 10	56	
4	00001871	Pressure Filter	1	
5	92000113	Support	1	
6	00000683	Bolt GB/T 5783 M10 × 30	16	
7	92100560	Support	4	
8	92100941	Support	4	
9	00000623	Nut GB/T 6182 M10	16	
10	00012392	Lead-acid Battery	1	

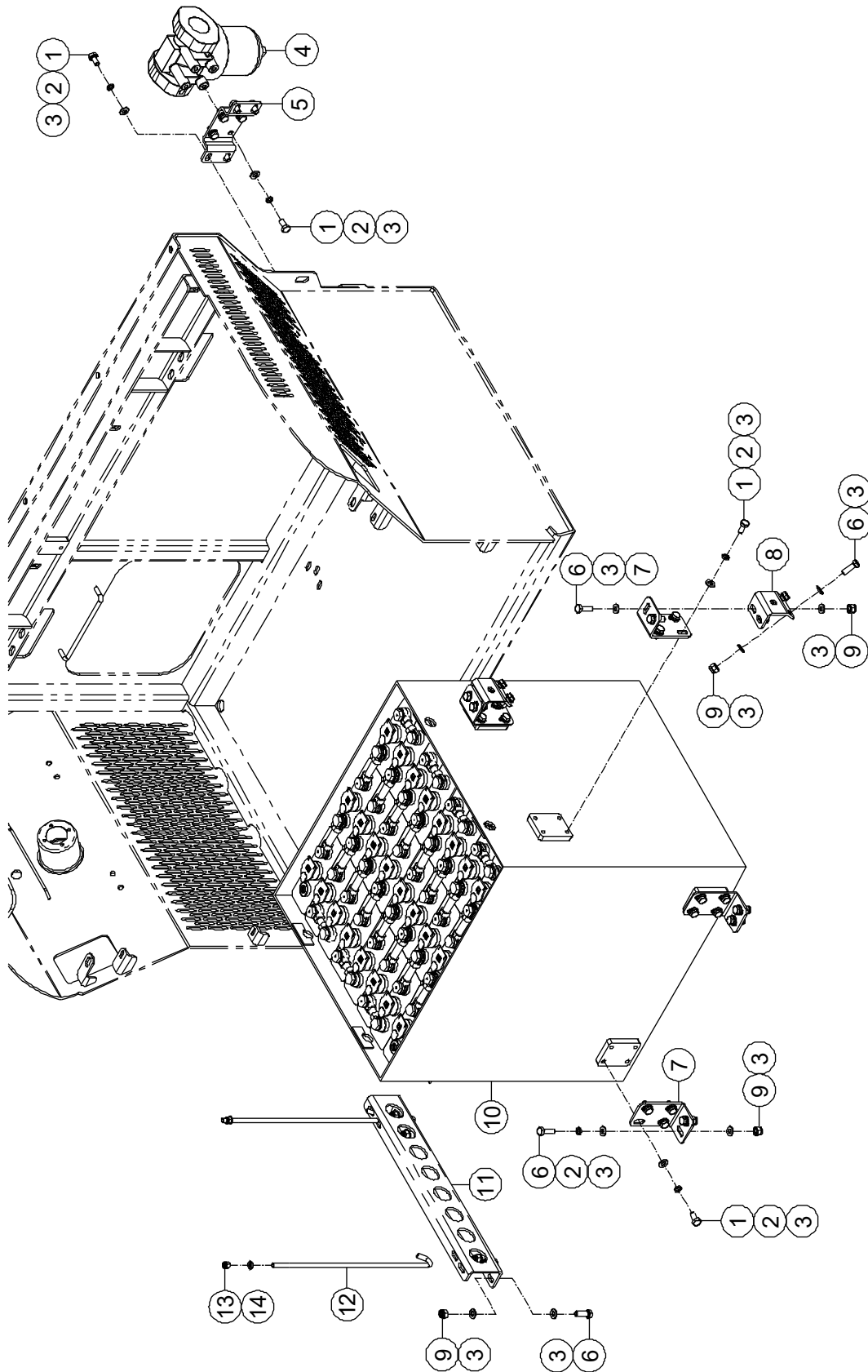
1-13 Battery Module Assembly 2 (Lithium Battery) (BA22CERT2, BA20CERT2)



1-13 Battery Module Assembly 2 (Lithium Battery) (BA22CERT2, BA20CERT2)

Item	Part Number	Description	Qty.	Remark
1	00000674	Bolt GB/T 5783 M10 × 20	24	
2	00000679	Spring Washer GB/T 93 10	28	
3	00000615	Flat Washer GB/T 97.1 10	60	
4	00001871	Pressure Filter	1	
5	92000113	Support	1	
6	00000683	Bolt GB/T 5783 M10 × 30	18	
7	92100560	Support	4	
8	92100941	Support	2	
9	00000623	Nut GB/T 6182 M10	18	
10	00012391	Lithium Battery	1	
11	50011687	Support	1	
12	50000488	Rod, Hold-Down	2	
13	00001163	Nut GB/T 6182 M8	2	
14	00000608	Flat Washer GB/T 97.1 8	2	

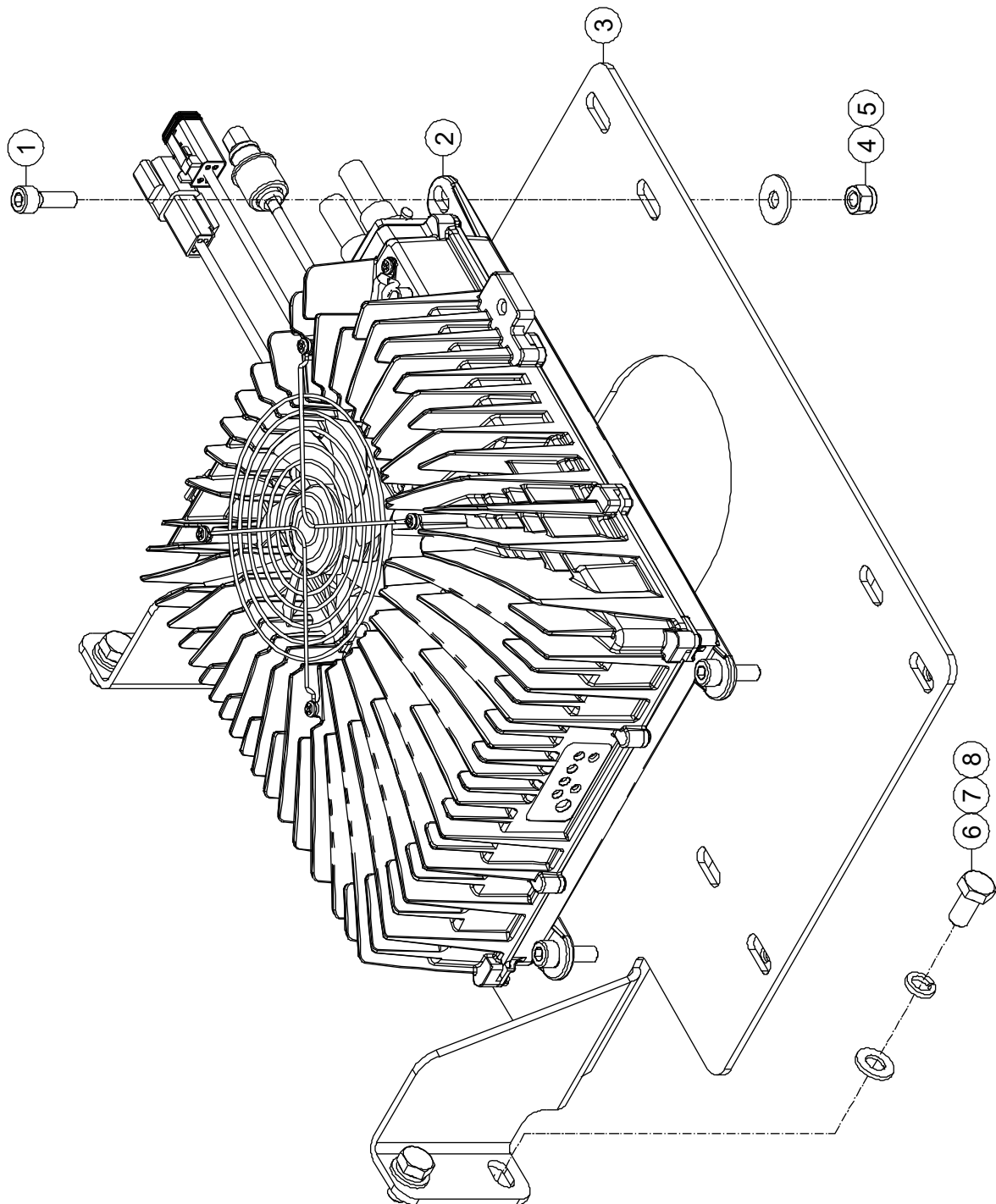
1-14 Battery Module Assembly 2 (BA18CERT2, BA16CERT2)



1-14 Battery Module Assembly 2 (BA18CERT2, BA16CERT2)

Item	Part Number	Description	Qty.	Remark
1	00000674	Bolt GB/T 5783 M10 × 20	24	
2	00000679	Spring Washer GB/T 93 10	28	
3	00000615	Flat Washer GB/T 97.1 10	60	
4	00001871	Pressure Filter	1	
5	92000113	Support	1	
6	00000683	Bolt GB/T 5783 M10 × 30	18	
7	92100560	Support	4	
8	92100941	Support	2	
9	00000623	Nut GB/T 6182 M10	18	
10	00010417	Lead-acid Battery	1	Standard
	00010789	Lithium Battery	1	Optional
11	50011687	Support	1	
12	50000488	Rod, Hold-Down	2	
13	00001163	Nut GB/T 6182 M8	2	
14	00000608	Flat Washer GB/T 97.1 8	2	

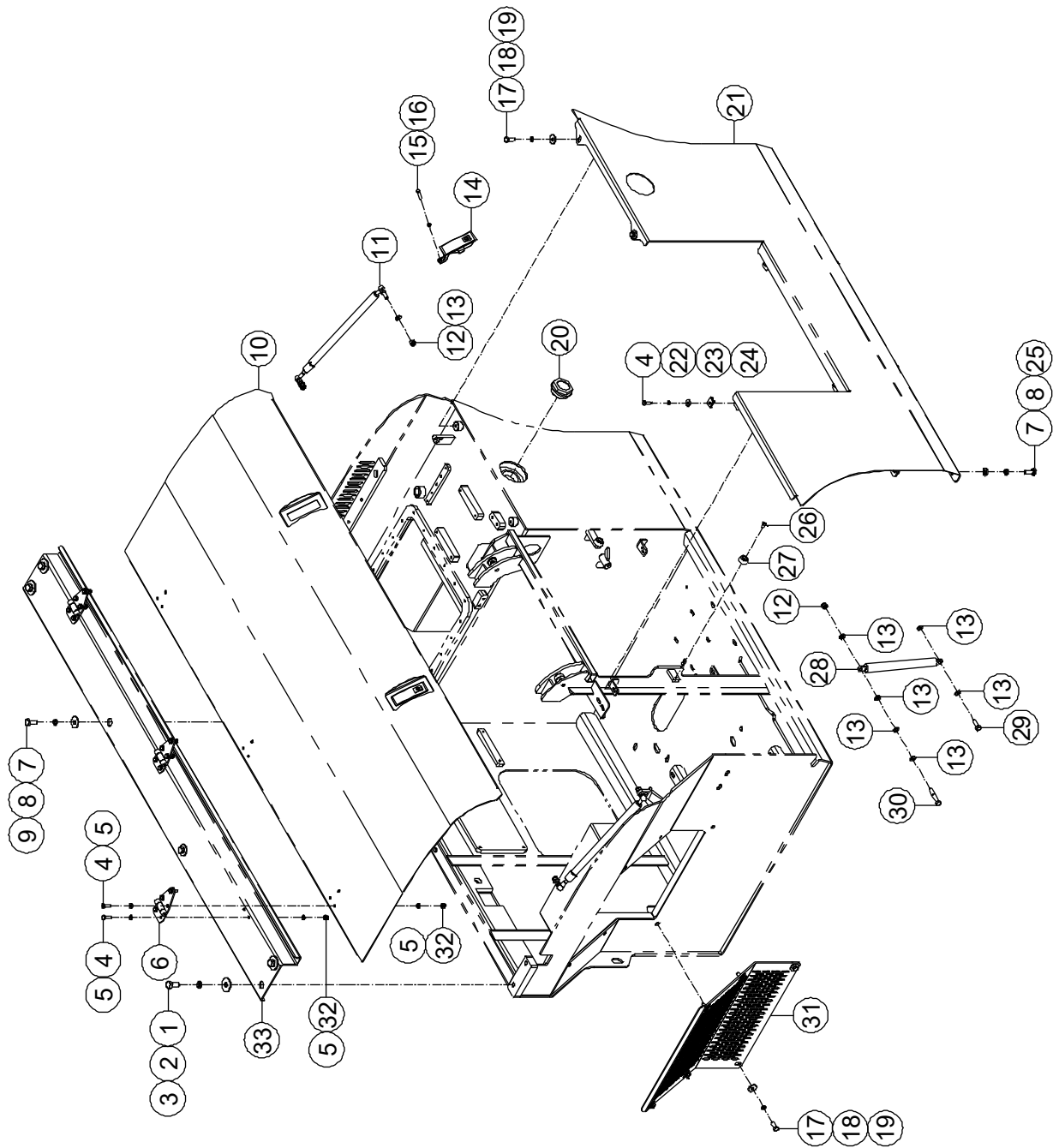
1-15 Charger Assembly with Bracket



1-15 Charger Assembly with Bracket

Item	Part Number	Description	Qty.	Remark
1	00002555	Screw GB/T 70 M8 × 25	4	
2	00009651	Charger	1	
3	50008738	Bracket, Charger	1	
4	00001163	Nut GB/T 6182 M8	4	
5	00002000	Flat Washer GB/T 96.1 8	4	
6	00000674	Bolt GB/T 5783 M10 × 20	4	
7	00000679	Spring Washer GB/T 93 10	4	
8	00000615	Flat Washer GB/T 97.1 10	4	

1-16 Hydraulic Module Assembly 1



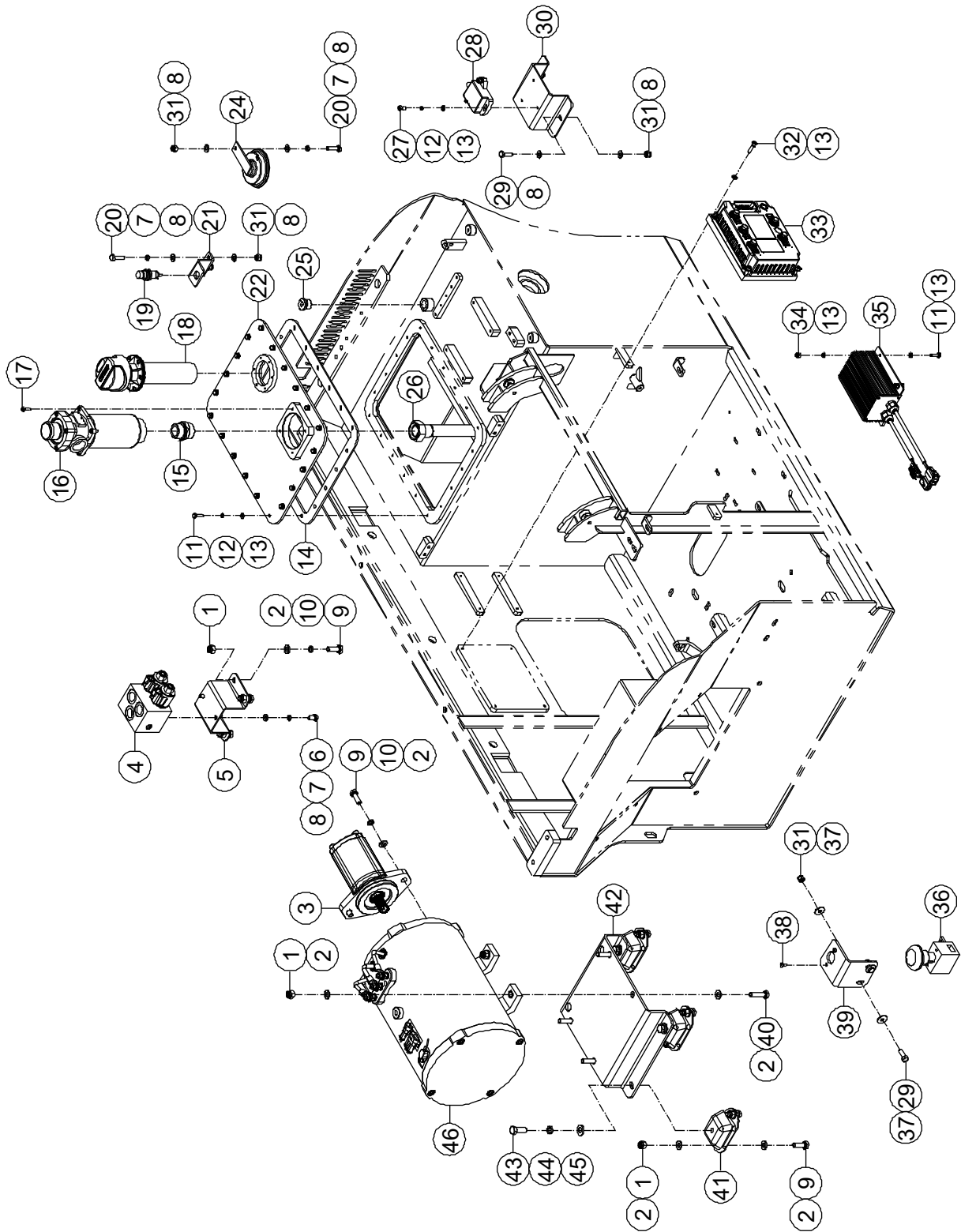
1-16 Hydraulic Module Assembly 1

Item	Part Number	Description	Qty.	Remark
1	00000816	Bolt GB/T 5783 M12 × 25	4	
2	00000815	Spring Washer GB/T 93 12	4	
3	00002601	Flat Washer GB/T 96.1 12	4	
4	00000743	Bolt GB/T 5783 M6 × 20	20	
5	00000620	Flat Washer GB/T 97.1 6	30	
6	92000359	Hinge	3	
7	00000678	Bolt GB/T 5783 M10 × 25	6	
8	00000679	Spring Washer GB/T 93 10	6	
9	00001028	Flat Washer GB/T 96.1 10	2	
10	50008714	Cover	1	
11	50008871	Spring, Gas	2	
12	00001163	Nut GB/T 6182 M8	5	
13	00000608	Flat Washer GB/T 97.1 8	10	
14	92048979	Lock	2	
15	00006261	Bolt GB/T 5783 M5 × 35	2	
16	00000688	Nut GB/T 6170 M5	2	
17	00000875	Bolt GB/T 5783 M8 × 20	8	
18	00000609	Spring Washer GB/T 93 8	8	
19	00002000	Flat Washer GB/T 96.1 8	8	
20	90015911	Level Indicator	1	
21	50008709	Cover	1	
22	00000621	Spring Washer GB/T 93 6	5	
23	00002583	Flat Washer GB/T 96.1 6	5	
24	50000112	Nut QC/T 885 M6	5	
25	00000615	Flat Washer GB/T 97.1 10	4	
26	00001011	Screw GB/T 973 M5×12	2	
27	10000376	Seal	2	
28	92004808	Spring, Gas	1	
29	00000993	Bolt GB/T 5783 M8 × 25	1	

1-16 Hydraulic Module Assembly 1 (Continued)

Item	Part Number	Description	Qty.	Remark
30	00002089	Bolt GB/T 5782 M8 × 50	1	
31	92101745	Housing	1	
32	00001033	Nut GB/T 6182 M6	15	
33	50008711	Cover	1	

1-17 Hydraulic Module Assembly 2



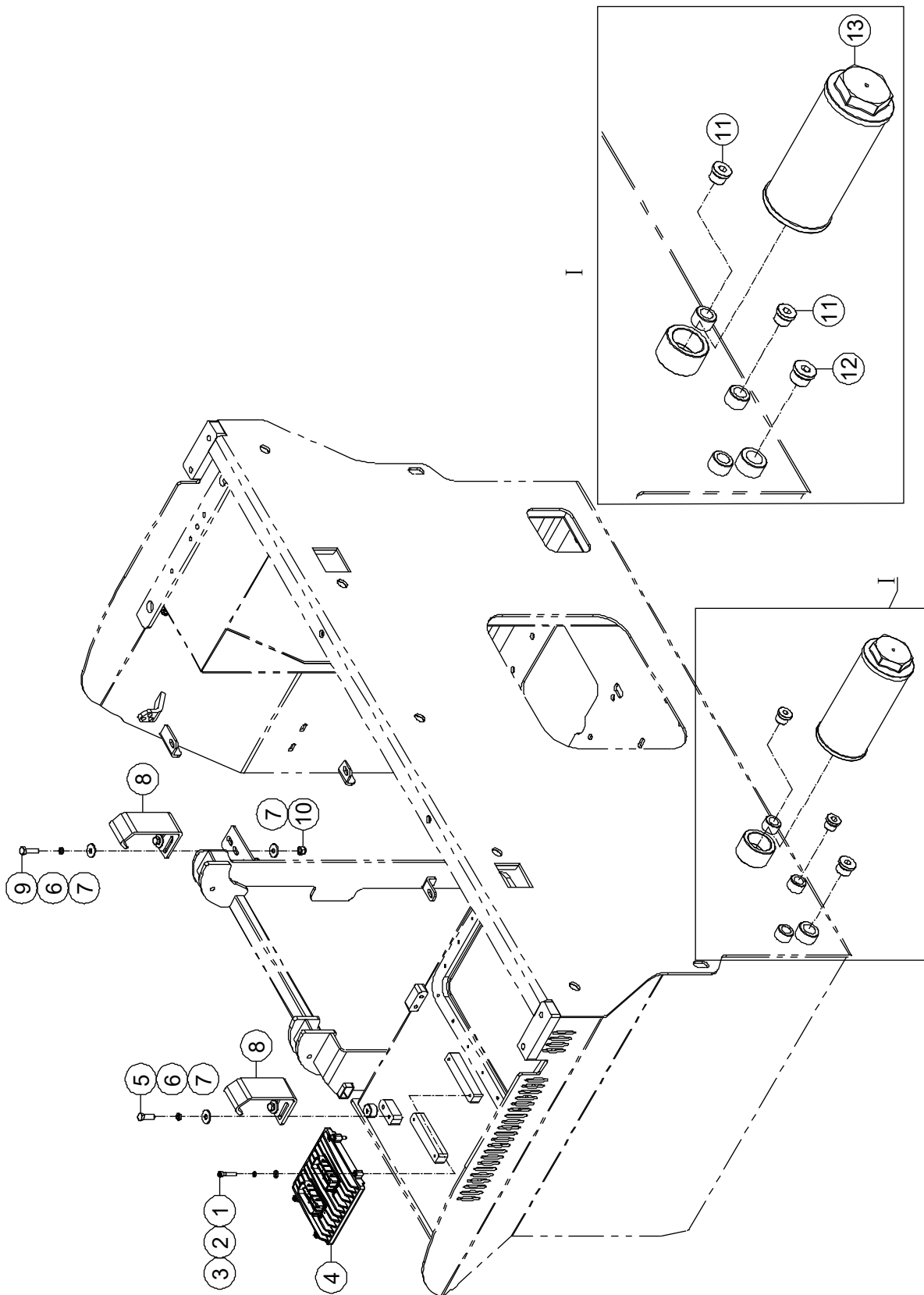
1-17 Hydraulic Module Assembly 2

Item	Part Number	Description	Qty.	Remark
1	00000623	Nut GB/T 6182 M10	16	
2	00000615	Flat Washer GB/T 97.1 10	30	
3	00007282	Pump	1	
4	00010658	Unloading Valve (Refer to 1-17)	1	
5	50008801	Bracket	1	
6	00001063	Bolt GB/T 5783 M8 × 16	2	
7	00000609	Spring Washer GB/T 93 8	5	
8	00000608	Flat Washer GB/T 97.1 8	12	
9	00000683	Bolt GB/T 5783 M10 × 30	14	
10	00000679	Spring Washer GB/T 93 10	6	
11	00000743	Bolt GB/T 5783 M6 × 20	24	
12	00000621	Spring Washer GB/T 93 6	23	
13	00000620	Flat Washer GB/T 97.1 6	35	
14	50001438	Seal	1	
15	00002071	Fitting, Straight	1	
16	00003113	Filter, Return Oil	1	
17	00001246	Screw GB/T 70 M5 × 16	4	
18	90012734	Vent Plug	1	
19	00007341	Switch, Limit	1	
20	00000995	Bolt GB/T 5783 M8 × 30	3	
21	50000516	Support	1	
22	50008707	Cover	1	
23	00002212	Horn	1	
24	00001114	Plug	1	
25	10000069	Hoses, steel	1	
26	00002029	Screw GB/T 70 M6 × 12	3	
27	00002917	Tilt Sensor	1	
28	00000993	Bolt GB/T 5783 M8 × 25	4	
29	00000623	Nut GB/T 6182 M10	16	

1-17 Hydraulic Module Assembly 2 (Continued)

Item	Part Number	Description	Qty.	Remark
30	50005363	Bracket, Sensor	1	
31	00001163	Nut GB/T 6182 M8	7	
32	00001034	Screw GB/T 70 M6 × 25	4	
33	00007246	Pump Controller	1	
34	00001033	Nut GB/T 6182 M6	4	
35	00010703	Dc Power Supply	1	
36	00000655	Switch	1	
37	00002000	Flat Washer GB/T 96.1 8	4	
38	00002319	Screw GB/T 818 M5 × 10 - H	2	
39	92102151	Support	1	
40	00001041	Bolt GB/T 5783 M10 × 40	4	
41	92100536	Rubber Mounting	4	
42	50005742	Support	1	
43	00002059	Bolt GB/T 5783 M12 × 30	4	
44	00000815	Spring Washer GB/T 93 12	4	
45	00000814	Flat Washer GB/T 97.1 12	4	
46	00007245	Motor Assembly	1	

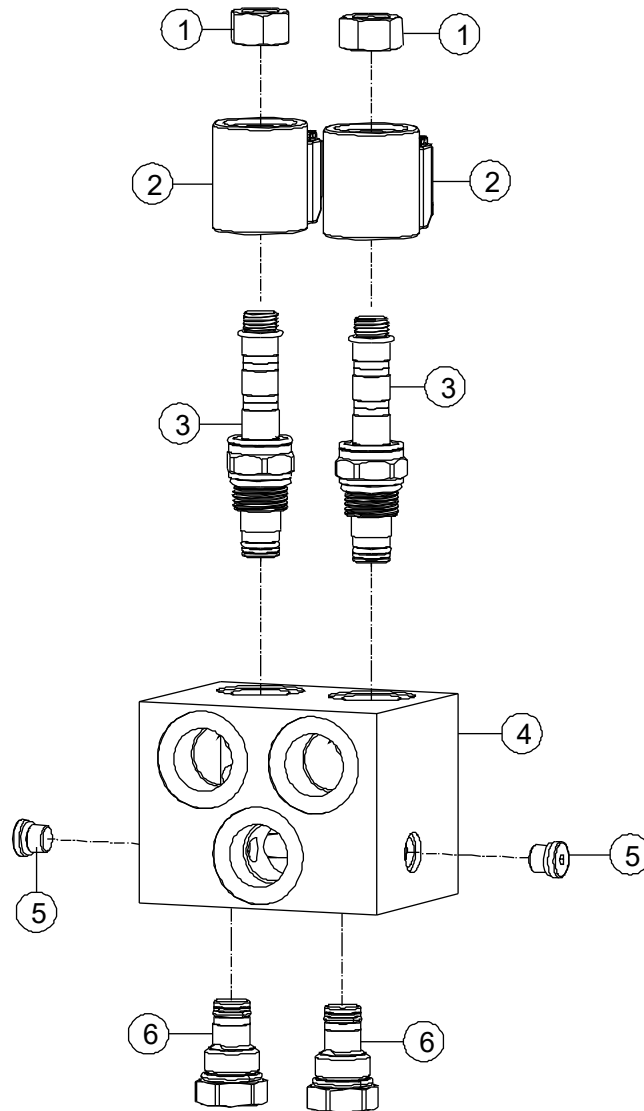
1-18 Hydraulic Module Assembly 3



1-18 Hydraulic Module Assembly 3

Item	Part Number	Description	Qty.	Remark
1	00001042	Screw GB/T 70 M6 × 30	4	
2	00000621	Spring Washer GB/T 93 6	4	
3	00000620	Flat Washer GB/T 97.1 6	4	
4	85000140	Controller	1	
5	00000993	Bolt GB/T 5783 M8 × 25	2	
6	00000609	Spring Washer GB/T 93 8	4	
7	00002000	Flat Washer GB/T 96.1 8	6	
8	92101747	Plate	2	
9	00000995	Bolt GB/T 5783 M8 × 30	2	
10	00001163	Nut GB/T 6182 M8	2	
11	00001114	Plug	2	
12	00001115	Plug	1	
13	90029476	Filter Cartridge	1	

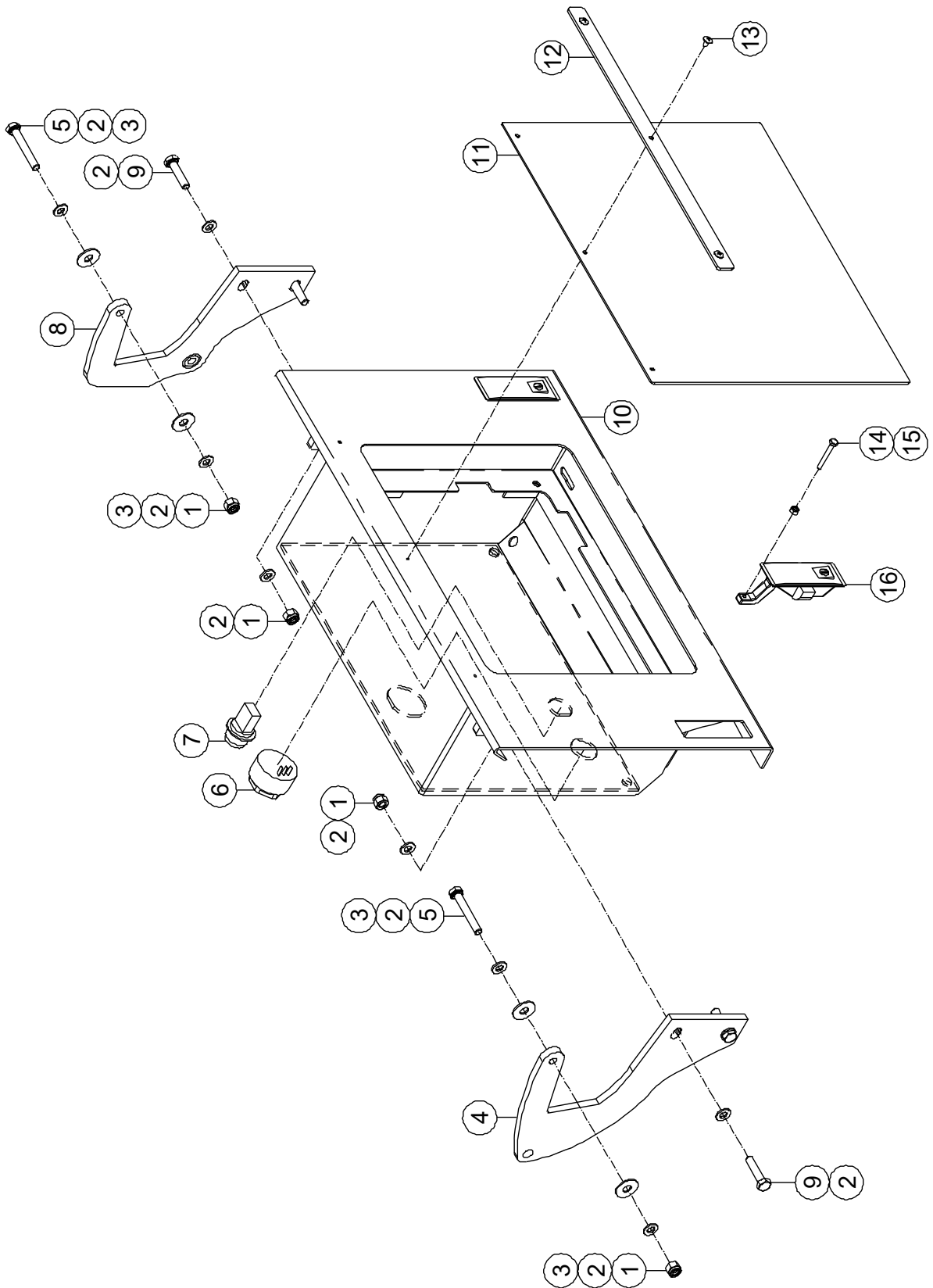
1-19 Unloading Valve



1-19 Unloading Valve

Item	Part Number	Description	Qty.	Remark
1	00006765	Nut	2	
2	00006739	Coil	2	
3	00006797	Cartridge, Solenoid Valve	2	
4	00010774	Body	1	
5	00002997	Plug	2	
6	10000404	Cartridge, Check Valve	2	

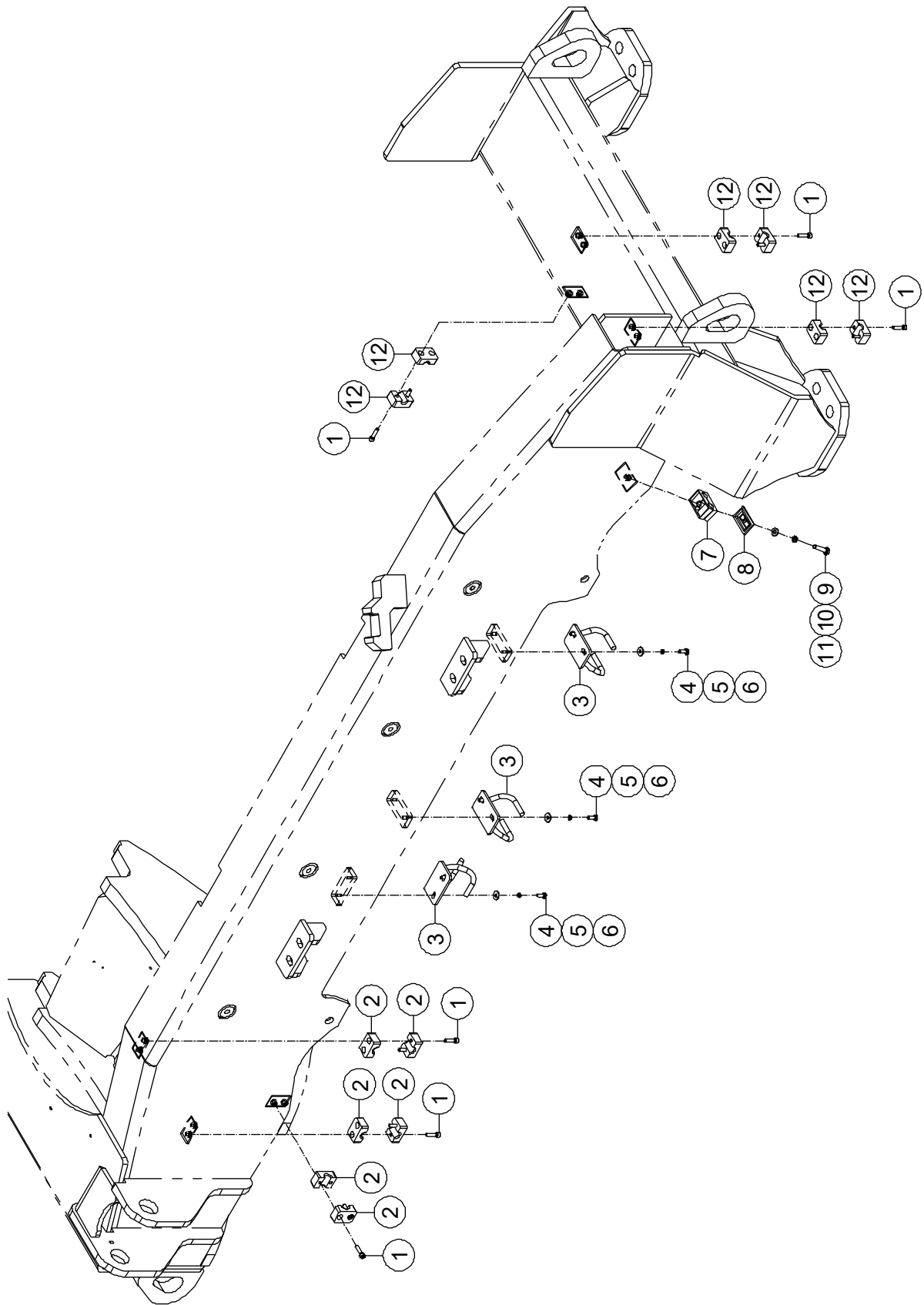
1-20 Ground Control Box Assembly



1-20 Ground Control Box Assembly

Item	Part Number	Description	Qty.	Remark
1	00001163	Nut GB/T 6182 M8	6	
2	00000608	Flat Washer GB/T 97.1 8	12	
3	92048976	Shim	4	
4	92101738	Hinge	1	
5	00002507	Bolt GB/T 5783 M8 × 55	2	
6	00002326	Alarm	1	
7	00006260	USB Port	1	
8	92100576	Hinge	1	
9	00002488	Bolt GB/T 5783 M8 × 35	4	
10	92048954	Ground Control Box	1	
11	92000277	Shield, Plastic	1	
12	92000278	Plate	1	
13	00001001	Screw GB/T 973 M4×8	3	
14	00006261	Bolt GB/T 5783 M5 × 35	2	
15	00000688	Nut GB/T 6170 M5	2	
16	92048979	Lock	2	

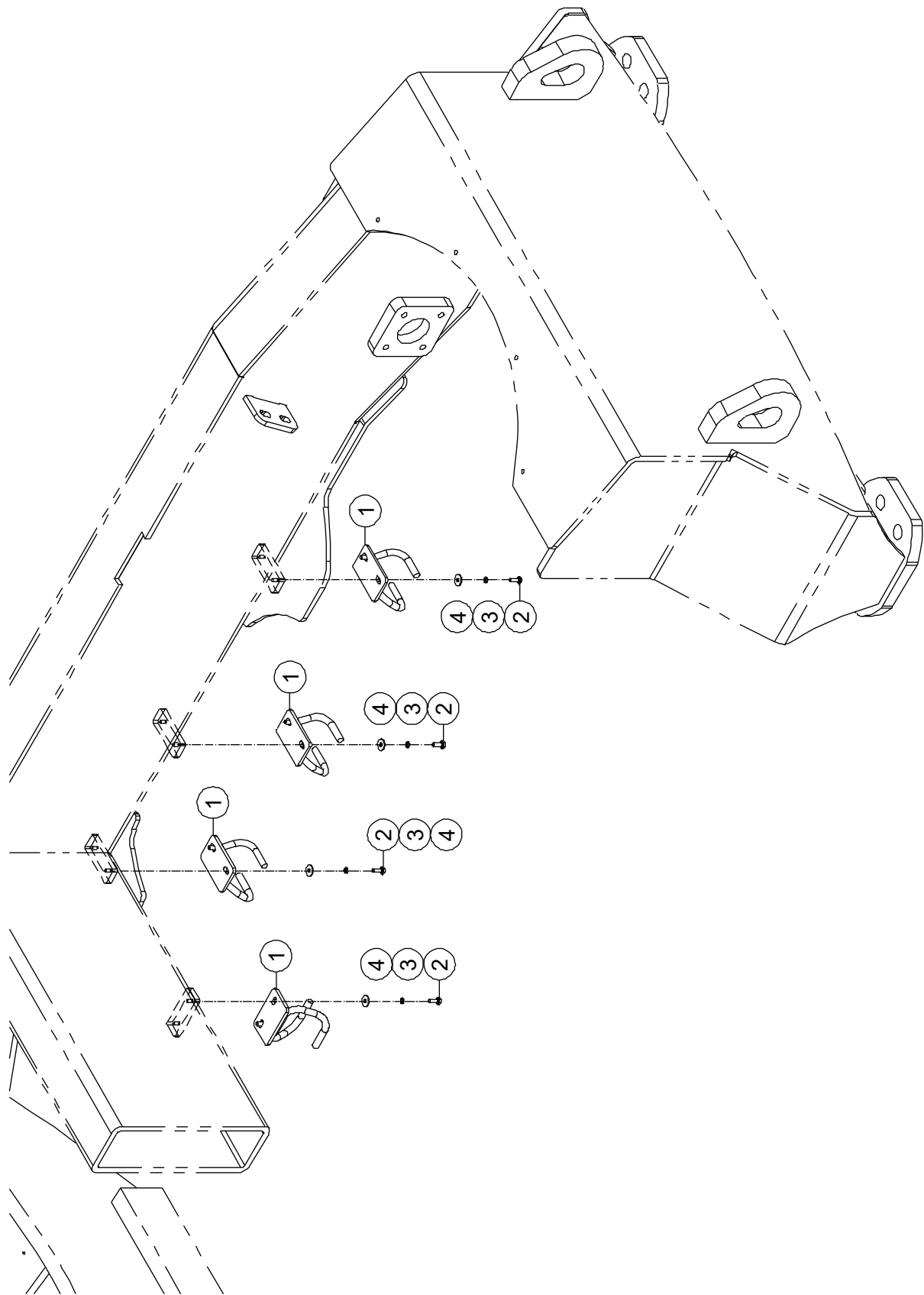
1-21 Chassis Clamp Installations 1



1-21 Chassis Clamp Installations 1

Item	Part Number	Description	Qty.	Remark
1	00001034	Screw GB/T 70 M6 × 25	12	
2	90001755	Clamp	6	
3	92049063	Support Tubes	3	
4	00000818	Bolt GB/T 5783 M6 × 16	6	
5	00000621	Spring Washer GB/T 93 6	6	
6	00002583	Flat Washer GB/T 96.1 6	6	
7	00008962	Clamp	1	
8	90001243	Spacer	1	
9	00002488	Bolt GB/T 5783 M8 × 35	1	
10	00000609	Spring Washer GB/T 93 8	1	
11	00000608	Flat Washer GB/T 97.1 8	1	
12	50007644	Clamp	6	

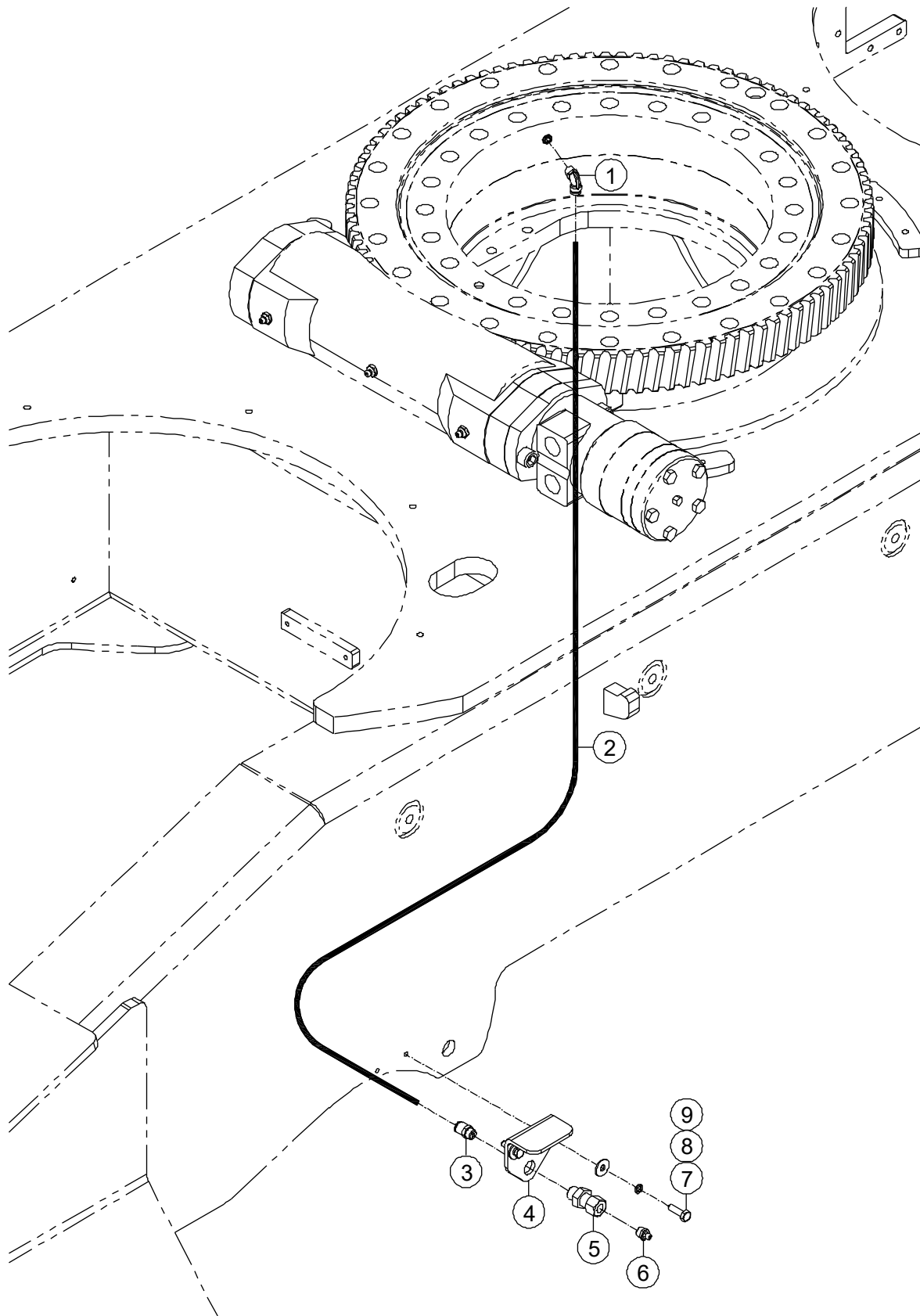
1-22 Chassis Clamp Installations 2



1-22 Chassis Clamp Installations 2

Item	Part Number	Description	Qty.	Remark
1	92049063	Support Tubes	4	
2	00000818	Bolt GB/T 5783 M6 × 16	8	
3	00000621	Spring Washer GB/T 93 6	8	
4	00002583	Flat Washer GB/T 96.1 6	8	

1-23 Grease System Installations

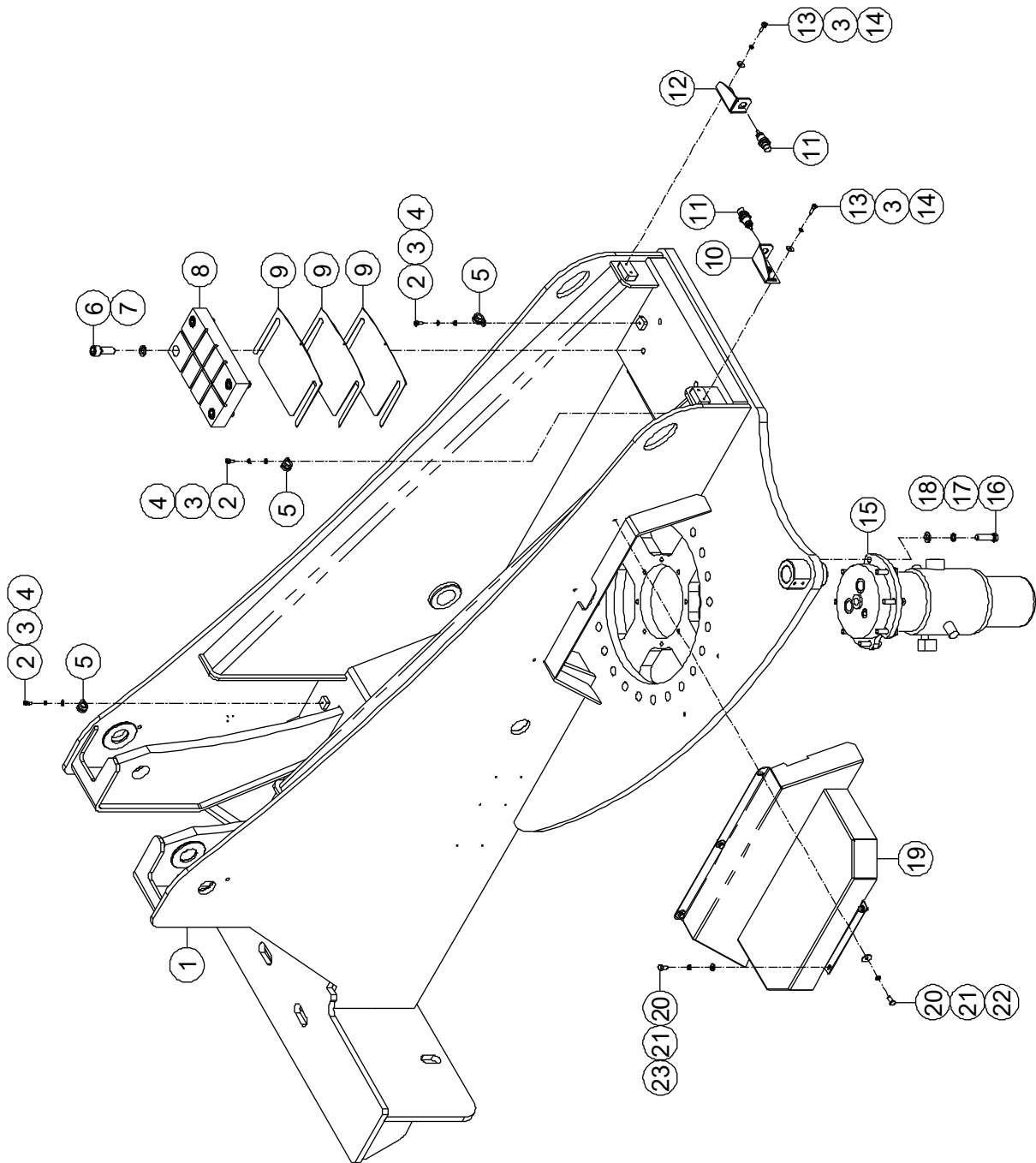


1-23 Grease System Installations

Item	Part Number	Description	Qty.	Remark
1	50010190	Fitting, 90°	1	
2	50010191	Hose	1	
3	93300963	Fitting	1	
4	92102219	Support	1	
5	93000115	Fitting	1	
6	93300962	Grease Nipple	1	
7	00000743	Bolt GB/T 5783 M6 × 20	2	
8	00000621	Spring Washer GB/T 93 6	2	
9	00002583	Flat Washer GB/T 96.1 6	2	

Section 2 Turntable

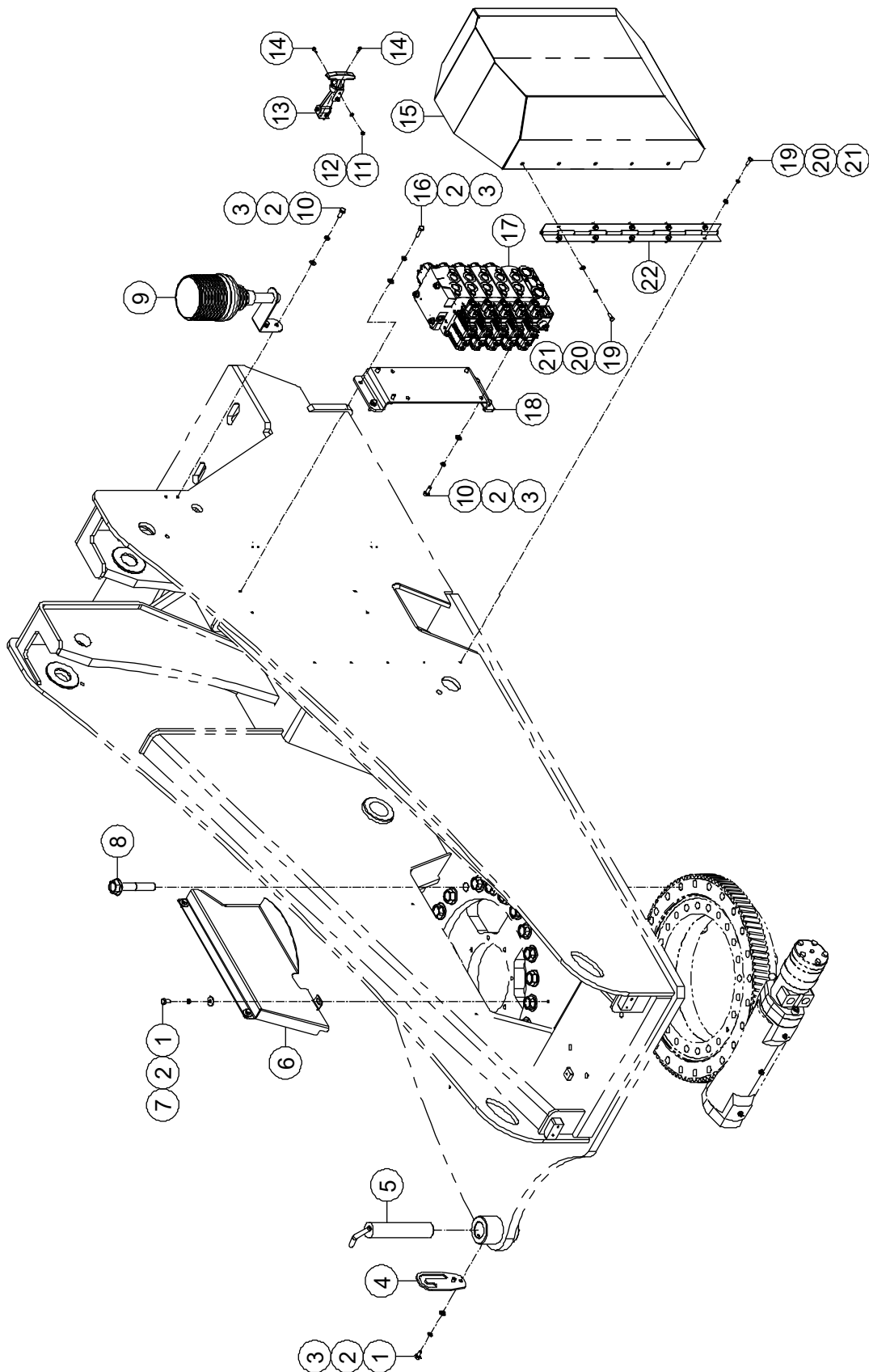
2-1 Turntable Accessories Installations 1



2-1 Turntable Accessories Installations 1

Item	Part Number	Description	Qty.	Remark
1	50008383	Turntable	1	BA22CERT2
	50008244	Turntable	1	BA20CERT2
	50008273	Turntable	1	BA18CERT2
	50009335	Turntable	1	BA16CERT2
2	00000876	Screw GB/T 70 M6 × 16	3	
3	00000621	Spring Washer GB/T 93 6	7	
4	00000620	Flat Washer GB/T 97.1 6	3	
5	92100579	Clamp	3	
6	00002460	Screw GB/T 70 M16 × 45	4	
7	00001035	Spring Washer GB/T 93 16	4	
8	50000102	Boom Pad	1	
9	50002733	Shim	3	
10	92048978	Support	1	
11	00006642	Proximity Switch	2	
12	92048990	Support	1	
13	00000774	Screw GB/T 70 M6 × 20	4	
14	00002583	Flat Washer GB/T 96.1 6	4	
15	00009647	Rotary Coupling Assembly	1	
16	00001856	Bolt GB/T 5783 M12 × 50	8	
17	00000815	Spring Washer GB/T 93 12	8	
18	00000814	Flat Washer GB/T 97.1 12	8	
19	50008242	Cover	1	
20	00001063	Bolt GB/T 5783 M8 × 16	5	
21	00000609	Spring Washer GB/T 93 8	5	
22	00002000	Flat Washer GB/T 96.1 8	3	
23	00000608	Flat Washer GB/T 97.1 8	2	

2-2 Turntable Accessories Installations 2



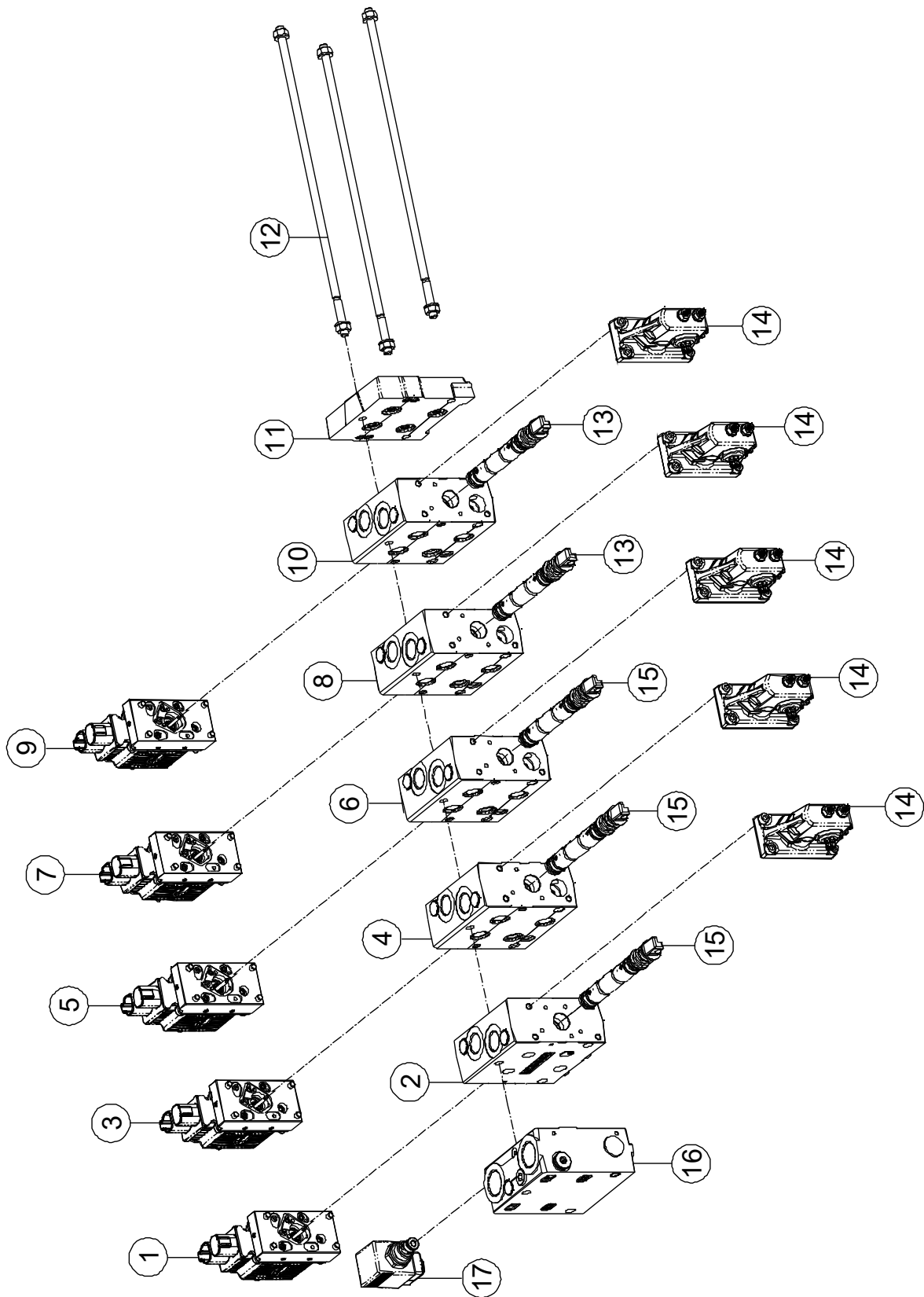
2-2 Turntable Accessories Installations 2

Item	Part Number	Description	Qty.	Remark
1	00001063	Bolt GB/T 5783 M8 × 16	5	BA22CERT2 BA20CERT2
	00001063	Bolt GB/T 5783 M8 × 16	2	BA18CERT2 BA16CERT2
2	00000609	Spring Washer GB/T 93 8	15	BA22CERT2 BA20CERT2
	00000609	Spring Washer GB/T 93 8	12	BA18CERT2 BA16CERT2
3	00000608	Flat Washer GB/T 97.1 8	12	
4	92029902	Block	1	
5	50007936	Pin	1	
6	50008693	Cover	1	BA22CERT2 BA20CERT2
7	00002000	Flat Washer GB/T 96.1 8	3	BA22CERT2 BA20CERT2
8	00010664	Bolt GB/T 5789 M20 × 120	24	BA22CERT2
	00010362	Bolt GB/T 5789 M20 × 110	24	BA20CERT2 BA18CERT2 BA16CERT2
9	00003165	Beacon	1	
10	00000875	Bolt GB/T 5783 M8 × 20	6	
11	00001236	Nut GB/T 889.1 M4	4	
12	00000778	Flat Washer GB/T 97.1 4	4	
13	50000822	Latch	2	
14	00001054	Screw GB/T 70 M4 × 12	10	
15	50008315	Housing	1	
16	00000993	Bolt GB/T 5783 M8 × 25	4	
17	00010666	PVG Valve Block (<i>Refer to 2-3</i>)	1	Standard
	00011219	PVG Valve Block (<i>Refer to 2-4</i>)	1	Optional
18	50008271	Support	1	
19	00000818	Bolt GB/T 5783 M6 × 16	10	
20	00000621	Spring Washer GB/T 93 6	10	
21	00000620	Flat Washer GB/T 97.1 6	10	

2-2 Turntable Accessories Installations 2 (Continued)

Item	Part Number	Description	Qty.	Remark
22	50008319	Hinge	1	

2-3 PVG Valve Block (Standard)



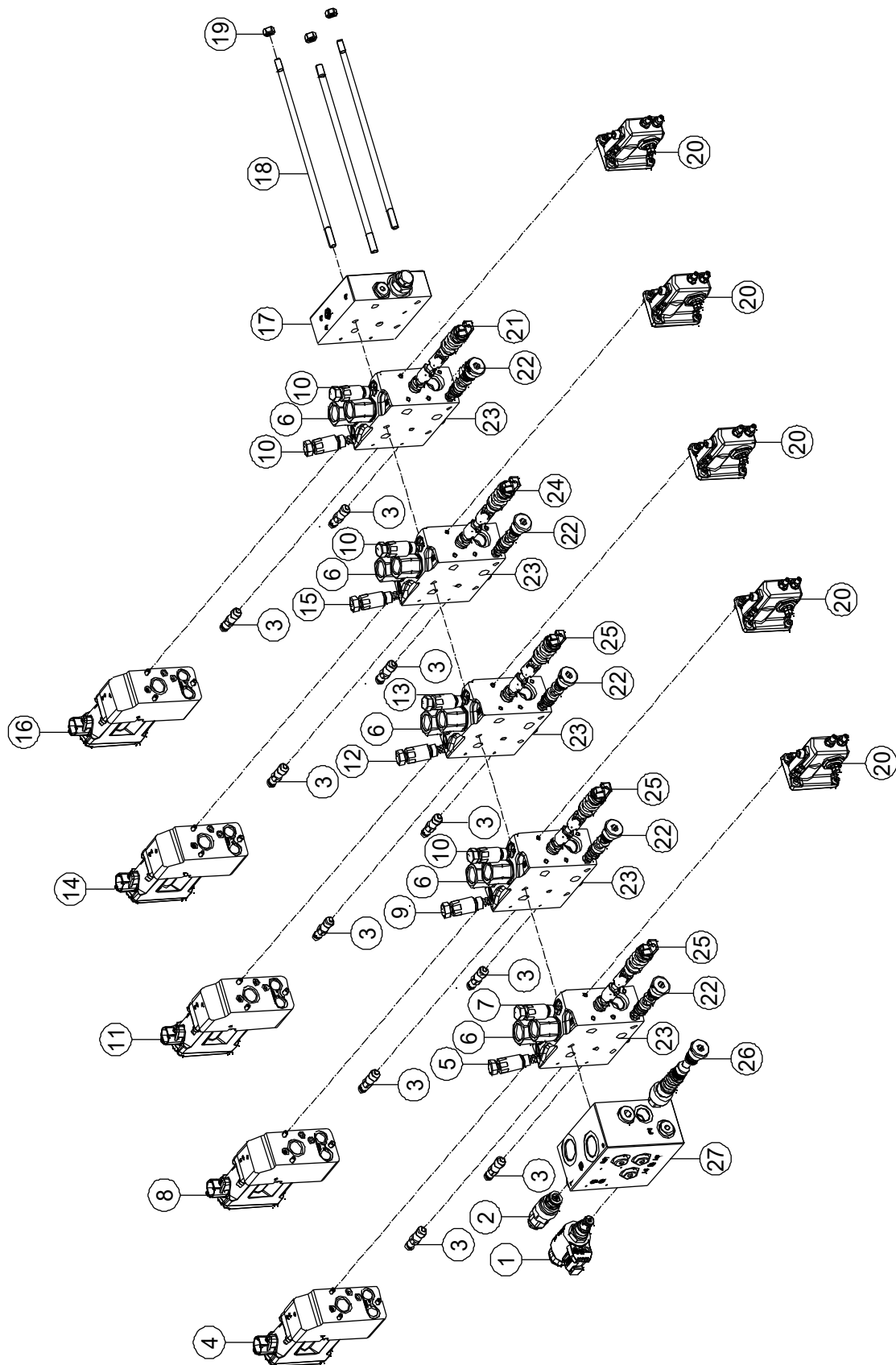
2-3 PVG Valve Block (Standard)

Item	Part Number	Description	Qty.	Remark
1	00011001	PVED, Electric Control Unit	1	
--	00011035	Seal Kit	1	
2	00010974	PVB, Work Unit	1	
--	00011033	Seal Kit	1	
3	00011002	PVED, Electric Control Unit	1	
--	00011035	Seal Kit	1	
4	00011053	PVB, Work Unit	1	
--	00011033	Seal Kit	1	
5	00011003	PVED, Electric Control Unit	1	
--	00011035	Seal Kit	1	
6	00010977	PVB, Work Unit	1	
--	00011033	Seal Kit	1	
7	00011000	PVED, Electric Control Unit	1	
--	00011035	Seal Kit	1	
8	00010978	PVB, Work Unit	1	
--	00011033	Seal Kit	1	
9	00011004	PVED, Electric Control Unit	1	
--	00011035	Seal Kit	1	
10	00010975	PVB, Work Unit	1	
--	00011033	Seal Kit	1	
11	00011021	PVSI, Cover	1	
12	00011026	PVAS, Bolt	1	
13	00011020	PVBS, Directional Cartridge	2	
14	00011012	PVM, Manual Unit	5	
--	00011036	Seal Kit	5	
15	00011014	PVBS, Directional Cartridge	3	
16	00010971	PVP, Inlet Unit	1	
--	00011034	Seal Kit	1	
17	00011031	PVPX, Load Relief	1	

2-3 PVG Valve Block (Standard) (Continued)

Item	Part Number	Description	Qty.	Remark
--	00011032	Seal Kit	1	

2-4 PVG Valve Block (Optional)



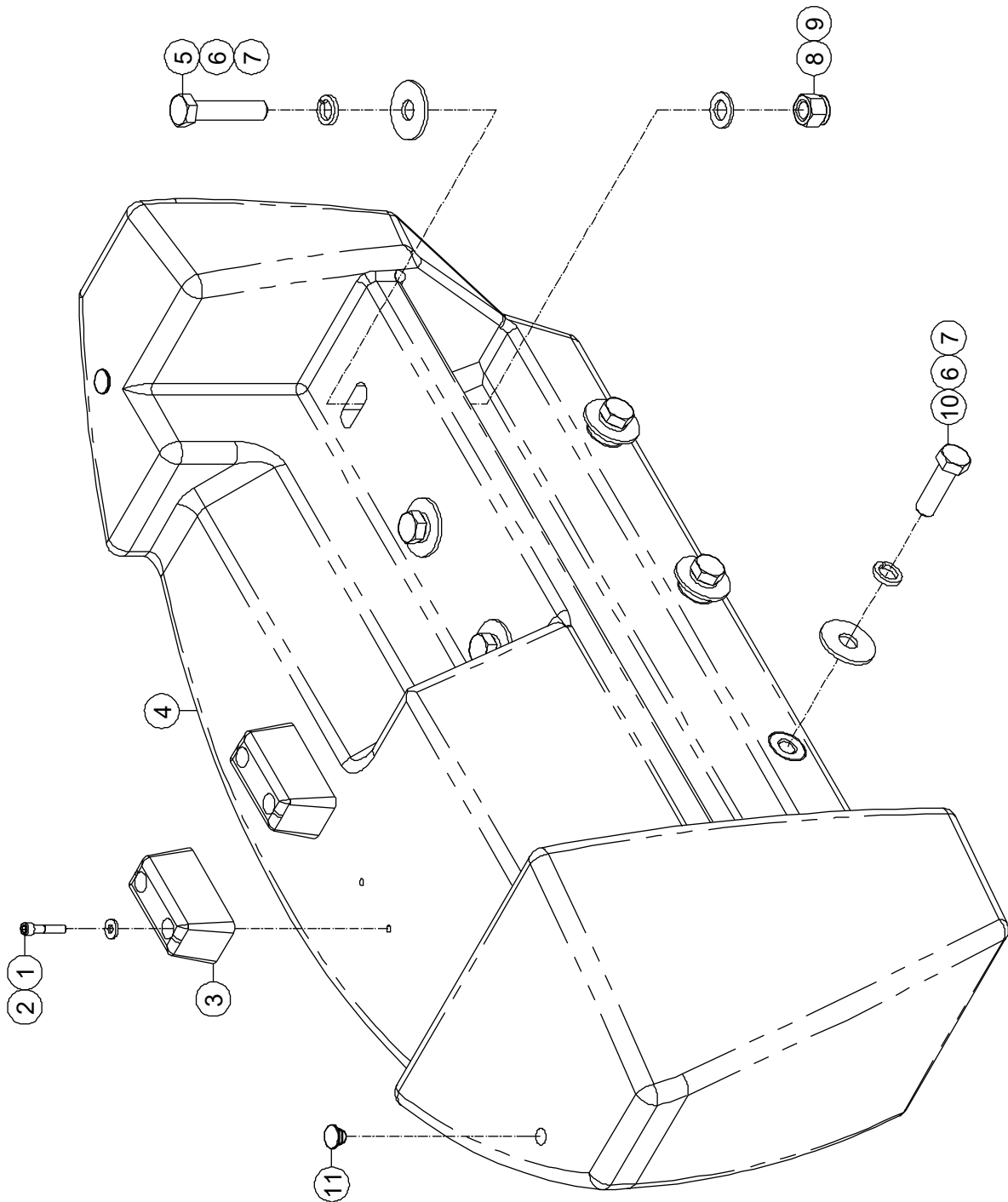
2-4 PVG Valve Block (Optional)

Item	Part Number	Description	Qty.	Remark
1	00011989	Cartridge, Solenoid Valve	1	
2	00011988	Cartridge, Safe Valve	1	
3	00011987	Plug	10	
4	00012011	Electric Control Unit	1	
--	00011994	Seal Kit	1	
5	00011985	Cartridge, Relief Valve	1	
6	00011984	Fittings	10	
7	00011983	Cartridge, Relief Valve	1	
8	00011982	Electric Control Unit	1	
--	00011994	Seal Kit	1	
9	00011981	Cartridge, Relief Valve	1	
10	00011980	Cartridge, Relief Valve	4	
11	00012010	Electric Control Unit	1	
--	00011994	Seal Kit	1	
12	00011978	Cartridge, Relief Valve	1	
13	00011977	Cartridge, Relief Valve	1	
14	00012009	Electric Control Unit	1	
--	00011994	Seal Kit	1	
15	00011975	Cartridge, Relief Valve	1	
16	00012008	Electric Control Unit	1	
--	00011994	Seal Kit	1	
17	00011970	Cover	1	
--	00011993	Seal Kit	1	
18	00011969	Bolt	3	
19	00011968	Nut	3	
20	00011967	Manual Unit	5	
--	00011992	Seal Kit	5	
21	00011966	Directional Cartridge	1	
22	00011965	Cartridge, Pressure-Compensated	5	

2-4 PVG Valve Block (Optional) (Continued)

Item	Part Number	Description	Qty.	Remark
23	00011964	Work Unit	5	
--	00011991	Seal Kit	5	
24	00011963	Directional Cartridge	1	
25	00011962	Directional Cartridge	3	
26	00011961	Cartridge, UNLOAD	1	
27	00011960	Inlet Unit	1	
--	00011990	Seal Kit	1	

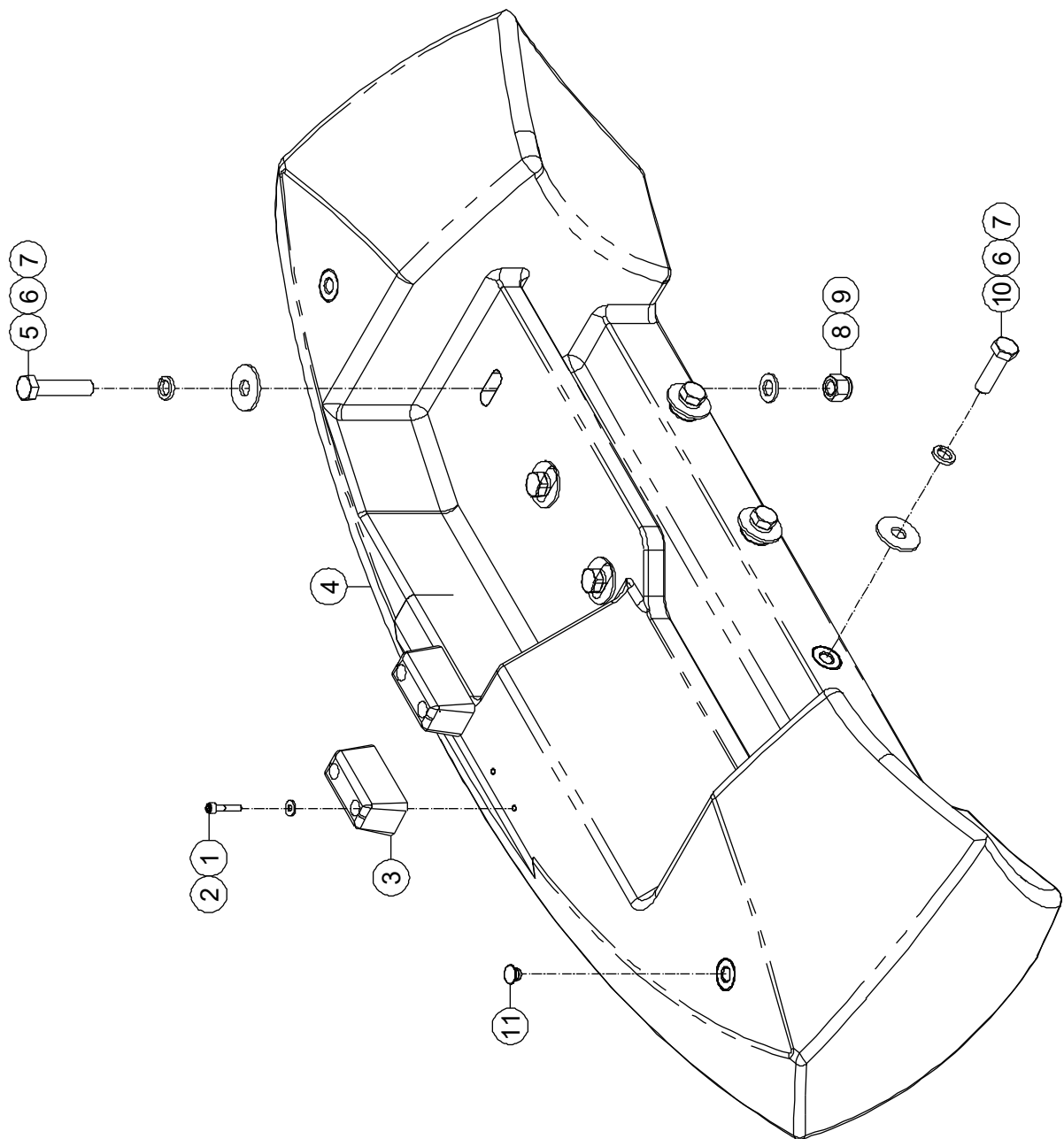
2-5 Counterweight Installations (BA22CERT2, BA18CERT2, BA16CERT2)



2-5 Counterweight Installations (BA22CERT2, BA18CERT2, BA16CERT2)

Item	Part Number	Description	Qty.	Remark
1	00001251	Screw GB/T 70 M10 × 50	4	
2	92100049	Washer	4	
3	10000041	Plate, Rubber	2	
4	50009124	Counterweight	1	BA22CERT2
	50008983	Counterweight	1	BA18CERT2
	50008380	Counterweight	1	BA16CERT2
5	00001158	Bolt GB/T 5783 M24 × 110	3	
6	00001153	Spring Washer GB/T 93 24	6	
7	00001152	Flat Washer GB/T 96.1 24	6	
8	00005262	Nut GB/T 6182 M24	3	
9	00001159	Flat Washer GB/T 97.1 24	3	
10	00001150	Bolt GB/T 5783 M24 × 80	3	
11	10014561	Plug	2	BA22CERT2
	50006515	Plug	2	BA18CERT2 BA16CERT2

2-6 Counterweight Installations (BA20CERT2)

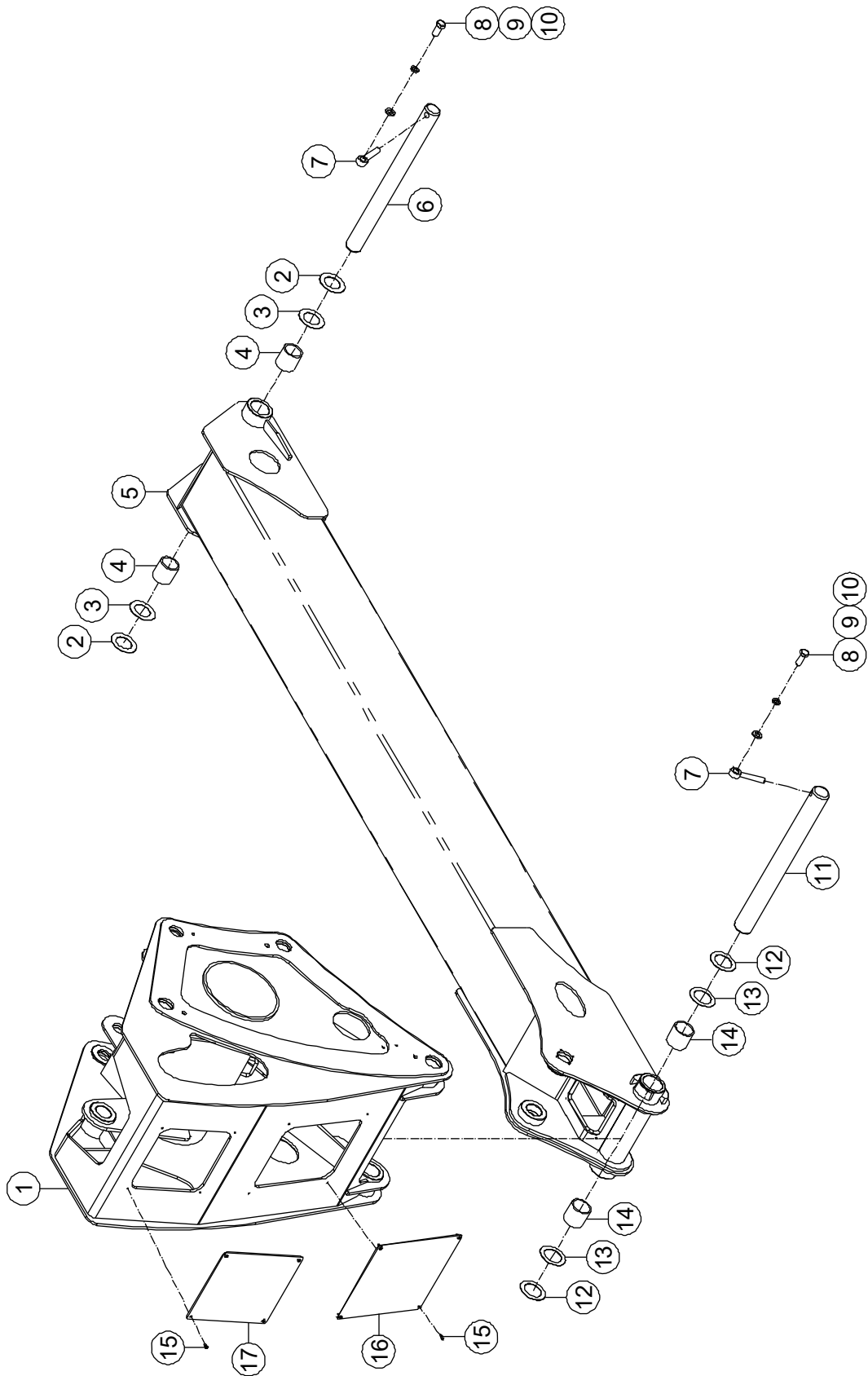


2-6 Counterweight Installations (BA20CERT2)

Item	Part Number	Description	Qty.	Remark
1	00001251	Screw GB/T 70 M10 × 50	4	
2	92100049	Washer	4	
3	10000041	Plate, Rubber	2	
4	50000104	Counterweight	1	
5	00001158	Bolt GB/T 5783 M24 × 110	3	
6	00001153	Spring Washer GB/T 93 24	6	
7	00001152	Flat Washer GB/T 96.1 24	6	
8	00005262	Nut GB/T 6182 M24	3	
9	00001159	Flat Washer GB/T 97.1 24	3	
10	00001150	Bolt GB/T 5783 M24 × 80	3	
11	50006515	Plug	2	

Section 3 Boom

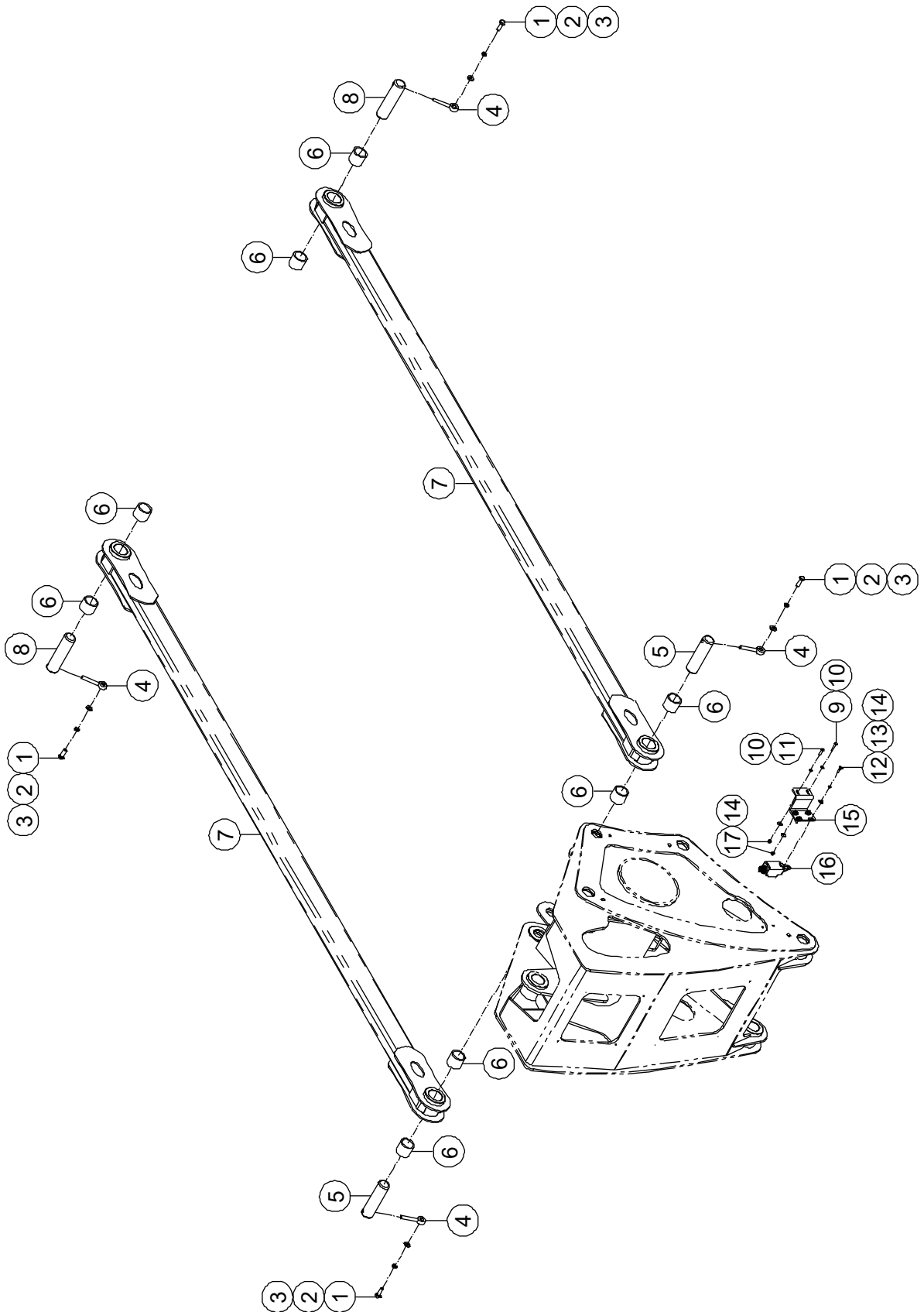
3-1 Crank Arm 1 Installations



3-1 Crank Arm 1 Installations

Item	Part Number	Description	Qty.	Remark
1	50010136	Cage, Connection	1	
2	92029593	Shim	2	
3	92029594	Shim	2	
4	00000428	8813-506060 Sleeve Bearing	2	
5	50010134	Crank Arm 1	1	BA22CERT2 BA20CERT2 BA18CERT2
	50010146	Crank Arm 1	1	BA16CERT2
6	00006247	895-50568 Pin, Pivot	1	BA22CERT2
	00010542	895-50553 Pin, Pivot	1	BA20CERT2 BA18CERT2 BA16CERT2
7	00000222	8902-16095 Pin, Lock	2	
8	00001161	Bolt GB/T 5783 M16 × 40	2	
9	00001035	Spring Washer GB/T 93 16	2	
10	00000997	Flat Washer GB/T 97.1 16	2	
11	00011893	895-55560 Pin, Pivot	1	
12	50009289	Shim	2	
13	50009288	Shim	2	
14	00011894	8813-556360 Sleeve Bearing	2	
15	00001177	Screw GB/T 70.2 M6×12	8	
16	50008095	Cover	1	
17	50008093	Cover	1	

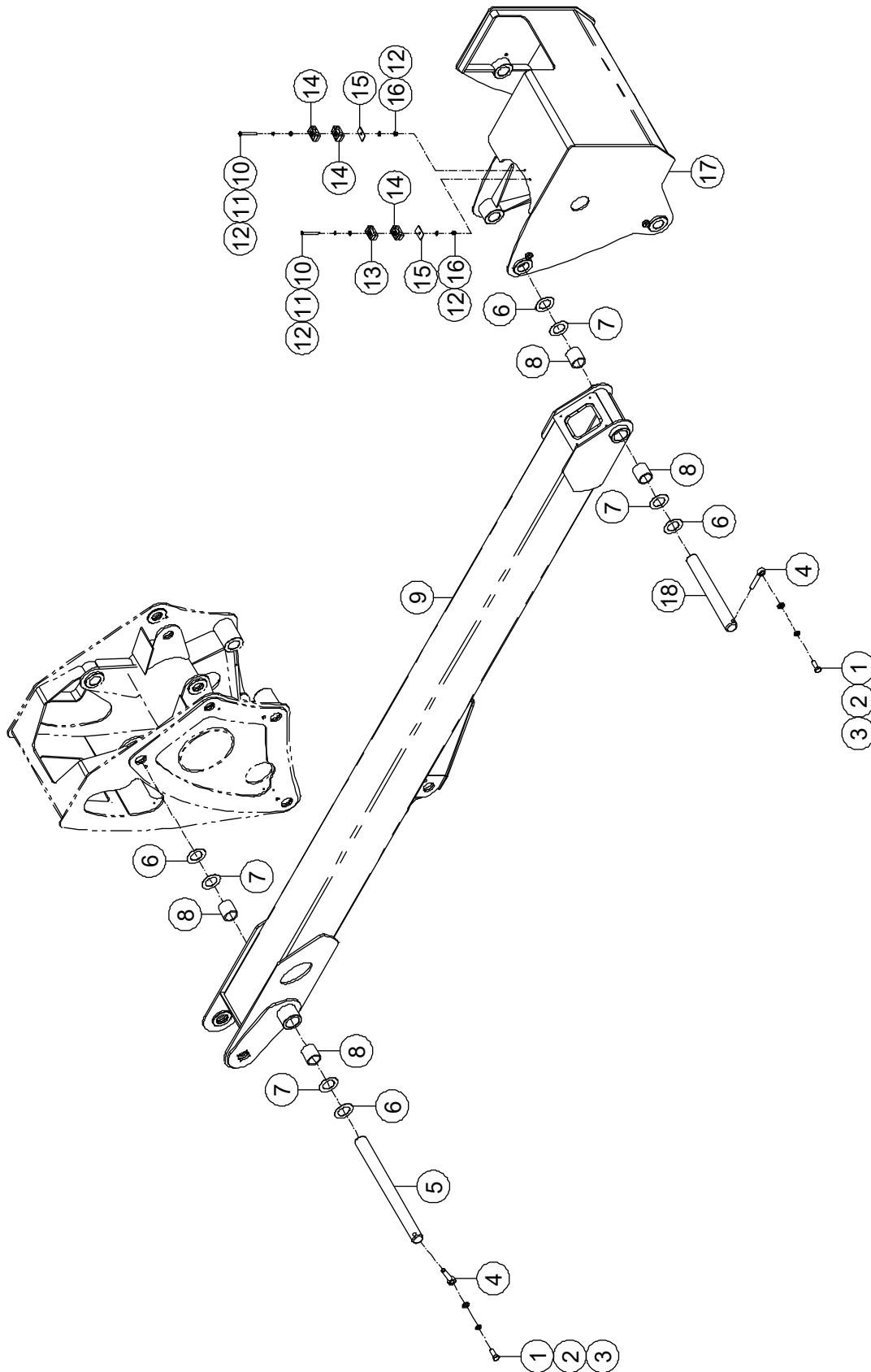
3-2 Rod, Connection 1 Installations



3-2 Rod, Connection 1 Installations

Item	Part Number	Description	Qty.	Remark
1	00002046	Bolt GB/T 5783 M12 × 35	4	
2	00000815	Spring Washer GB/T 93 12	4	
3	00000814	Flat Washer GB/T 97.1 12	4	
4	00002464	8902-12085 Pin, Lock	4	
5	00000111	895-45145 Pin, Pivot	2	
6	00000761	8813-455545 Sleeve Bearing	8	
7	50008153	Rod, Connection 1	2	BA22CERT2 BA20CERT2 BA18CERT2
	50008356	Rod, Connection 1	2	BA16CERT2
8	00010465	895-45170 Pin, Pivot	2	BA22CERT2
	00010234	895-45155 Pin, Pivot	2	BA20CERT2 BA18CERT2 BA16CERT2
9	00002895	Bolt GB/T 5783 M6 × 35	1	
10	00000620	Flat Washer GB/T 97.1 6	2	
11	00000619	Bolt GB/T 5783 M6 × 25	1	
12	00000774	Screw GB/T 70 M6 × 20	4	
13	00000621	Spring Washer GB/T 93 6	4	
14	00002583	Flat Washer GB/T 96.1 6	6	
15	50008091	Bracket, Switch	1	
16	00000750	Switch, Limit	1	
17	00000742	Nut GB/T 889.1 M6	2	

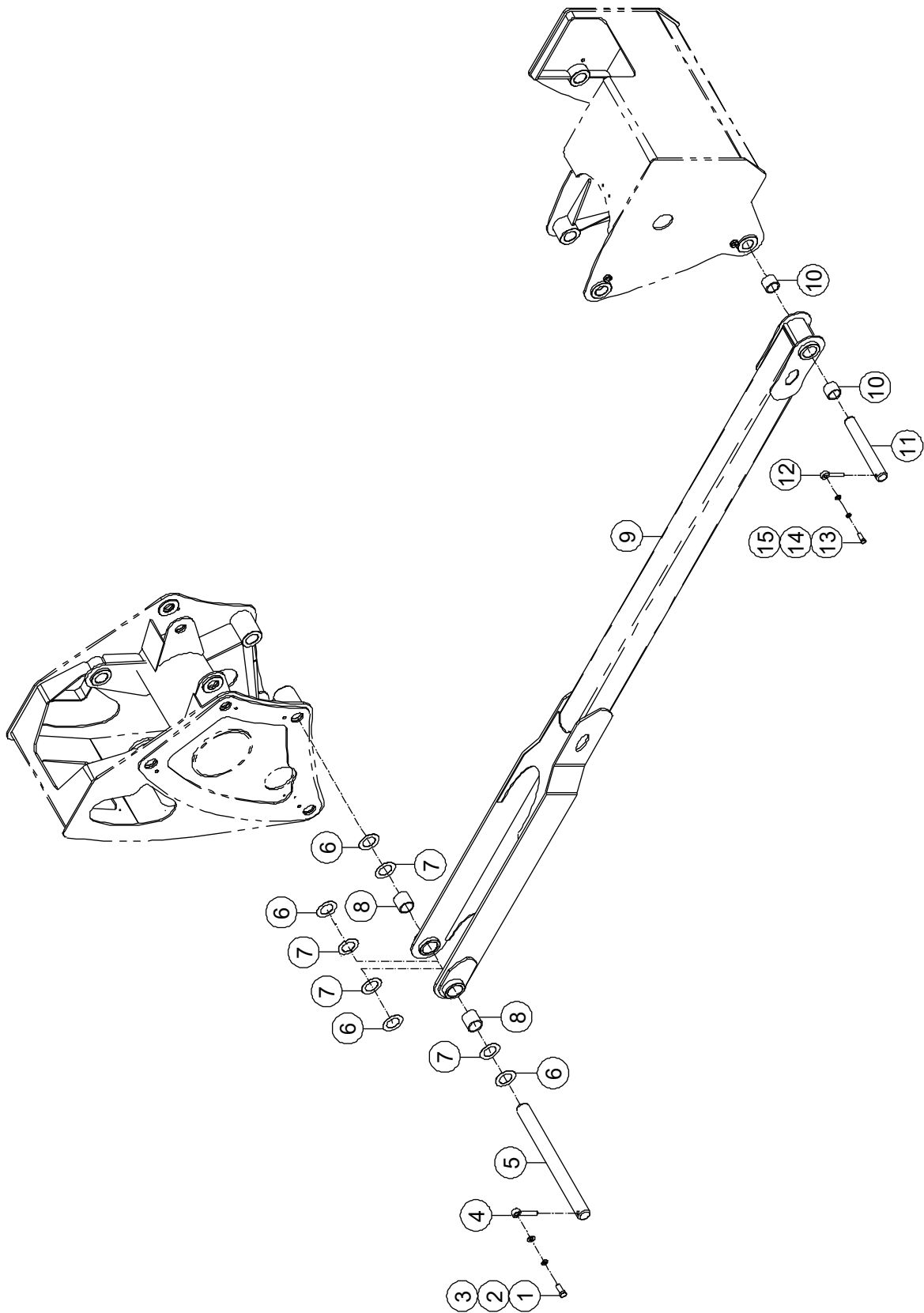
3-3 Crank Arm 2 Installations



3-3 Crank Arm 2 Installations

Item	Part Number	Description	Qty.	Remark
1	00001161	Bolt GB/T 5783 M16 × 40	2	
2	00001035	Spring Washer GB/T 93 16	2	
3	00000997	Flat Washer GB/T 97.1 16	2	
4	00000222	8902-16095 Pin, Lock	2	
5	00010242	895-50560 Pin, Pivot	1	
6	92029593	Shim	4	
7	92029594	Shim	4	
8	00000428	8813-506060 Sleeve Bearing	4	
9	50008166	Crank Arm 2	1	BA22CERT2 BA20CERT2 BA18CERT2
	50008358	Crank Arm 2	1	BA16CERT2
10	00001026	Bolt GB/T 5782 M8 × 80	2	
11	00000609	Spring Washer GB/T 93 8	2	
12	00000608	Flat Washer GB/T 97.1 8	4	
13	00000538	Clamp	1	
14	00000539	Clamp	3	
15	10000047	Plate, Clamp	2	
16	00000994	Nut GB/T 889.1 M8	2	
17	50008096	Cage, Connection	1	
18	00010241	895-50388 Pin, Pivot	1	

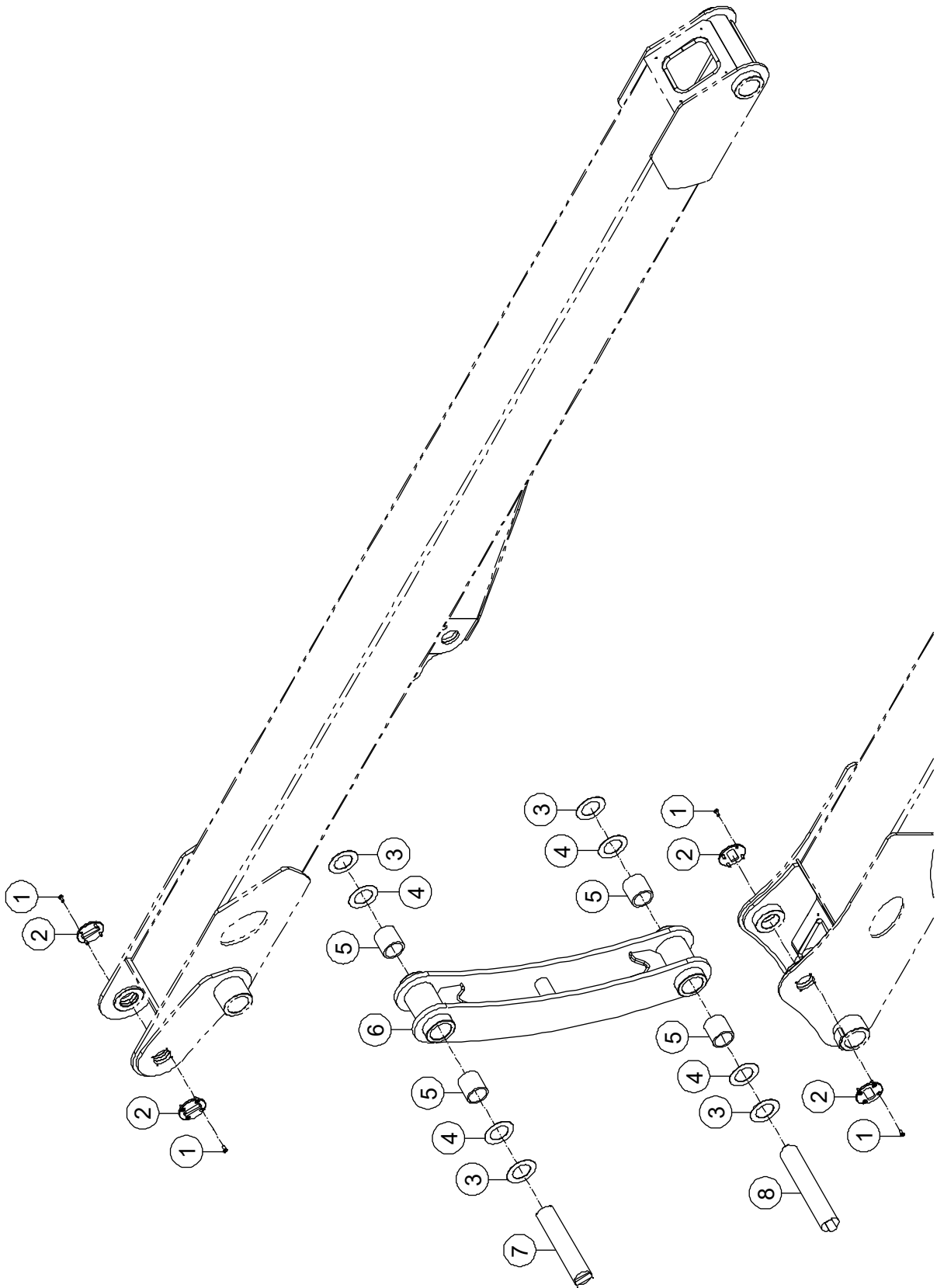
3-4 Rod, Connection 2 Installations



3-4 Rod, Connection 2 Installations

Item	Part Number	Description	Qty.	Remark
1	00001161	Bolt GB/T 5783 M16 × 40	1	
2	00001035	Spring Washer GB/T 93 16	1	
3	00000997	Flat Washer GB/T 97.1 16	1	
4	00000222	8902-16095 Pin, Lock	1	
5	00010242	895-50560 Pin, Pivot	1	
6	92029593	Shim	4	
7	92029594	Shim	4	
8	00008835	8813-506055 Sleeve Bearing	2	
9	50008157	Rod, Connection 2	1	BA22CERT2 BA20CERT2 BA18CERT2
	50008360	Rod, Connection 2	1	BA16CERT2
10	00000422	8813-455540 Sleeve Bearing	2	
11	00010235	895-45290 Pin, Pivot	1	
12	00002464	8902-12085 Pin, Lock	1	
13	00002046	Bolt GB/T 5783 M12 × 35	1	
14	00000815	Spring Washer GB/T 93 12	1	
15	00000814	Flat Washer GB/T 97.1 12	1	

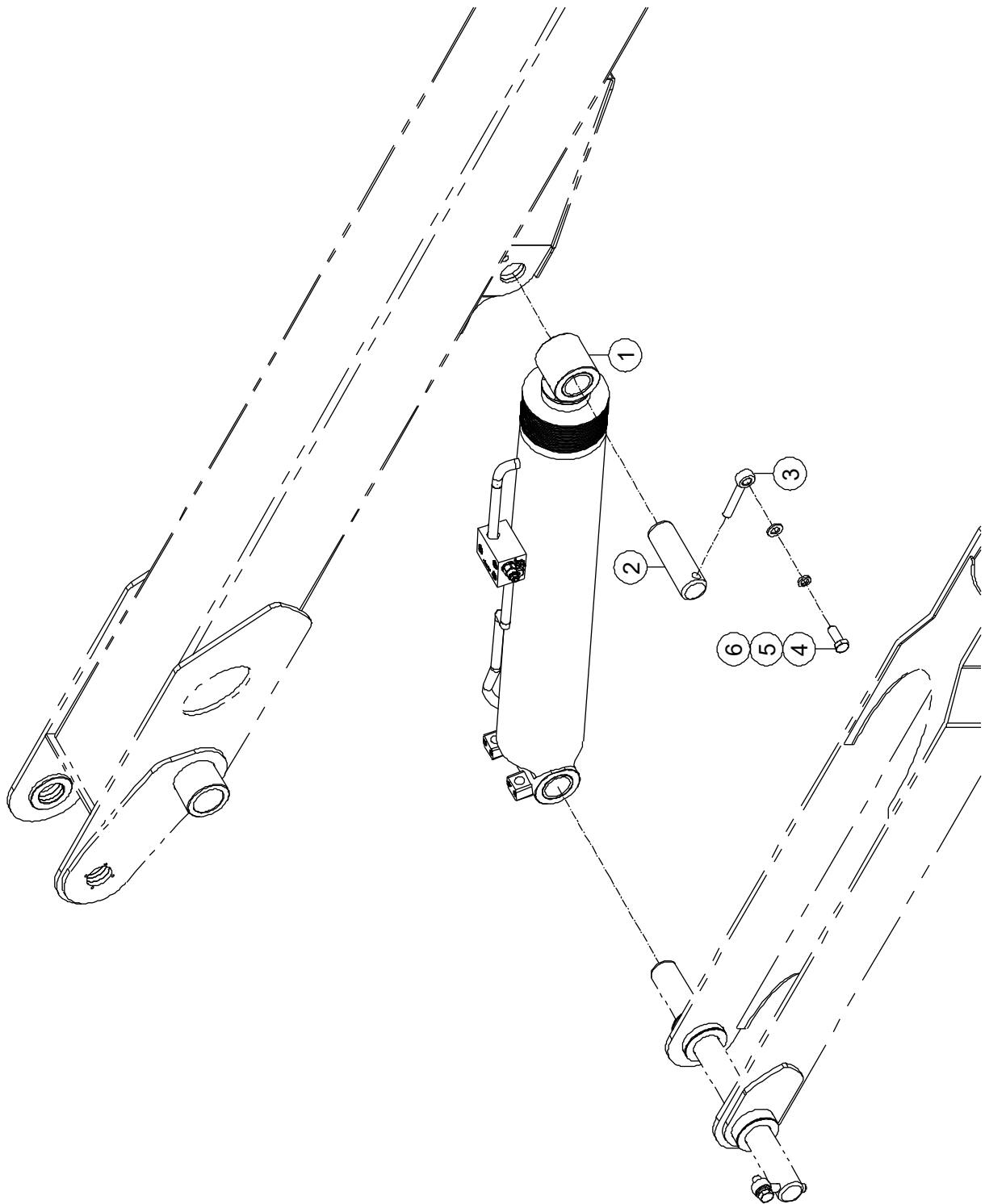
3-5 Link, Timing Installations



3-5 Link, Timing Installations

Item	Part Number	Description	Qty.	Remark
1	00000830	Screw GB/T 70.3 M6×16	16	
2	50011727	Cover	4	
3	92029593	Shim	4	
4	92029594	Shim	4	
5	00000428	8813-506060 Sleeve Bearing	4	
6	50008136	Link, Timing	1	
7	50011729	Pin, Pivot	1	
8	50011726	Pin, Pivot	1	

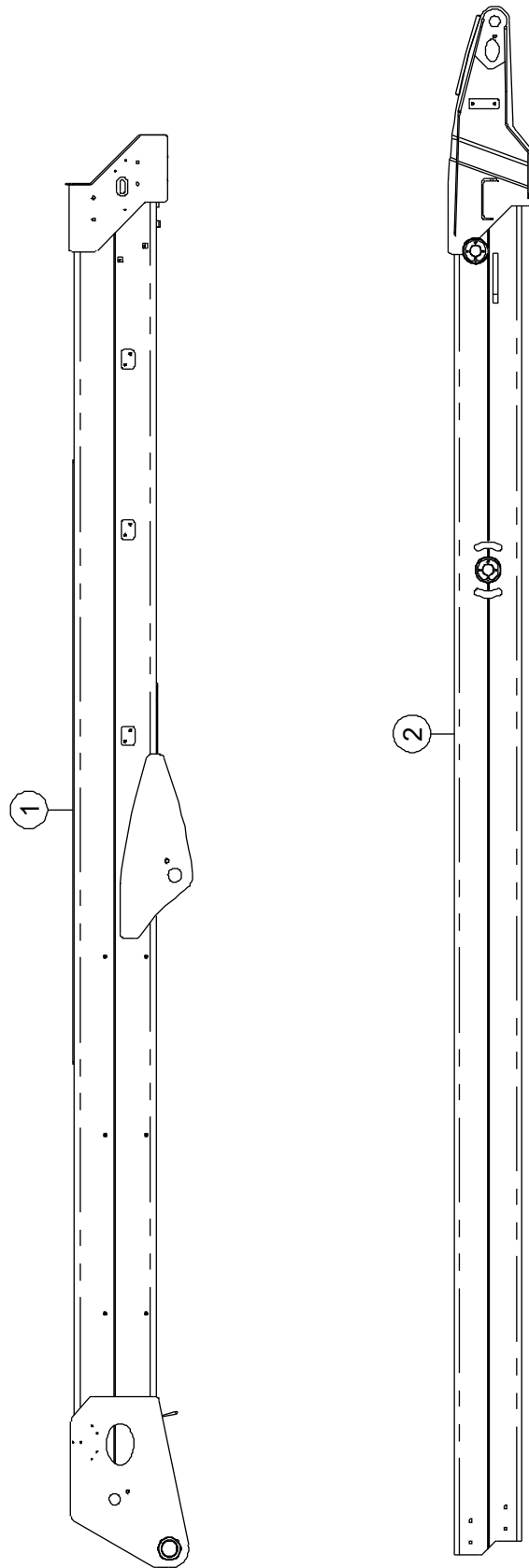
3-6 Lower Lifting Cylinder Assembly Installations



3-6 Lower Lifting Cylinder Assembly Installations

Item	Part Number	Description	Qty.	Remark
1		Lower Lifting Cylinder Assembly (<i>Refer to 5-3</i>)	1	
2	00010236	895-50142 Pin, Pivot	1	
3	00000222	8902-16095 Pin, Lock	2	
4	00001161	Bolt GB/T 5783 M16 × 40	2	
5	00001035	Spring Washer GB/T 93 16	2	
6	00000997	Flat Washer GB/T 97.1 16	2	

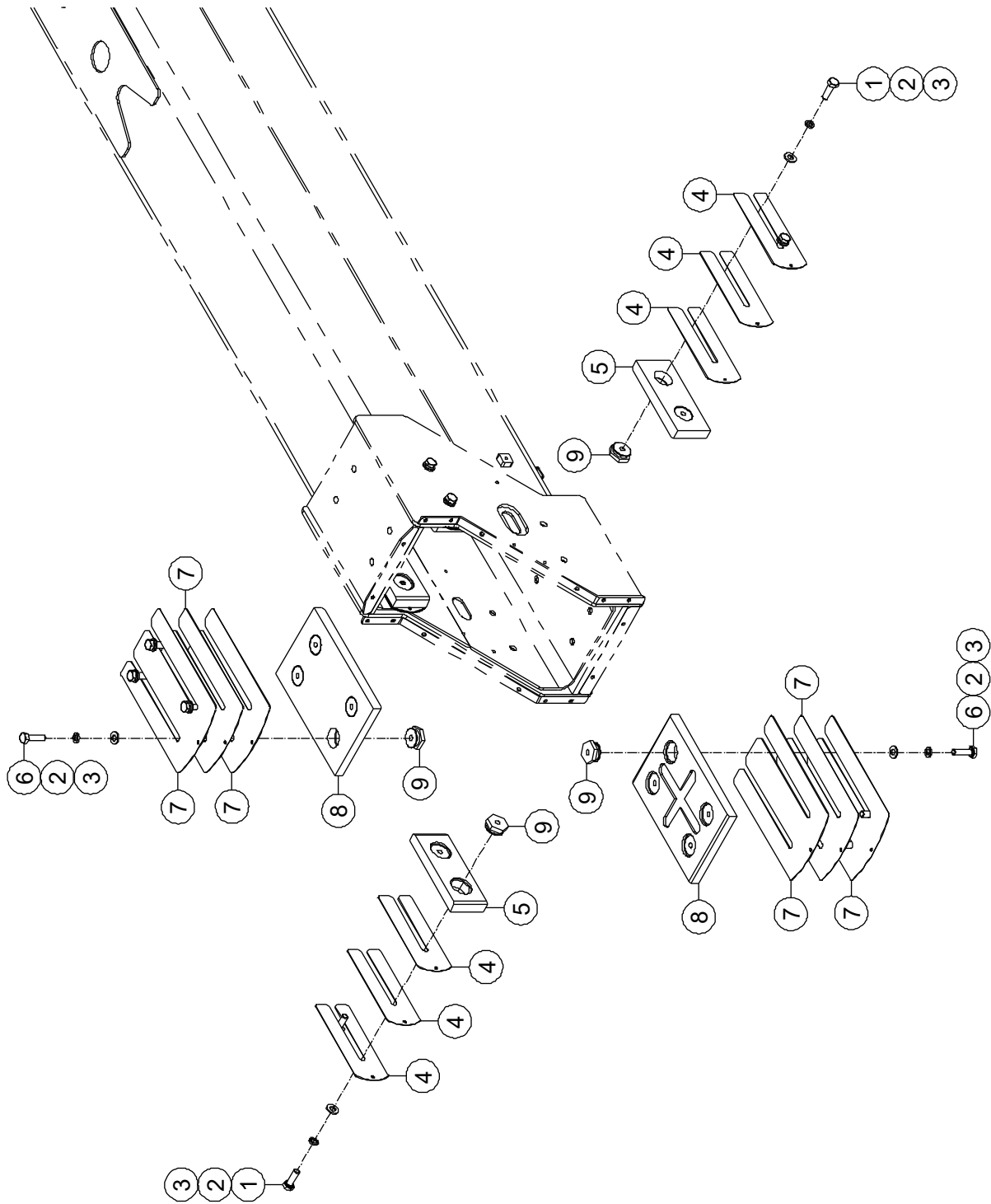
3-7 Telescopic Boom



3-7 Telescopic Boom

Item	Part Number	Description	Qty.	Remark
1	50008405	Base Boom	1	BA22CERT2
	50008179	Base Boom	1	BA20CERT2
	50008330	Base Boom	1	BA18CERT2
	50008363	Base Boom	1	BA16CERT2
2	50008409	Second Boom	1	BA22CERT2
	50008208	Second Boom	1	BA20CERT2
	50008334	Second Boom	1	BA18CERT2
	50008367	Second Boom	1	BA16CERT2

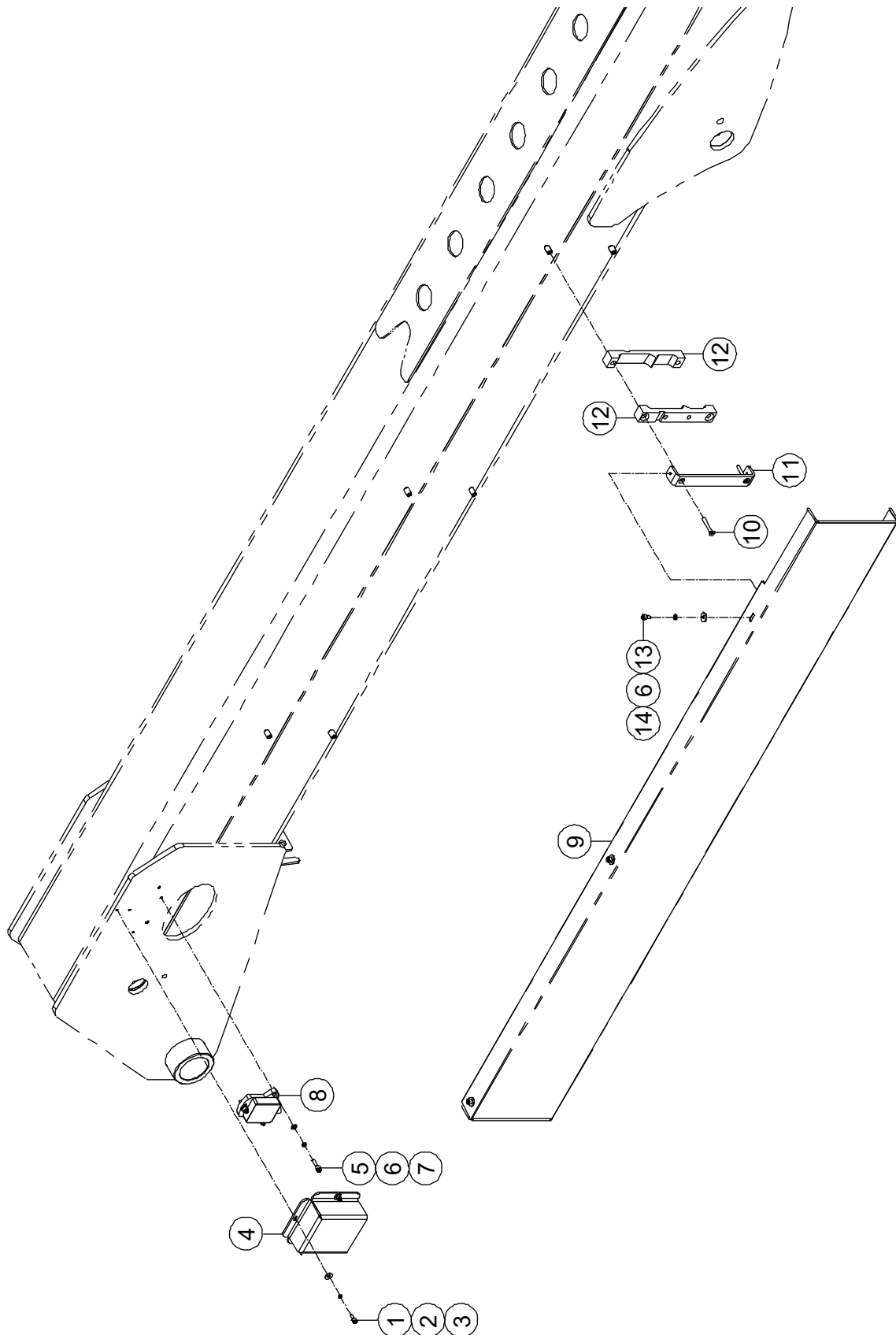
3-8 Base Boom Sliding Block Installations



3-8 Base Boom Sliding Block Installations

Item	Part Number	Description	Qty.	Remark
1	00000683	Bolt GB/T 5783 M10 × 30	8	
2	00000679	Spring Washer GB/T 93 10	16	
3	00000615	Flat Washer GB/T 97.1 10	16	
4	50000401	Shim	12	
5	50000403	Sliding Block	4	
6	00000684	Bolt GB/T 5783 M10 × 35	8	
7	50000445	Shim	6	
8	50000447	Sliding Block	2	
9	50000480	Insert	16	

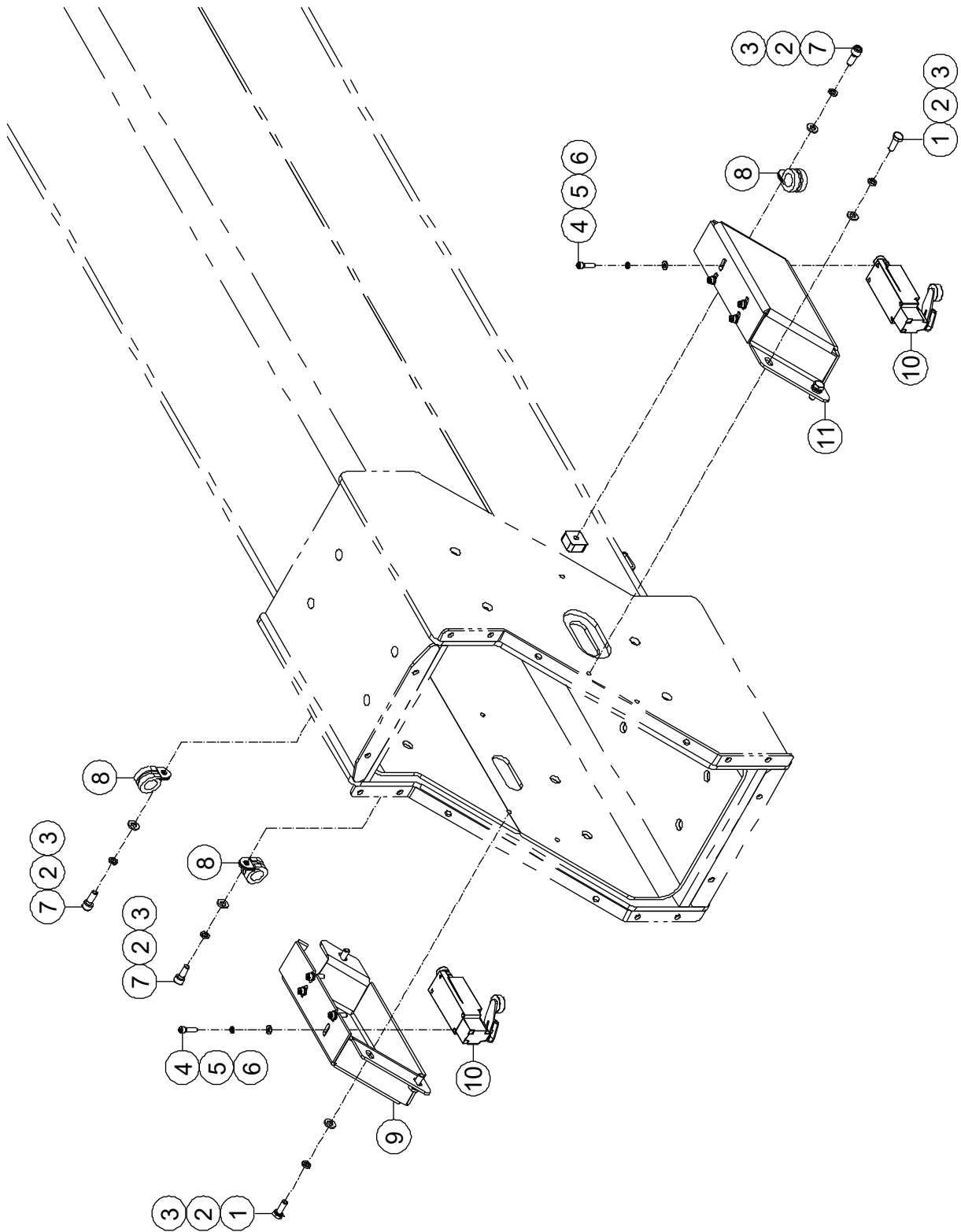
3-9 Base Boom Accessories Installations 1



3-9 Base Boom Accessories Installations 1

Item	Part Number	Description	Qty.	Remark
1	00001252	Screw GB/T 70 M5 × 12	3	
2	00000606	Spring Washer GB/T 93 5	3	
3	00003545	Flat Washer GB/T 96.1 5	3	
4	50000468	Cover, Sensor	1	
5	00000774	Screw GB/T 70 M6 × 20	3	
6	00000621	Spring Washer GB/T 93 6	11	BA22CERT2
	00000621	Spring Washer GB/T 93 6	9	BA20CERT2 BA18CERT2 BA16CERT2
7	00000620	Flat Washer GB/T 97.1 6	3	
8	00010740	Sensor, Angle	1	
9	50008414	Cover	1	BA22CERT2
	50007999	Cover	1	BA20CERT2
	50008346	Cover	1	BA18CERT2 BA16CERT2
10	00000834	Screw GB/T 70.3 M6×40	8	BA22CERT2
	00000834	Screw GB/T 70.3 M6×40	6	BA20CERT2 BA18CERT2 BA16CERT2
11	50007931	Clamp	4	BA22CERT2
	50007931	Clamp	3	BA20CERT2 BA18CERT2 BA16CERT2
12	50007930	Plate	8	BA22CERT2
	50007930	Plate	6	BA20CERT2 BA18CERT2 BA16CERT2
13	00008512	Screw GB/T 70 M6 × 10	8	BA22CERT2
	00008512	Screw GB/T 70 M6 × 10	6	BA20CERT2 BA18CERT2 BA16CERT2
14	00002583	Flat Washer GB/T 96.1 6	8	BA22CERT2
	00002583	Flat Washer GB/T 96.1 6	6	BA20CERT2 BA18CERT2 BA16CERT2

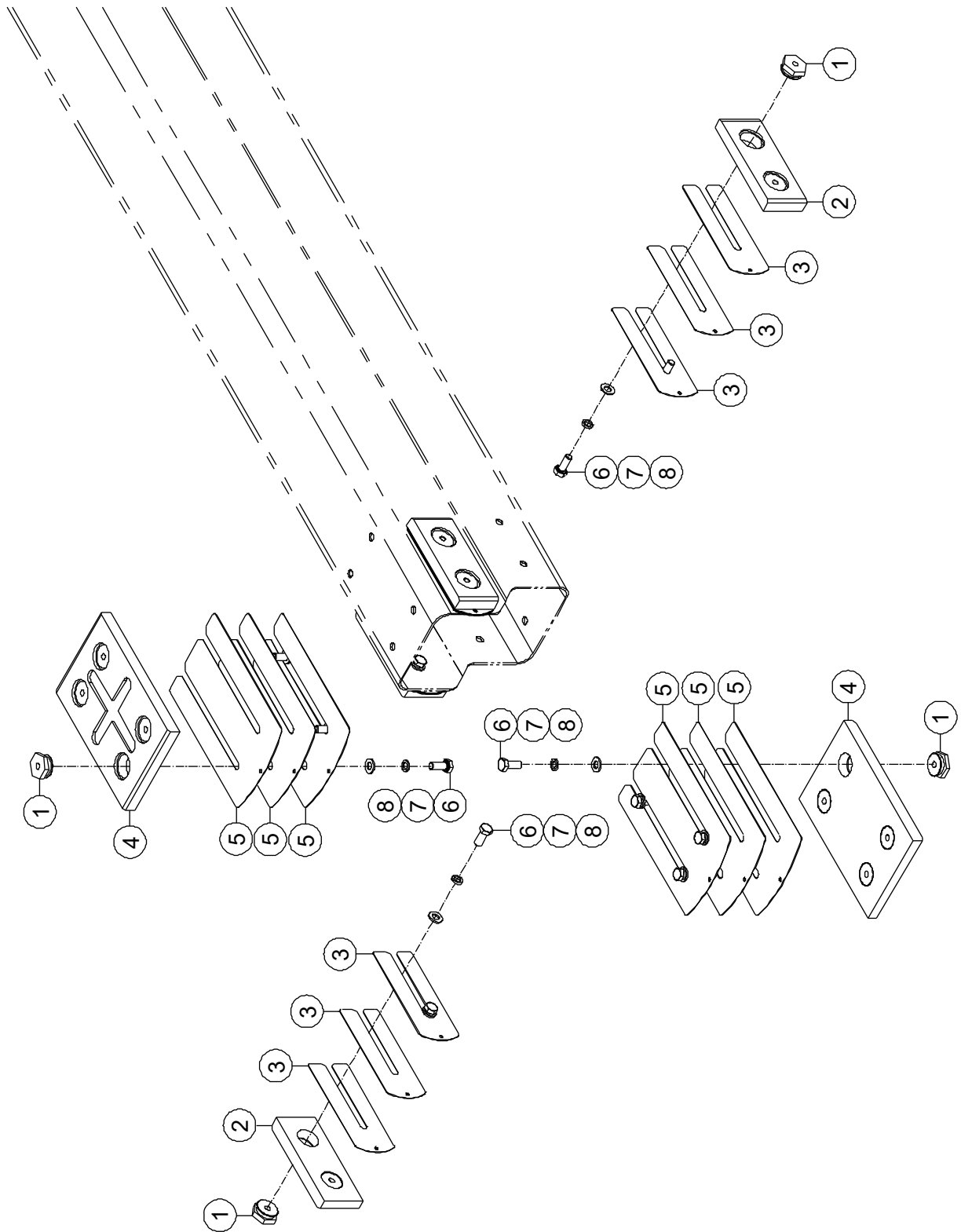
3-10 Base Boom Accessories Installations 2



3-10 Base Boom Accessories Installations 2

Item	Part Number	Description	Qty.	Remark
1	00000818	Bolt GB/T 5783 M6 × 16	6	
2	00000621	Spring Washer GB/T 93 6	9	BA22CERT2 BA20CERT2
	00000621	Spring Washer GB/T 93 6	8	BA18CERT2 BA16CERT2
3	00000620	Flat Washer GB/T 97.1 6	9	BA22CERT2 BA20CERT2
	00000620	Flat Washer GB/T 97.1 6	8	BA18CERT2 BA16CERT2
4	00000604	Screw GB/T 70.1 M4×16	8	
5	00000779	Spring Washer GB/T 93 4	8	
6	00000778	Flat Washer GB/T 97.1 4	8	
7	00000876	Screw GB/T 70 M6 × 16	3	BA22CERT2 BA20CERT2
	00000876	Screw GB/T 70 M6 × 16	2	BA18CERT2 BA16CERT2
8	92100579	Clamp	3	BA22CERT2 BA20CERT2
	92100579	Clamp	2	BA18CERT2 BA16CERT2
9	50005469	Plate, Bracket	1	
10	00000748	Switch, Limit	2	
11	50008820	Plate, Bracket	1	

3-11 Second Boom Sliding Block Installations



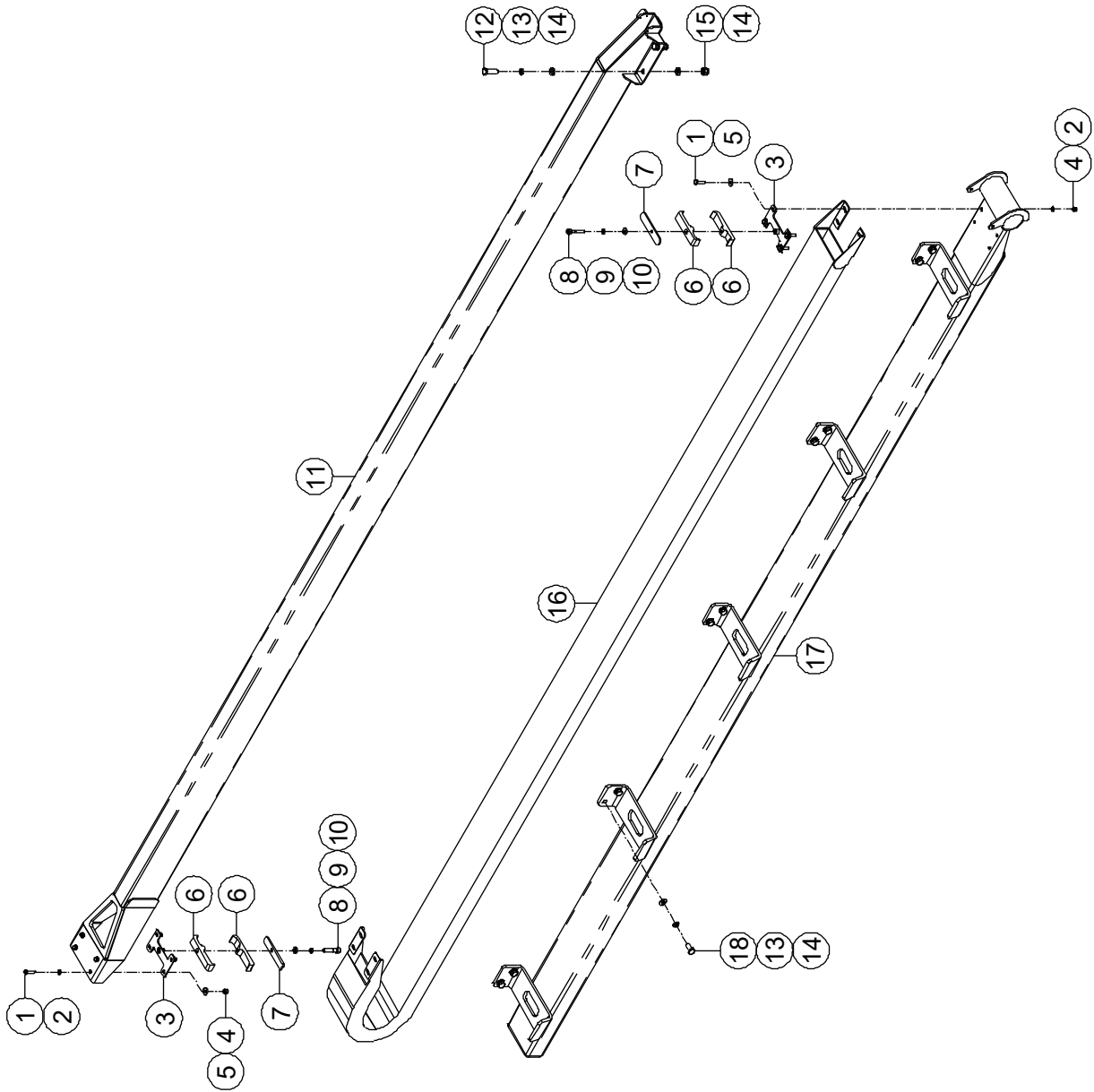
3-11 Second Boom Sliding Block Installations

Item	Part Number	Description	Qty.	Remark
1	50000480	Insert	16	
2	50000403	Sliding Block	4	
3	50000401	Shim	12	
4	50000447	Sliding Block	2	
5	50000445	Shim	6	
6	00000678	Bolt GB/T 5783 M10 × 25	16	
7	00000679	Spring Washer GB/T 93 10	16	
8	00000615	Flat Washer GB/T 97.1 10	16	

3-12 Telescope Cylinder Assembly Installations

Item	Part Number	Description	Qty.	Remark
1	00000830	Screw GB/T 70.3 M6×16	12	
2	50000448	Cover	2	
3		Telescope Cylinder Assembly (<i>Refer to 5-5</i>)	1	
4	00000462	893C-40134 Pin, Pivot	1	
5	00002046	Bolt GB/T 5783 M12 × 35	1	
6	00000815	Spring Washer GB/T 93 12	1	
7	00000814	Flat Washer GB/T 97.1 12	1	
8	00002464	8902-12085 Pin, Lock	1	
9	00010246	895-40235 Pin, Pivot	1	
10	92029978	Shim	2	
11	92029979	Shim	2	

3-13 Carrier System Installations



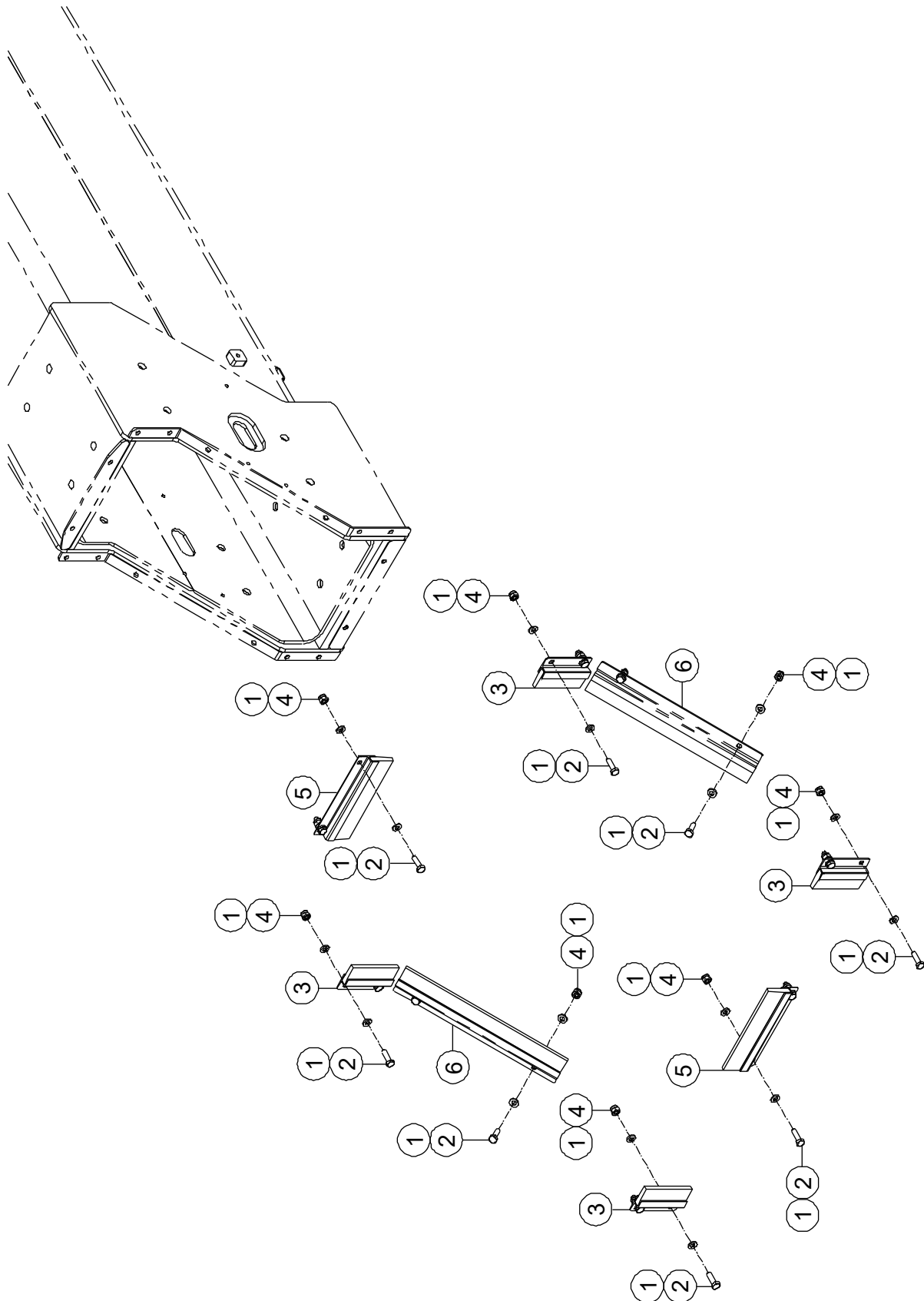
3-13 Carrier System Installations

Item	Part Number	Description	Qty.	Remark
1	00000619	Bolt GB/T 5783 M6 × 25	8	
2	00000620	Flat Washer GB/T 97.1 6	8	
3	50000364	Plate, Weldment	2	
4	00000742	Nut GB/T 889.1 M6	8	
5	00002583	Flat Washer GB/T 96.1 6	8	
6	50000367	Clamp	4	
7	50000368	Plate	2	
8	00000744	Screw GB/T 70 M8 × 40	2	
9	00000609	Spring Washer GB/T 93 8	2	
10	00000608	Flat Washer GB/T 97.1 8	2	
11	50008919	Support	1	BA22CERT2
	50008043	Support	1	BA20CERT2
	50008341	Support	1	BA18CERT2
	50009333	Support	1	BA16CERT2
12	00000684	Bolt GB/T 5783 M10 × 35	4	
13	00000679	Spring Washer GB/T 93 10	12	BA22CERT2
	00000679	Spring Washer GB/T 93 10	10	BA20CERT2 BA18CERT2
	00000679	Spring Washer GB/T 93 10	8	BA16CERT2
14	00000615	Flat Washer GB/T 97.1 10	16	BA22CERT2
	00000615	Flat Washer GB/T 97.1 10	14	BA20CERT2 BA18CERT2
	00000615	Flat Washer GB/T 97.1 10	12	BA16CERT2
15	00000682	Nut GB/T 889.1 M10	4	
16	50008020	Chain	1	BA22CERT2
	50008045	Chain	1	BA20CERT2
	50008343	Chain	1	BA18CERT2
	50008376	Chain	1	BA16CERT2
17	50008016	Support	1	BA22CERT2
	50008041	Support	1	BA20CERT2

3-13 Carrier System Installations (Continued)

Item	Part Number	Description	Qty.	Remark
17	50008339	Support	1	BA18CERT2
	50008372	Support	1	BA16CERT2
18	00000674	Bolt GB/T 5783 M10 × 20	8	BA22CERT2
	00000674	Bolt GB/T 5783 M10 × 20	6	BA20CERT2 BA18CERT2
	00000674	Bolt GB/T 5783 M10 × 20	4	BA16CERT2

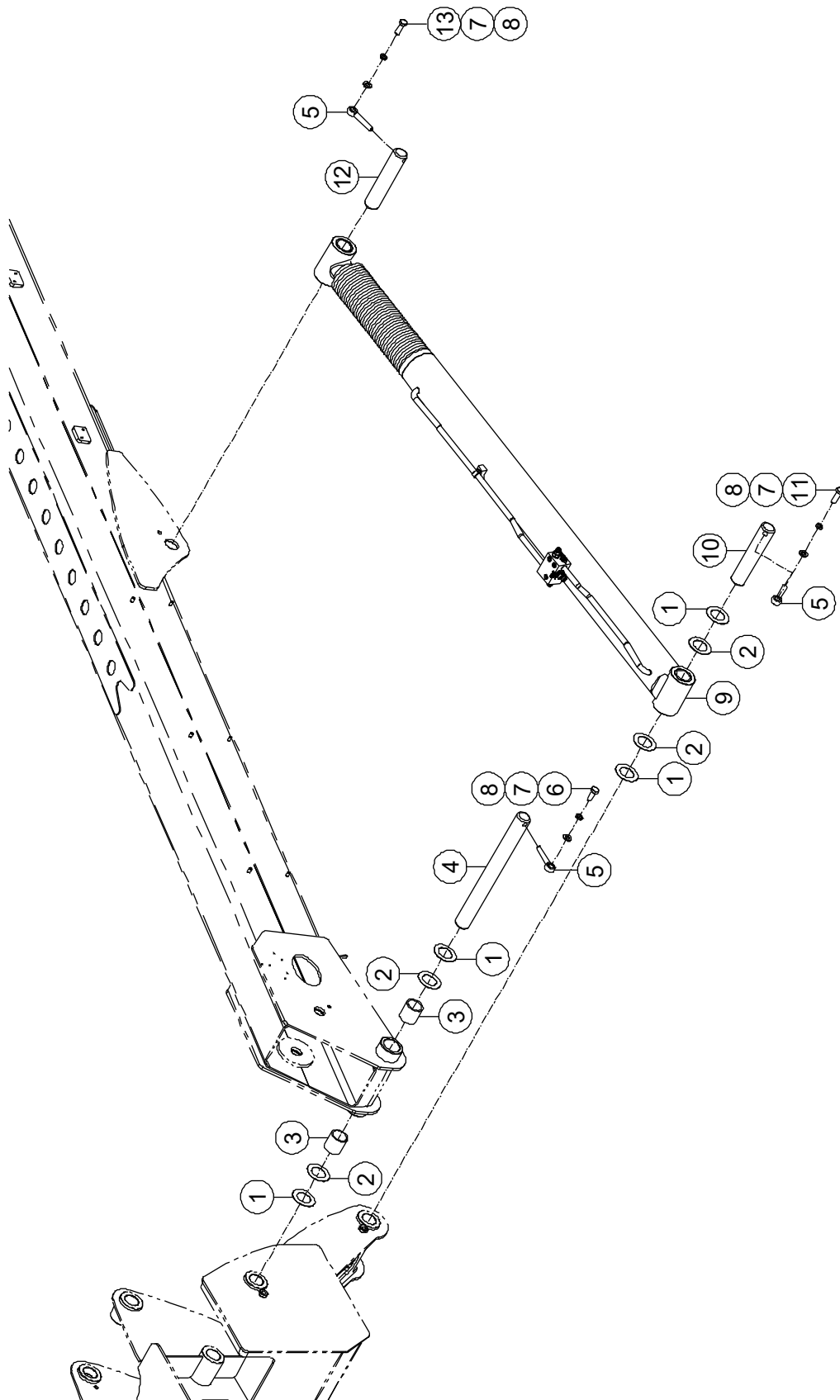
3-14 Boom Shield Installations



3-14 Boom Shield Installations

Item	Part Number	Description	Qty.	Remark
1	00000620	Flat Washer GB/T 97.1 6	32	
2	00000743	Bolt GB/T 5783 M6 × 20	16	
3	50005401	Guard	4	
4	00000742	Nut GB/T 889.1 M6	16	
5	50005400	Guard	2	
6	50005402	Guard	2	

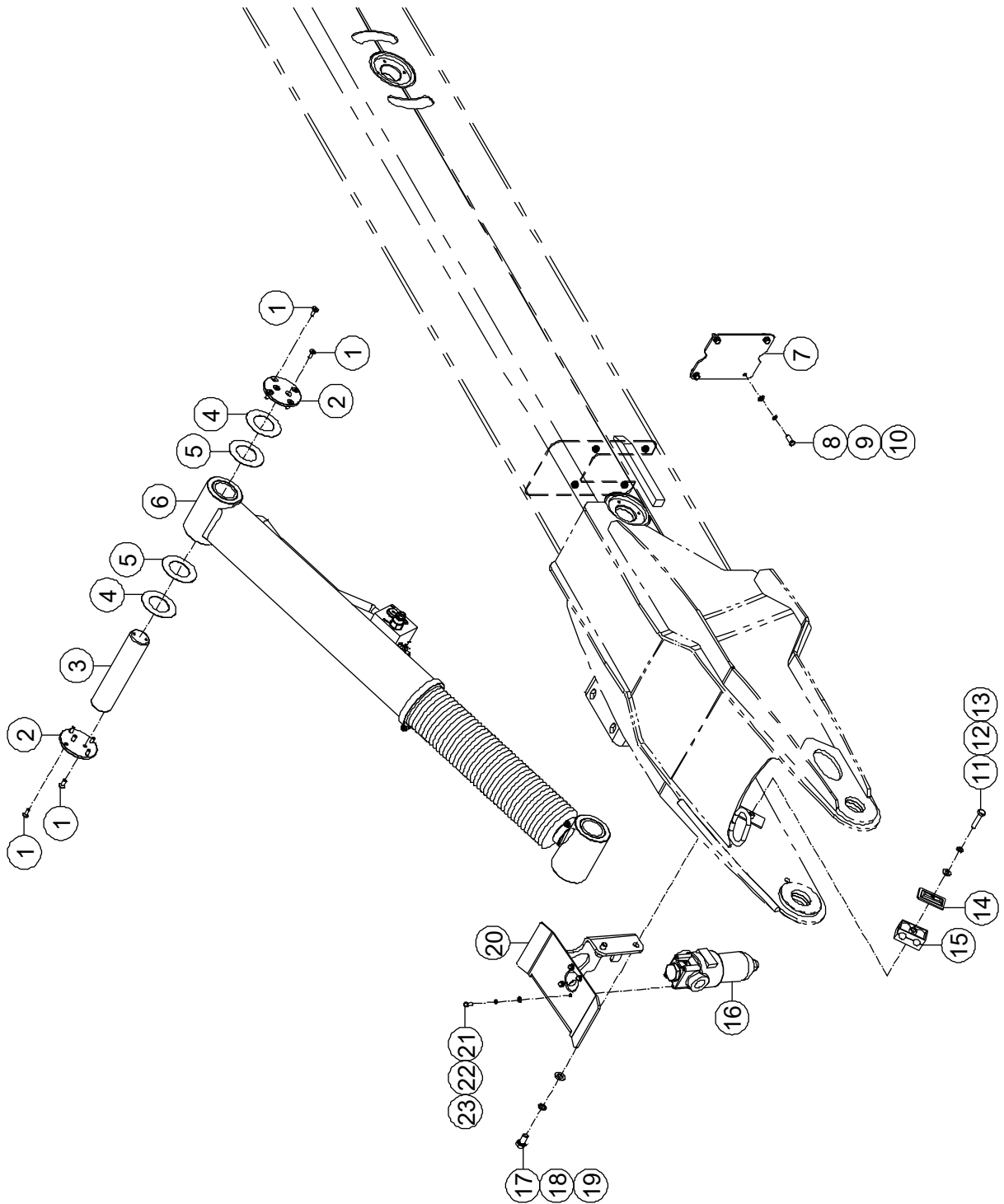
3-15 Upper Lifting Cylinder Assembly Installations



3-15 Upper Lifting Cylinder Assembly Installations

Item	Part Number	Description	Qty.	Remark
1	92029593	Shim	4	
2	92029594	Shim	4	
3	00000428	8813-506060 Sleeve Bearing	2	
4	00000139	895-50500 Pin, Pivot	1	
5	00000222	8902-16095 Pin, Lock	3	
6	00001161	Bolt GB/T 5783 M16 × 40	1	
7	00001035	Spring Washer GB/T 93 16	3	
8	00000997	Flat Washer GB/T 97.1 16	3	
9		Upper Lifting Cylinder Assembly (<i>Refer to 5-4</i>)	1	
10	00010238	895-50243 Pin, Pivot	1	
11	00001036	Bolt GB/T 5783 M16 × 50	1	
12	00010237	895-50235 Pin, Pivot	1	
13	00001057	Bolt GB/T 5783 M16 × 45	1	

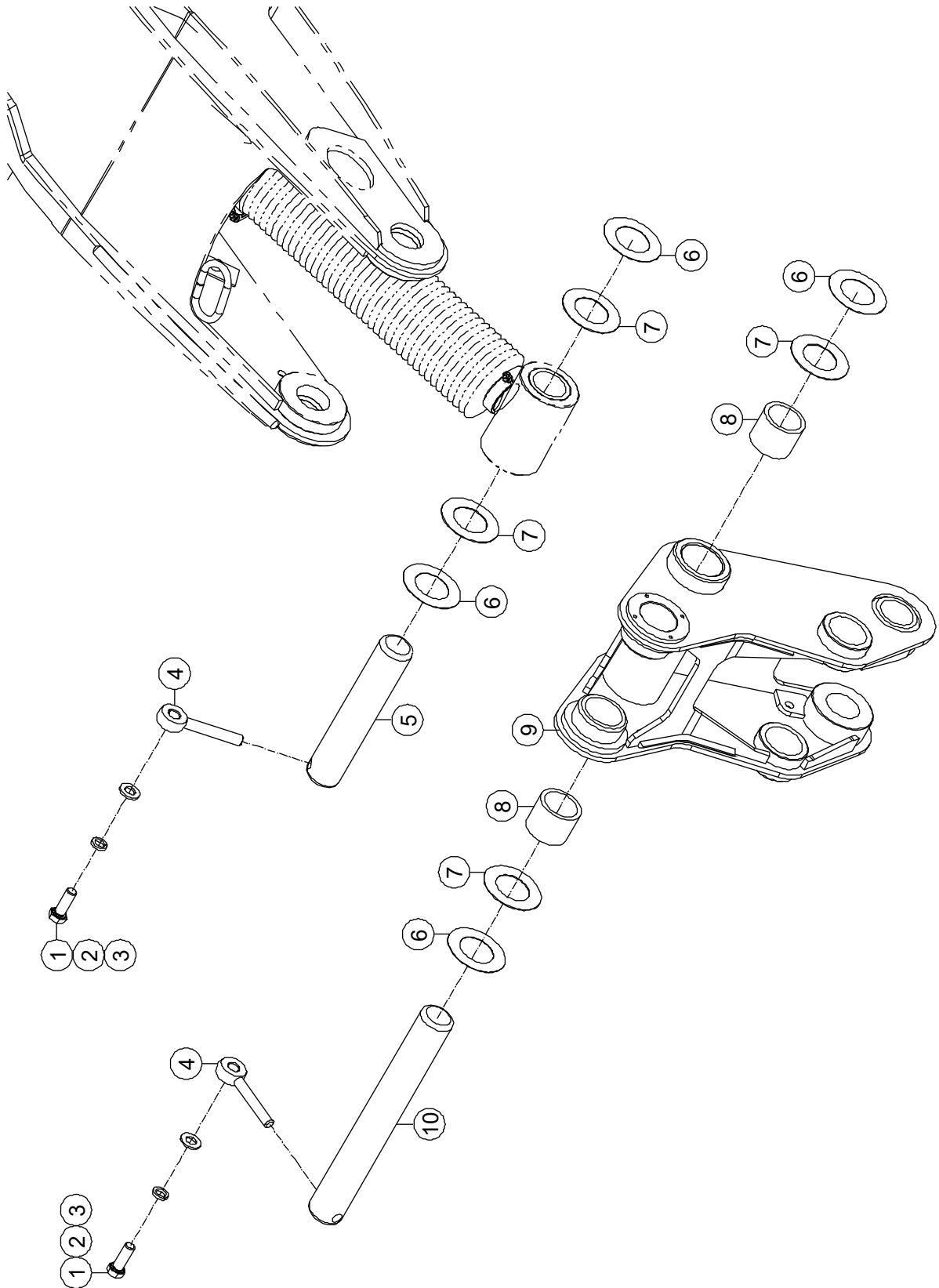
3-16 JIB Leveling Cylinder Assembly Installations



3-16 JIB Leveling Cylinder Assembly Installations

Item	Part Number	Description	Qty.	Remark
1	00000830	Screw GB/T 70.3 M6×16	12	
2	50000448	Cover	2	
3	00000462	893C-40134 Pin, Pivot	1	
4	92029979	Shim	2	
5	92029978	Shim	2	
6		JIB Leveling Cylinder Assembly (<i>Refer to 5-6</i>)	1	
7	50008234	Cover	1	
8	00000818	Bolt GB/T 5783 M6 × 16	4	
9	00000621	Spring Washer GB/T 93 6	4	
10	00000620	Flat Washer GB/T 97.1 6	4	
11	00002488	Bolt GB/T 5783 M8 × 35	1	
12	00000609	Spring Washer GB/T 93 8	1	
13	00000608	Flat Washer GB/T 97.1 8	1	
14	90001243	Plate	1	
15	00008962	Clamp	1	
16	93000393	Pressure Filter	1	
17	00000674	Bolt GB/T 5783 M10 × 20	2	
18	00000679	Spring Washer GB/T 93 10	2	
19	00000615	Flat Washer GB/T 97.1 10	2	
20	50007947	Support	1	
21	00002246	Bolt GB/T 5783 M5 × 12	4	
22	00000606	Spring Washer GB/T 93 5	4	
23	00000605	Flat Washer GB/T 97.1 5	4	

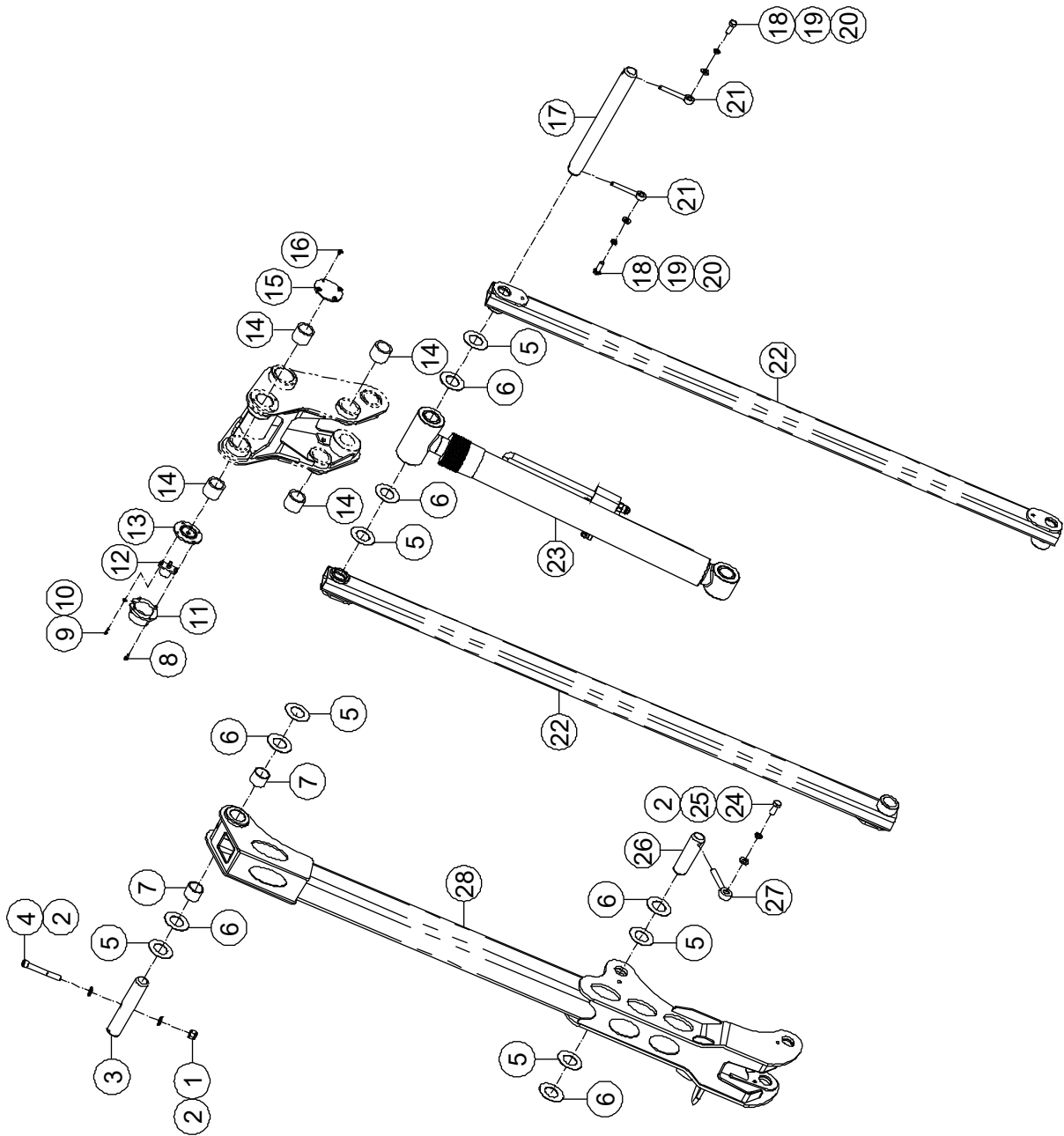
3-17 Telescopic Boom and Articulating JIB Installations



3-17 Telescopic Boom and Articulating JIB Installations

Item	Part Number	Description	Qty.	Remark
1	00002046	Bolt GB/T 5783 M12 × 35	2	
2	00000815	Spring Washer GB/T 93 12	2	
3	00000814	Flat Washer GB/T 97.1 12	2	
4	00002464	8902-12085 Pin, Lock	2	
5	00010245	895-40195 Pin, Pivot	1	
6	92029979	Shim	4	
7	92029978	Shim	4	
8	00000419	8813-405040 Sleeve Bearing	2	
9	50008071	Junction	1	
10	00010248	895-40282 Pin, Pivot	1	

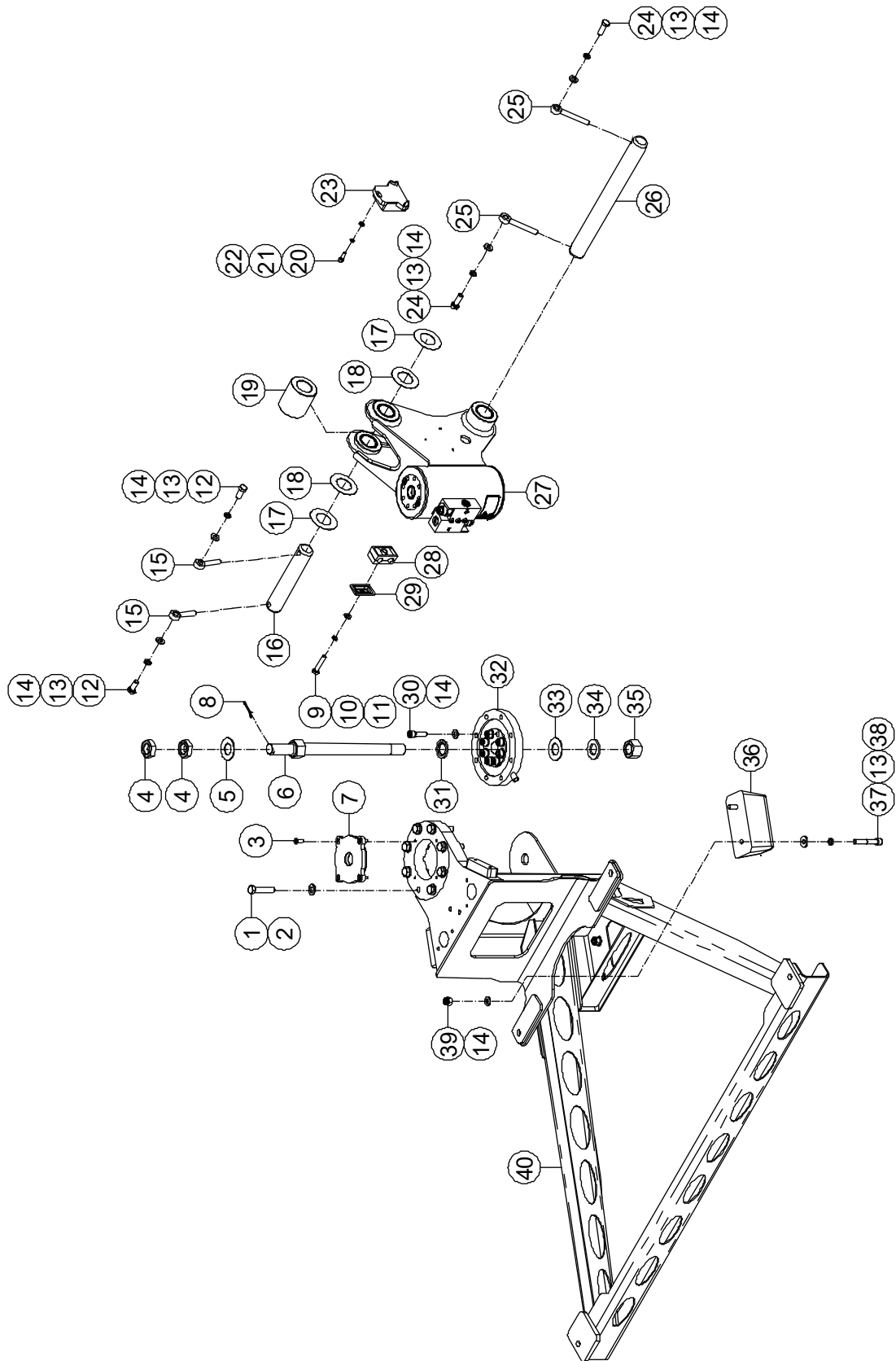
3-18 Articulating JIB Installations



3-18 Articulating JIB Installations

Item	Part Number	Description	Qty.	Remark
1	00001249	Nut GB/T 6182 M12	1	
2	00000814	Flat Washer GB/T 97.1 12	3	
3	50009103	Pin, Pivot	1	
4	00002182	Screw GB/T 70 M12 × 90	1	
5	50007717	Shim	6	
6	50007716	Shim	6	
7	00009802	8812-354030 Sleeve Bearing	2	
8	00001252	Screw GB/T 70 M5 × 12	4	
9	00001054	Screw GB/T 70 M4 × 12	2	
10	00000778	Flat Washer GB/T 97.1 4	2	
11	50009104	Housing	1	
12	00000644	Sensor, Rotary	1	
13	50009105	Plate	1	
14	00000416	8813-354535 Sleeve Bearing	4	
15	50009107	Cover	1	
16	00005240	Screw GB/T 70 M5 × 8	4	
17	00010232	897-35330 Pin, Pivot	1	
18	00000683	Bolt GB/T 5783 M10 × 30	2	
19	00000679	Spring Washer GB/T 93 10	2	
20	00000615	Flat Washer GB/T 97.1 10	2	
21	00000220	8902-10080 Pin, Lock	2	
22	50007692	Linker, Lower	2	
23		JIB Lifting Cylinder Assembly (<i>Refer to 5-7</i>)	1	
24	00002059	Bolt GB/T 5783 M12 × 30	1	
25	00000815	Spring Washer GB/T 93 12	1	
26	00011946	895-35110 Pin, Pivot	1	
27	00002464	8902-12085 Pin, Lock	1	
28	50010148	Linker, Upper	1	

3-19 Rotate Cylinder Assembly Installations



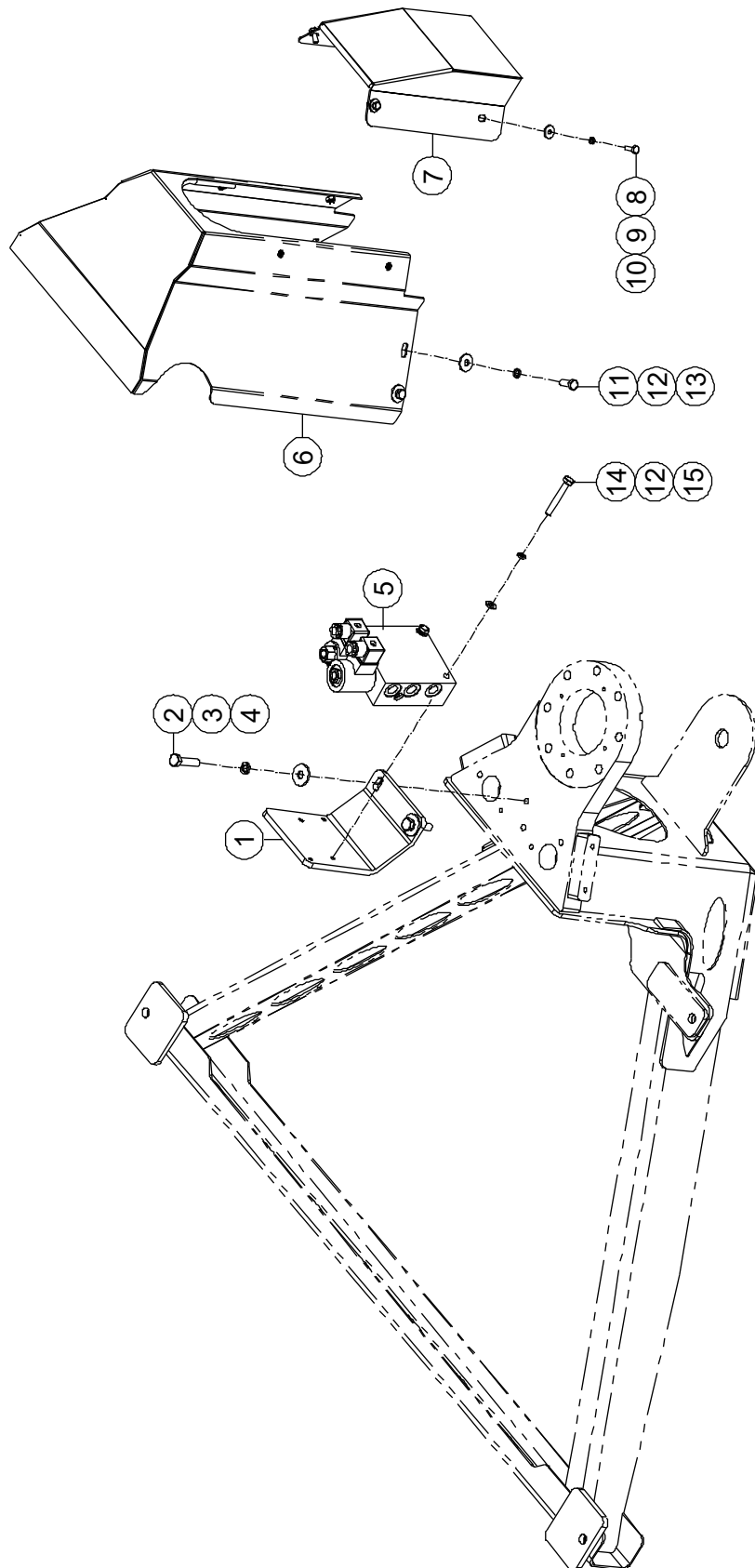
3-19 Rotate Cylinder Assembly Installations

Item	Part Number	Description	Qty.	Remark
1	00002923	Bolt GB/T 5783 M12 × 55	8	
2	00000814	Flat Washer GB/T 97.1 12	8	
3	00000831	Screw GB/T 70.3 M6×20	4	
4	00007853	Nut GB/T 6173 M24×2	2	
5	00007974	Disc Spring B 50 GB/T 1972	1	
6	92100986	Pin, Pivot	1	
7	92100987	Cover	1	
8	00002405	Cotter Pin GB/T 91 4 × 32	1	
9	00002607	Bolt GB/T 5783 M8 × 45	1	
10	00000609	Spring Washer GB/T 93 8	1	
11	00000608	Flat Washer GB/T 97.1 8	1	
12	00000678	Bolt GB/T 5783 M10 × 25	2	
13	00000679	Spring Washer GB/T 93 10	8	
14	00000615	Flat Washer GB/T 97.1 10	16	
15	00000219	8902-10060 Pin, Lock	2	
16	00011945	897-35162 Pin, Pivot	1	
17	50007717	Shim	2	
18	50007716	Shim	2	
19	50010159	Spacer	1	
20	00000774	Screw GB/T 70 M6 × 20	3	
21	00000621	Spring Washer GB/T 93 6	3	
22	00000620	Flat Washer GB/T 97.1 6	3	
23	00002916	Angle sensor	1	
24	00000683	Bolt GB/T 5783 M10 × 30	2	
25	00000220	8902-10080 Pin, Lock	2	
26	00010232	897-35330 Pin, Pivot	1	
27	00010220	Rotate Cylinder Assembly	1	
28	00008962	Clam	1	
29	90001243	Plate	1	

3-19 Rotate Cylinder Assembly Installations (Continued)

Item	Part Number	Description	Qty.	Remark
30	00002238	Screw GB/T 70 M10 × 35	8	
31	92100206	Washer	1	
32	00006204	Load Sensor	1	
33	92101369	Shim	1	
34	00001159	Flat Washer GB/T 97.1 24	1	
35	00006420	Nut GB/T 6176 M24×2	1	
36	10000041	Plate, Rubber	2	
37	00000614	Screw GB/T 70 M10 × 60	4	
38	92100049	Washer	4	
39	00000623	Nut GB/T 6182 M10	4	
40	92100269	Support	1	

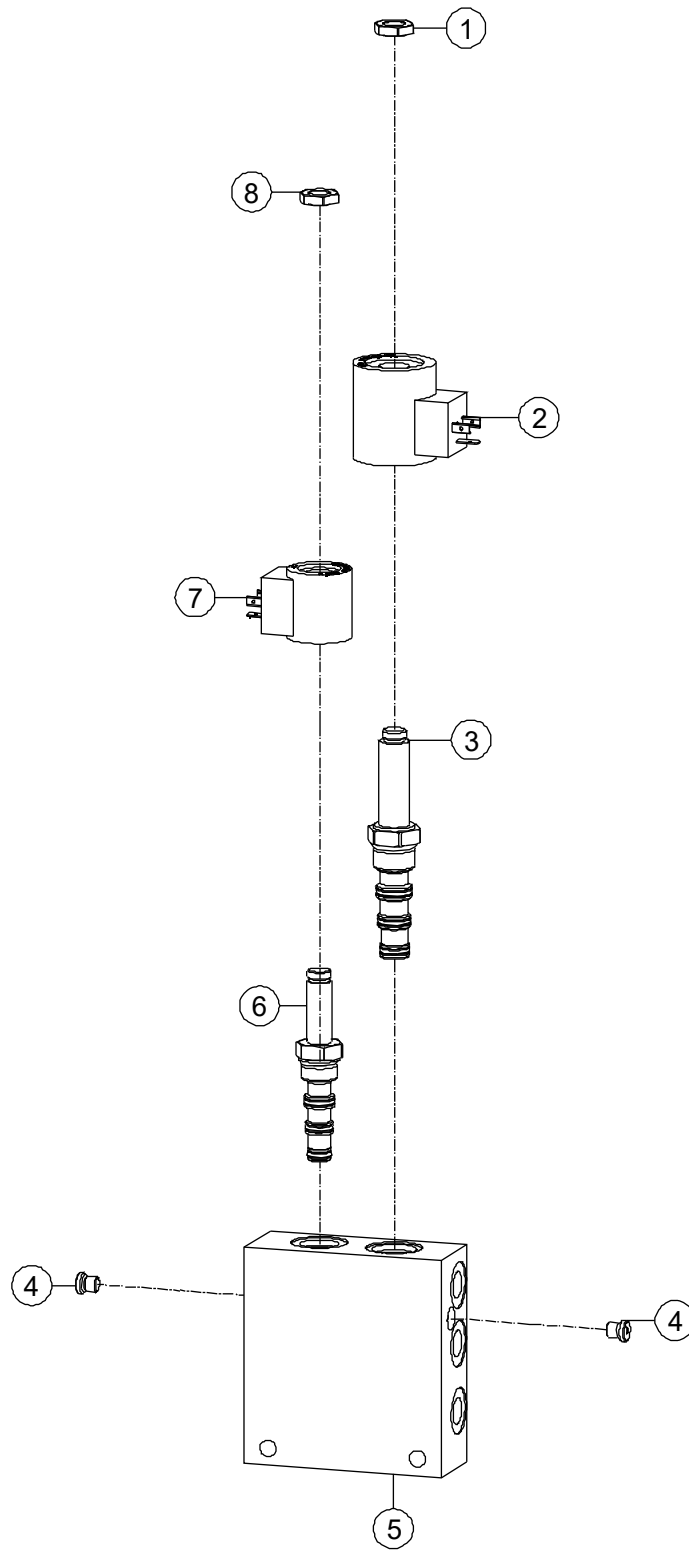
3-20 Articulating JIB Valve Block Installations



3-20 Articulating JIB Valve Block Installations

Item	Part Number	Description	Qty.	Remark
1	50008807	Support	1	
2	00001041	Bolt GB/T 5783 M10 × 40	2	
3	00000679	Spring Washer GB/T 93 10	2	
4	00001028	Flat Washer GB/T 96.1 10	2	
5	00009256	Directional Valve Assembly (<i>Refer to 3-21</i>)	1	
6	92049154	Housing	1	
7	92101000	Housing	1	
8	00000818	Bolt GB/T 5783 M6 × 16	4	
9	00000621	Spring Washer GB/T 93 6	4	
10	00002583	Flat Washer GB/T 96.1 6	4	
11	00000875	Bolt GB/T 5783 M8 × 20	4	
12	00000609	Spring Washer GB/T 93 8	6	
13	00002000	Flat Washer GB/T 96.1 8	4	
14	00001985	Bolt GB/T 5782 M8 × 55	2	
15	00000608	Flat Washer GB/T 97.1 8	2	

3-21 Directional Valve Assembly

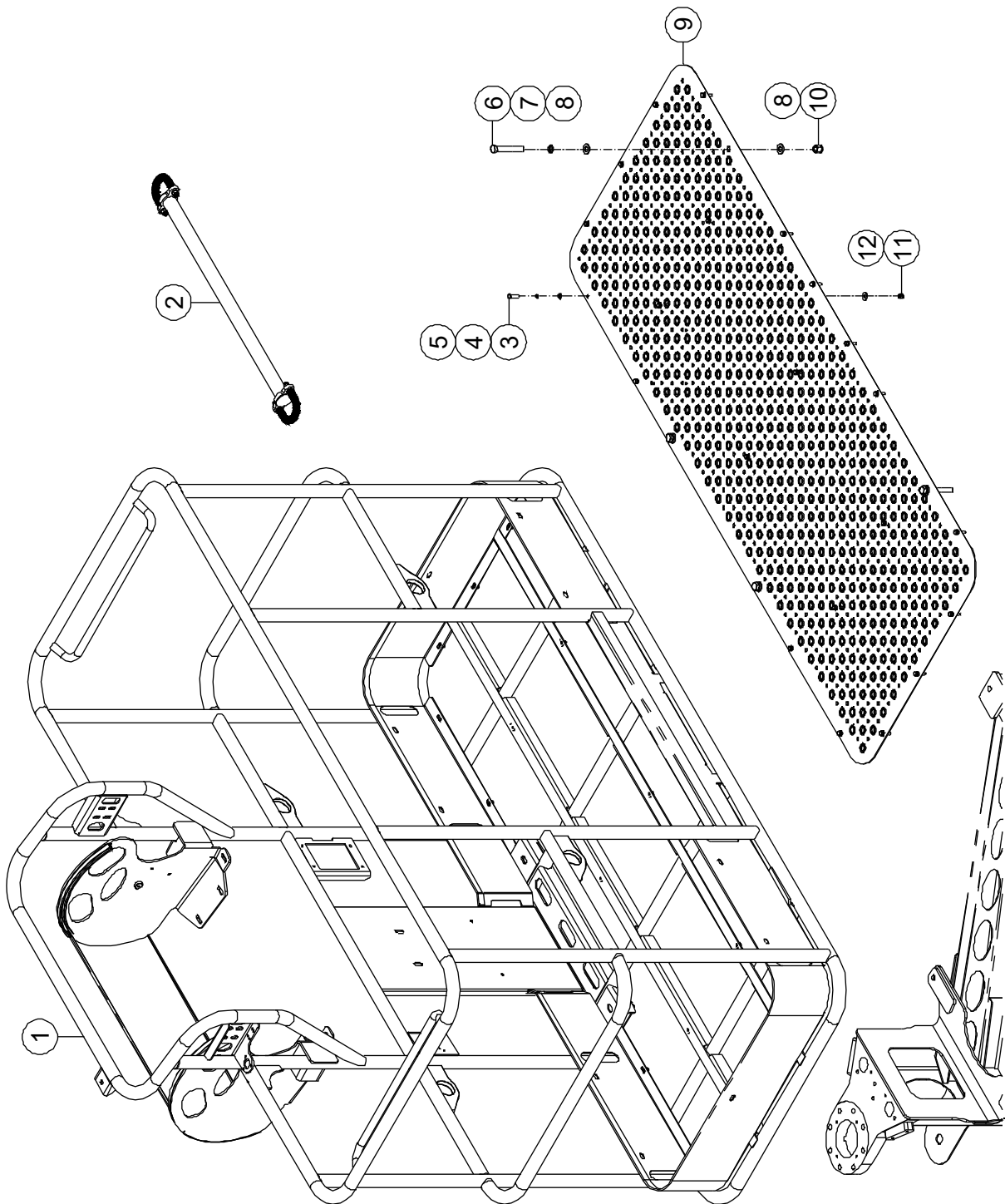


3-21 Directional Valve Assembly

Item	Part Number	Description	Qty.	Remark
1	00009502	Nut	1	
2	00009506	Coil	1	
3	00009504	Cartridge without Coil	1	
4	00002999	Plug	2	
5	00009508	Body	1	
6	00009505	Cartridge without Coil	1	
7	00009507	Coil	1	
8	00009503	Nut	1	

Section 4 Platform

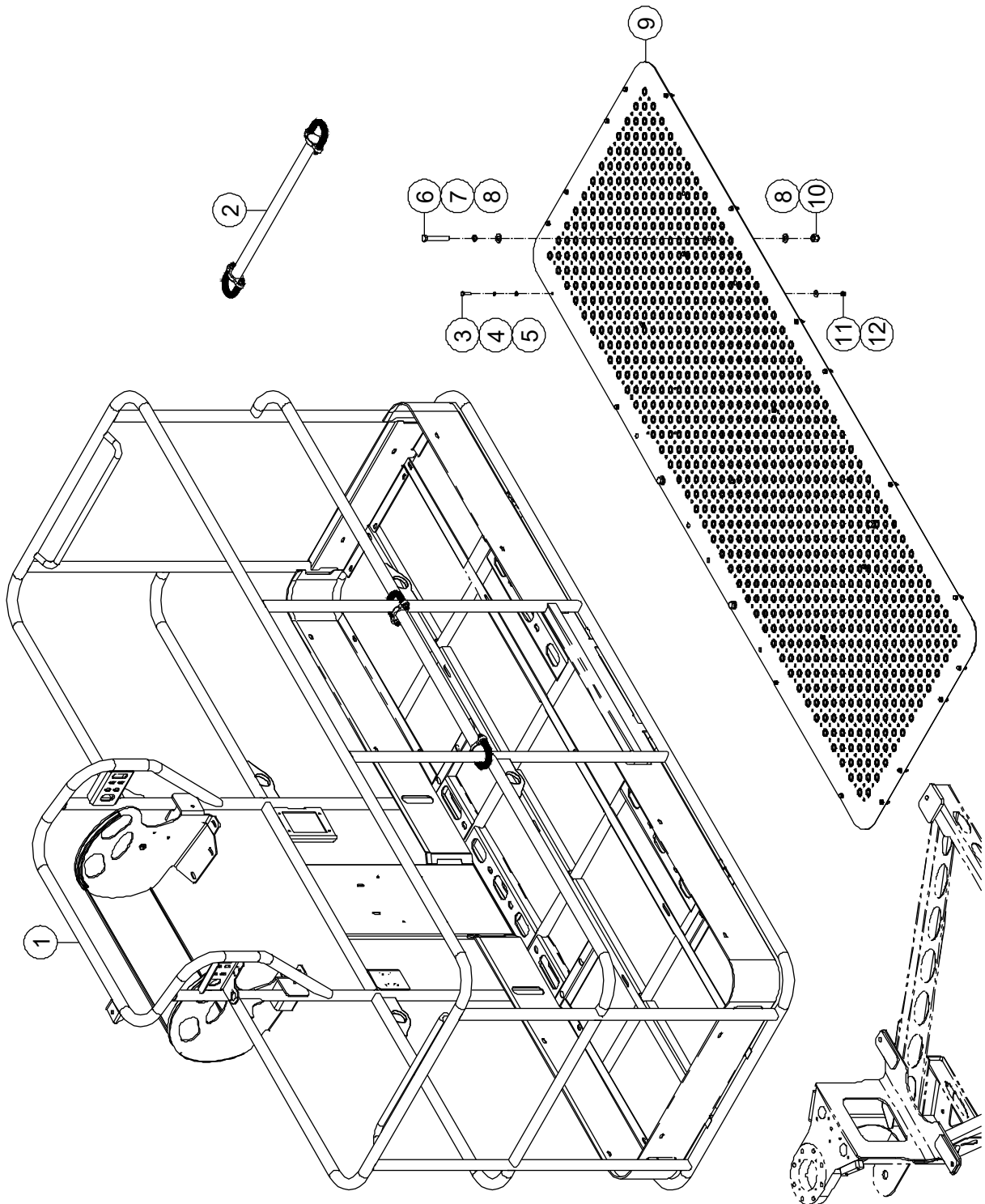
4-1 Platform Installations (1.83m×0.79m, Standard)



4-1 Platform Installations (1.83m×0.79m, Standard)

Item	Part Number	Description	Qty.	Remark
1	50005202	Platform	1	
2		Gate Assembly (Refer to 4-4)	1	
3	00000619	Bolt GB/T 5783 M6 × 25	22	
4	00000621	Spring Washer GB/T 93 6	22	
5	00000620	Flat Washer GB/T 97.1 6	22	
6	00002527	Bolt GB/T 5782 M12 × 80	4	
7	00000815	Spring Washer GB/T 93 12	4	
8	00000814	Flat Washer GB/T 97.1 12	8	
9	50005222	Deck Plate	1	
10	00001249	Nut GB/T 6182 M12	4	
11	00001033	Nut GB/T 6182 M6	22	
12	00002583	Flat Washer GB/T 96.1 6	22	

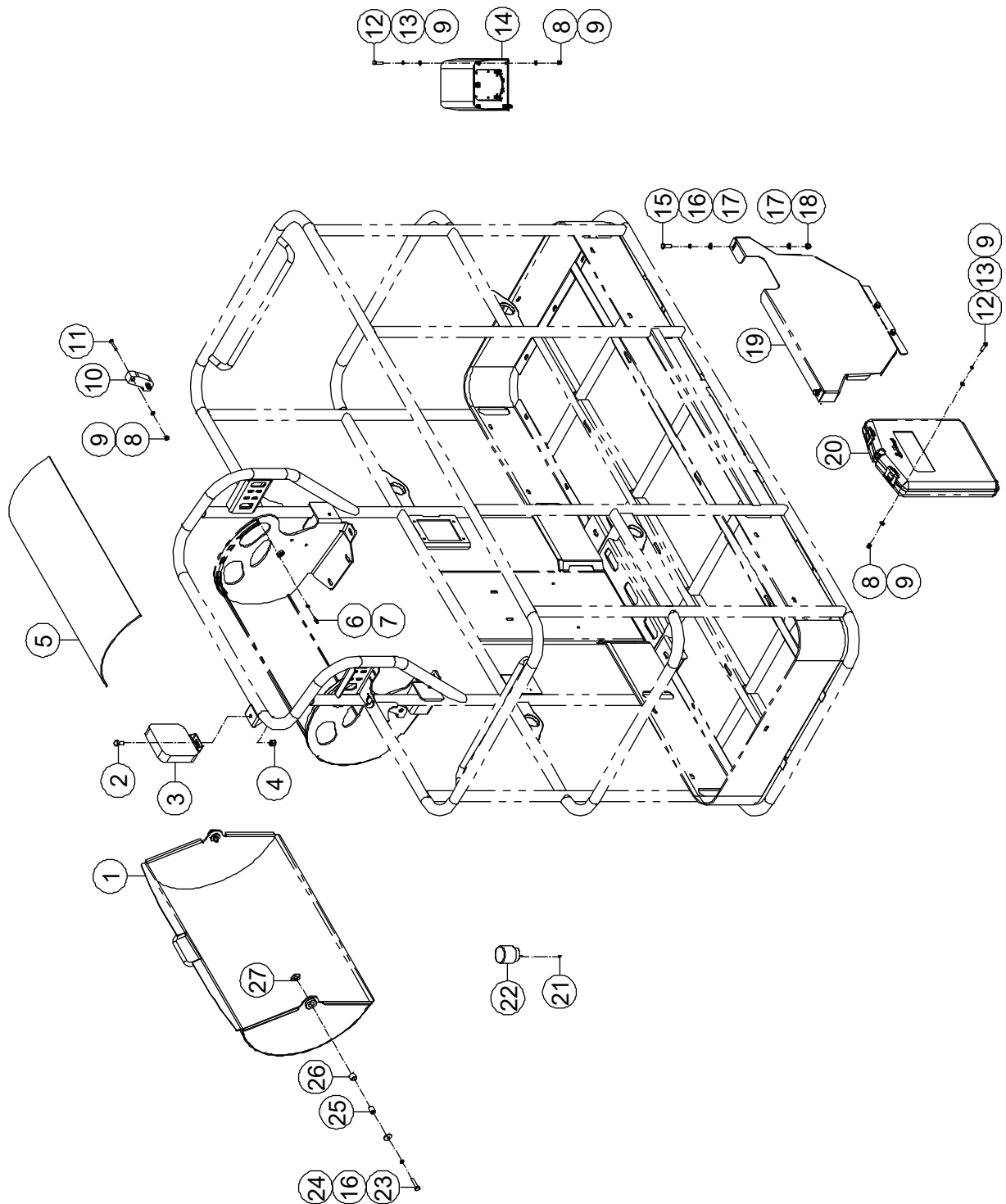
4-2 Platform Installations (2.44m×0.91m, Optional)



4-2 Platform Installations (2.44m×0.91m, Optional)

Item	Part Number	Description	Qty.	Remark
1	92100194	Platform	1	
2		Gate Assembly (Refer to 4-4)	2	
3	00000619	Bolt GB/T 5783 M6 × 25	24	
4	00000621	Spring Washer GB/T 93 6	24	
5	00000620	Flat Washer GB/T 97.1 6	24	
6	00002527	Bolt GB/T 5782 M12 × 80	4	
7	00000815	Spring Washer GB/T 93 12	4	
8	00000814	Flat Washer GB/T 97.1 12	8	
9	92102446	Deck Plate	1	
10	00001249	Nut GB/T 6182 M12	4	
11	00001033	Nut GB/T 6182 M6	24	
12	00002583	Flat Washer GB/T 96.1 6	24	

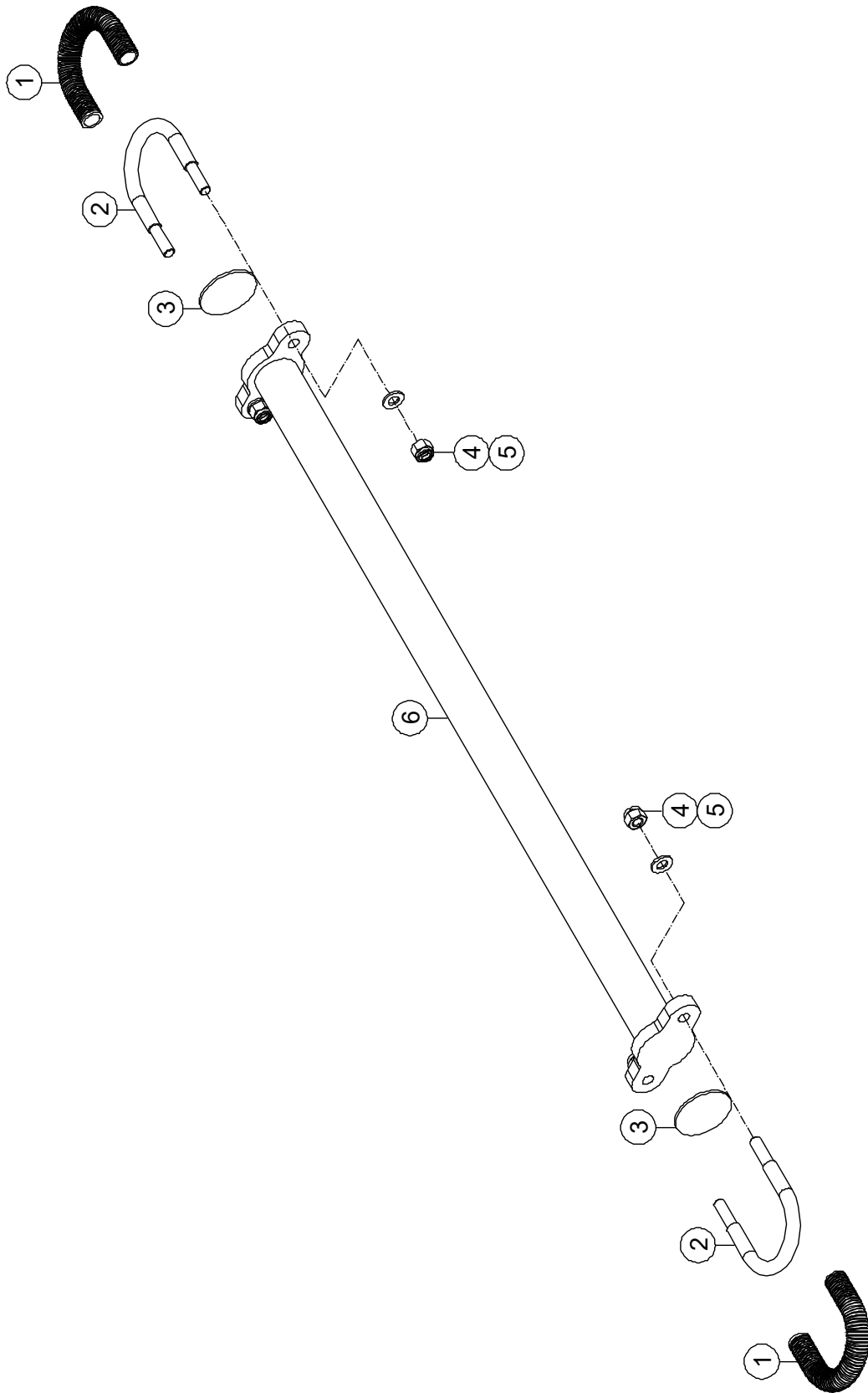
4-3 Platform Assembly



4-3 Platform Assembly

Item	Part Number	Description	Qty.	Remark
1	92000051	Shield	1	
2	00000674	Bolt GB/T 5783 M10 × 20	1	
3	00006753	Head Light	1	
4	00000623	Nut GB/T 6182 M10	1	
5	92000228	Shield, Plastic	1	
6	00001030	Screw GB/T 70 M5 × 10	2	
7	00000688	Nut GB/T 6170 M5	2	
8	00001033	Nut GB/T 6182 M6	12	
9	00000620	Flat Washer GB/T 97.1 6	20	
10	92000057	Plate, Limit	2	
11	00000863	Screw GB/T 70.3 M6×35	4	
12	00000619	Bolt GB/T 5783 M6 × 25	8	
13	00000621	Spring Washer GB/T 93 6	8	
14	00005212	Footswitch	1	
15	00000993	Bolt GB/T 5783 M8 × 25	4	
16	00000609	Spring Washer GB/T 93 8	6	
17	00000608	Flat Washer GB/T 97.1 8	8	
18	00001163	Nut GB/T 6182 M8	4	
19	92000050	Plate, Decal	1	
20	50000555	Box, Manual	1	
21	00003700	Nut GB/T 889.1 M3	3	
22	00005190	Beacon	1	
23	00002488	Bolt GB/T 5783 M8 × 35	2	
24	00002000	Flat Washer GB/T 96.1 8	2	
25	92030530	Axes	2	
26	92030523	Bushing	2	
27	92030152	Washer	2	

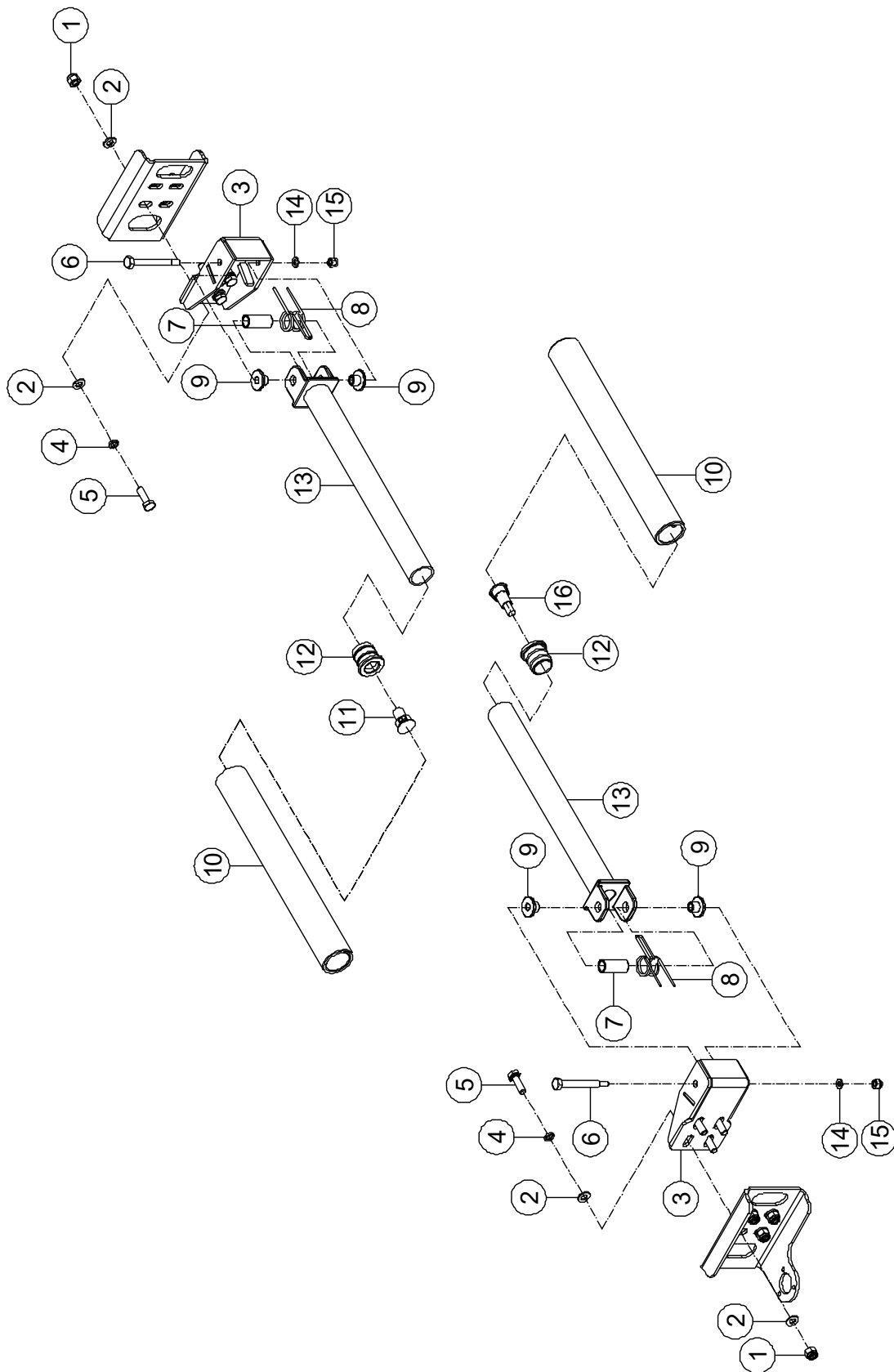
4-4 Gate Assembly



4-4 Gate Assembly

Item	Part Number	Description	Qty.	Remark
1	92100232	Jacket	2	
2	92100228	Clamp	2	
3	92100249	Anti-Scratch	2	
4	00001163	Nut GB/T 6182 M8	4	
5	00000608	Flat Washer GB/T 97.1 8	4	
6	50005448	Gate, Lift	1	1.83m×0.79m
	92100229	Gate, Lift	1	2.44m×0.91m

4-5 Lift Guard Contact Alarm

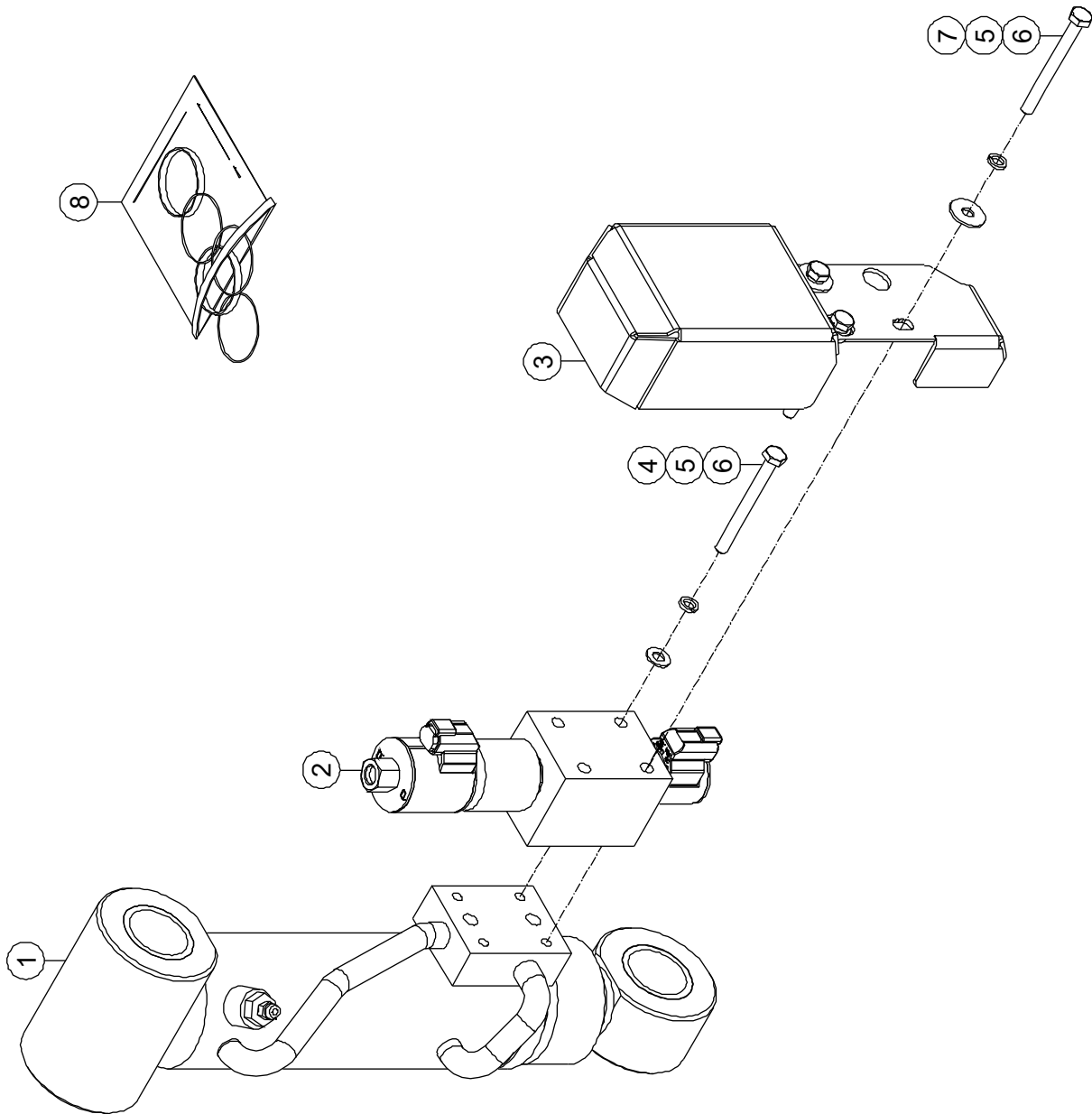


4-5 Lift Guard Contact Alarm

Item	Part Number	Description	Qty.	Remark
1	00001163	Nut GB/T 6182 M8	8	
2	00000608	Flat Washer GB/T 97.1 8	16	
3	92000231	Bracket, Contact Alarm	2	
4	00000609	Spring Washer GB/T 93 8	8	
5	00000993	Bolt GB/T 5783 M8 × 25	8	
6	92000239	Pin	2	
7	92000238	Tube	2	
8	92000237	Spring	2	
9	92000236	JDBB-1013 Bearing	4	
10	92000253	Jacket, Foam	2	
11	00006226	Magnet	1	
12	92000243	Plug, Nylon	2	
13	92000240	Tube, Contact Alarm	2	
14	00000620	Flat Washer GB/T 97.1 6	2	
15	00001033	Nut GB/T 6182 M6	2	
16	00006225	Door Magnetic Switch	1	

Section 5 Cylinder

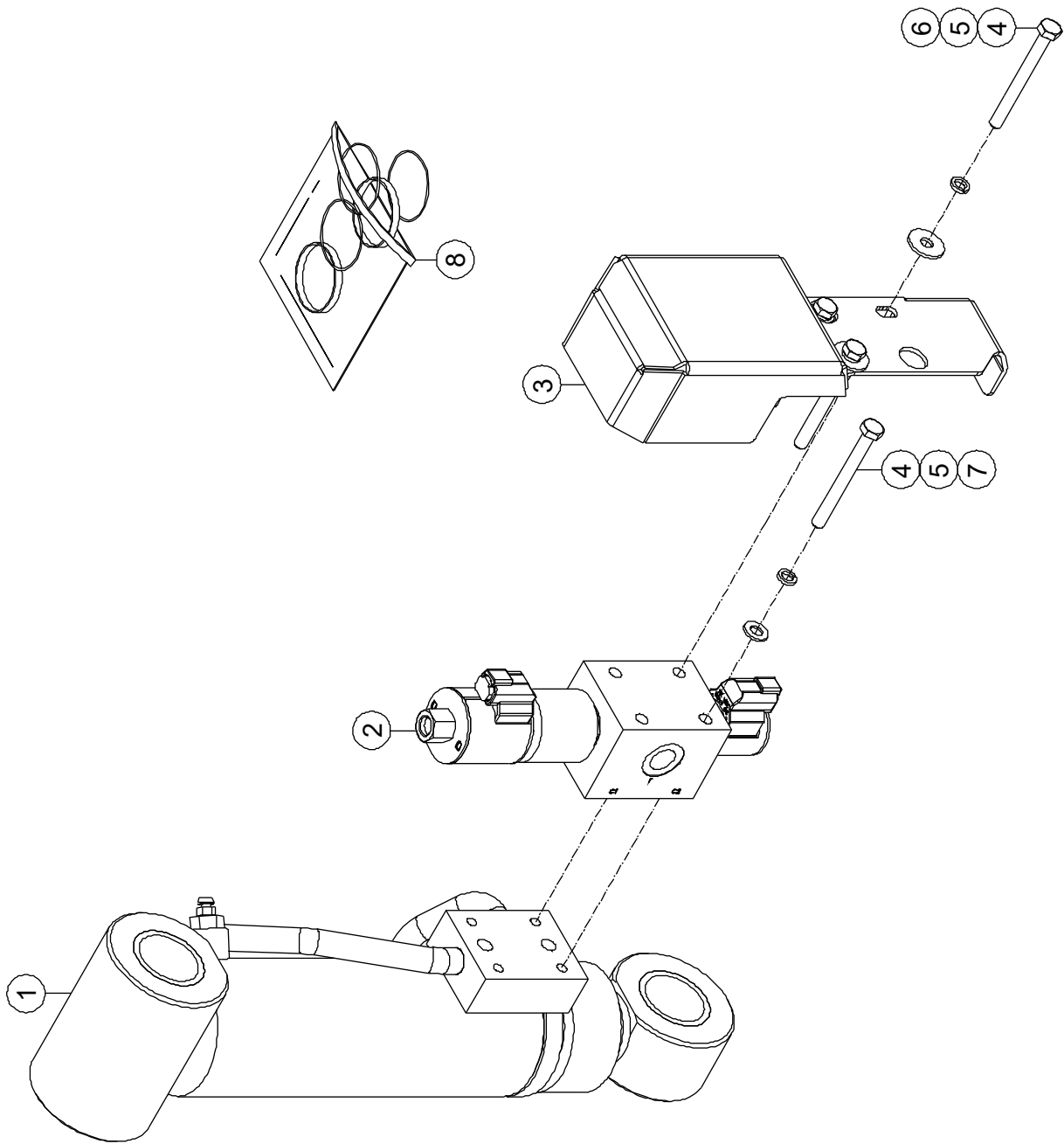
5-1 Left Axle Lockout Cylinder Assembly



5-1 Left Axle Lockout Cylinder Assembly

Item	Part Number	Description	Qty.	Remark
1	92049293	Left Axle Lockout Cylinder Assembly	1	
2	92047788	Valve	1	
3	92049302	Protective Guard	1	
4	00000608	Flat Washer GB/T 97.1 8	2	
5	00000609	Spring Washer GB/T 93 8	4	
6	00001026	Bolt GB/T 5782 M8 × 80	4	
7	00002000	Flat Washer GB/T 96.1 8	2	
8	92050380	Seal Kit 70/45	1	

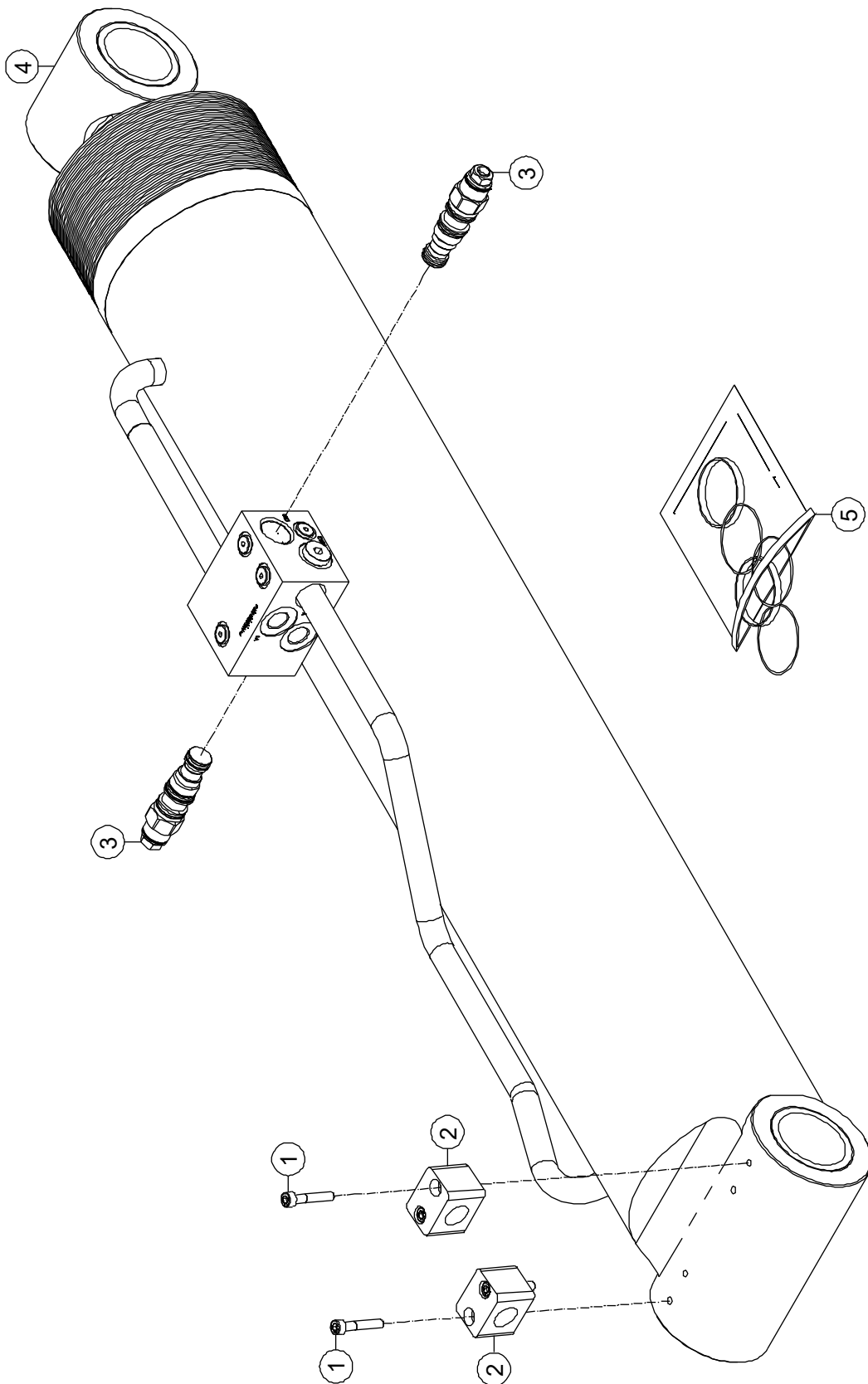
5-2 Right Axle Lockout Cylinder Assembly



5-2 Right Axle Lockout Cylinder Assembly

Item	Part Number	Description	Qty.	Remark
1	92049300	Right Axle Lockout Cylinder Assembly	1	
2	92047789	Valve	1	
3	92049303	Protective Guard	1	
4	00001026	Bolt GB/T 5782 M8 × 80	4	
5	00000609	Spring Washer GB/T 93 8	4	
6	00002000	Flat Washer GB/T 96.1 8	2	
7	00000608	Flat Washer GB/T 97.1 8	2	
8	92050380	Seal Kit 70/45	1	

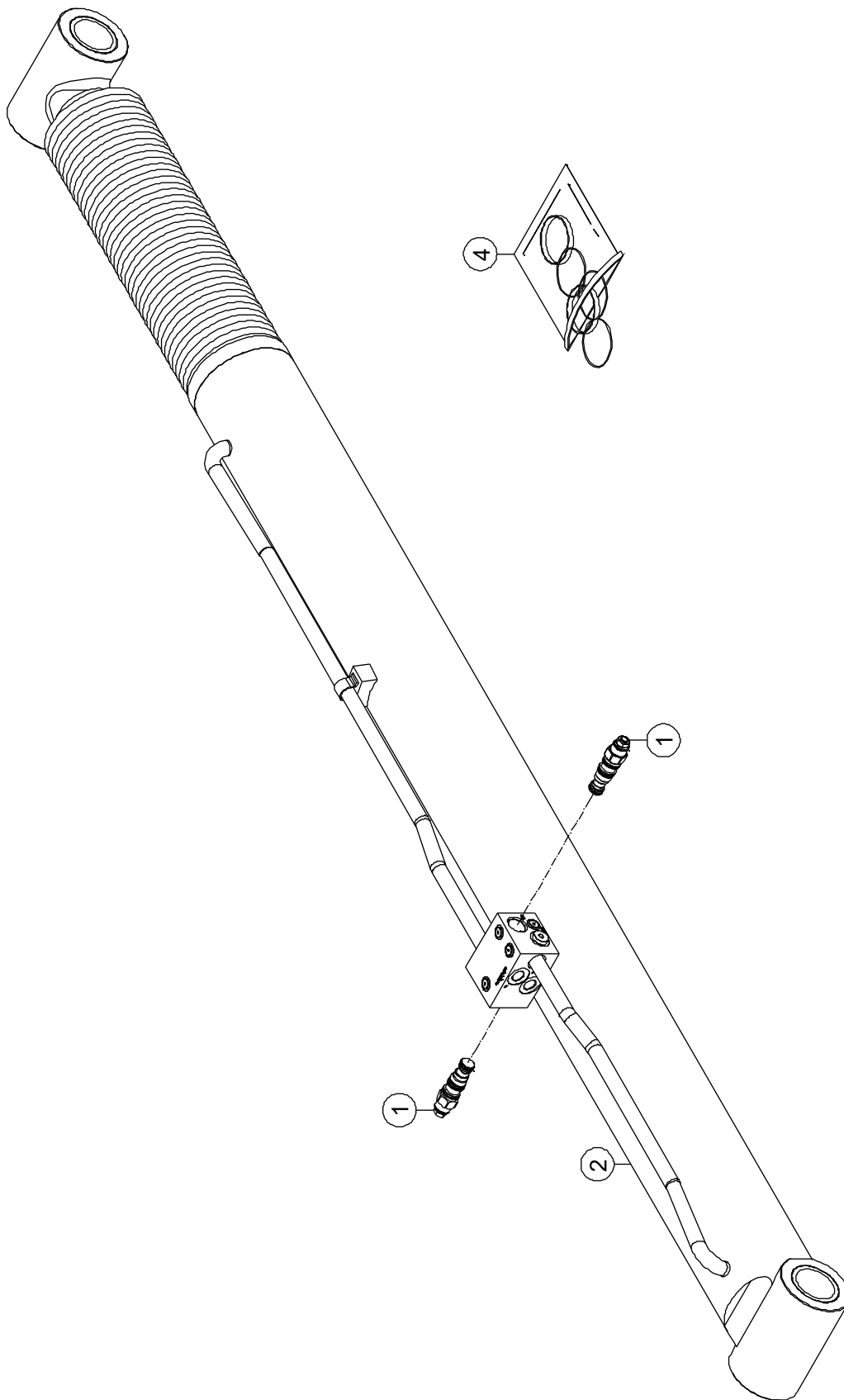
5-3 Lower Lifting Cylinder Assembly



5-3 Lower Lifting Cylinder Assembly

Item	Part Number	Description	Qty.	Remark
1	00002934	Screw GB/T 70 M6 × 35	4	
2	00004118	Clamp	2	
3	00003438	Cartridge, Valve (Counterbalance)	2	
4	50007746	Lower Lifting Cylinder Assembly	1	
5	50007745	Seal Kit 135/90	1	

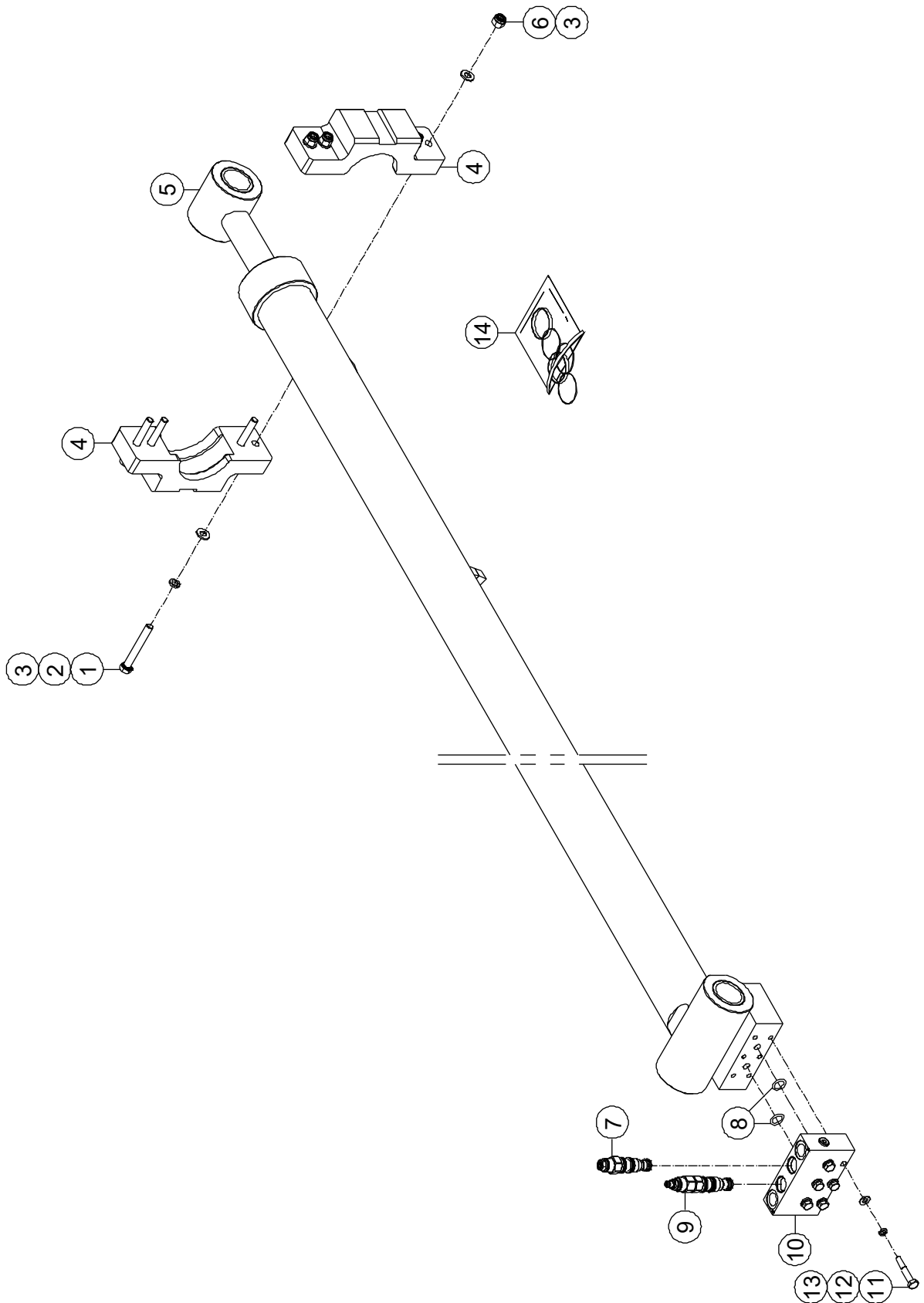
5-4 Upper Lifting Cylinder Assembly



5-4 Upper Lifting Cylinder Assembly

Item	Part Number	Description	Qty.	Remark
1	00003438	Cartridge, Valve (Counterbalance)	2	
2	50007738	Upper Lifting Cylinder Assembly	1	
3	50007743	Seal Kit 110/75	1	

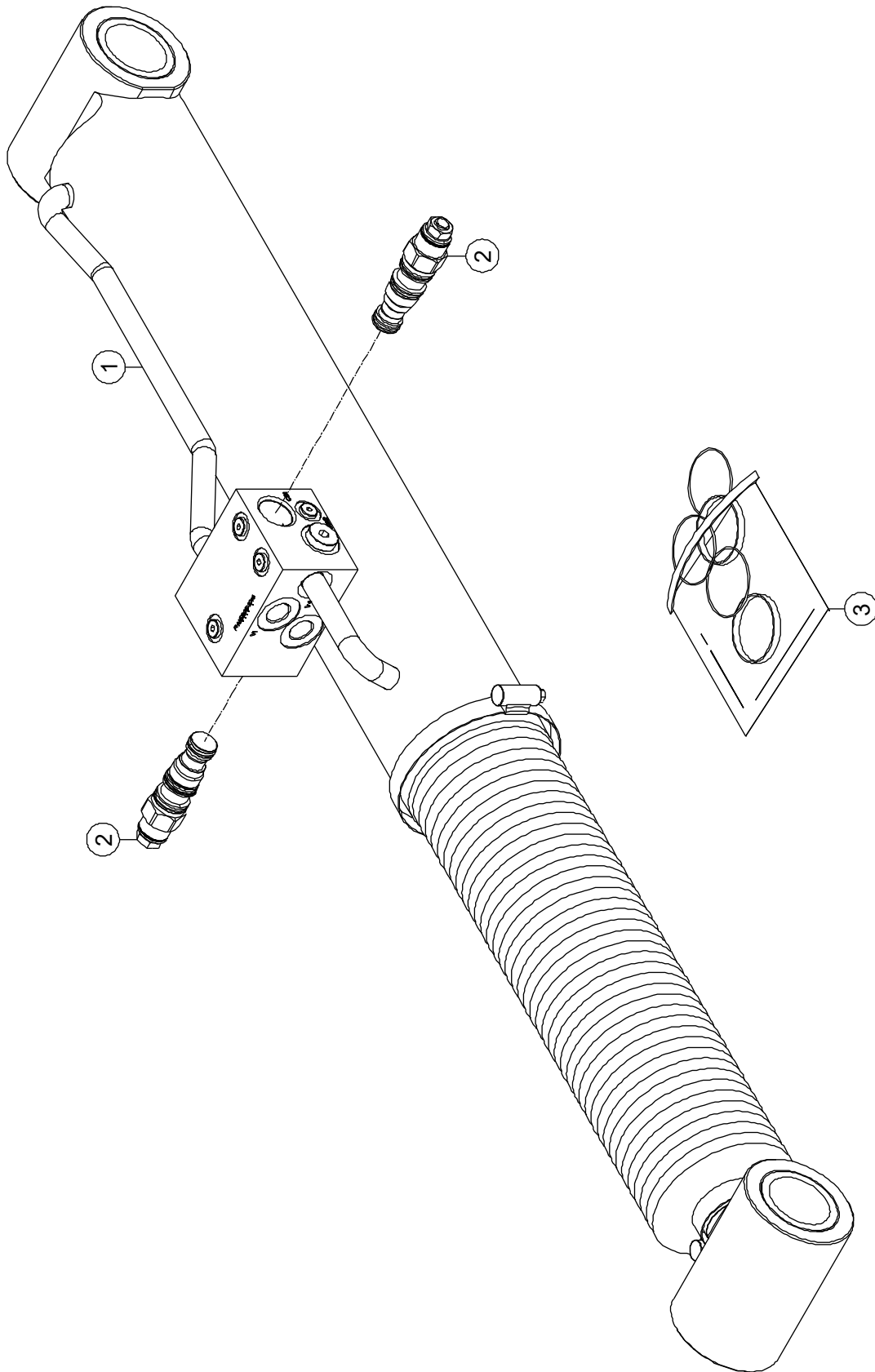
5-5 Telescope Cylinder Assembly



5-5 Telescope Cylinder Assembly

Item	Part Number	Description	Qty.	Remark
1	00000681	Bolt GB/T 5783 M10 × 80	4	
2	00000679	Spring Washer GB/T 93 10	4	
3	00000615	Flat Washer GB/T 97.1 10	8	
4	50008419	Bracket	2	BA22CERT2 BA20CERT2 BA18CERT2
	50009397	Bracket	2	BA16CERT2
5	50008014	Telescope Cylinder Assembly	1	BA22CERT2
	50008039	Telescope Cylinder Assembly	1	BA20CERT2
	50008322	Telescope Cylinder Assembly	1	BA18CERT2
	50009375	Telescope Cylinder Assembly	1	BA16CERT2
6	00000623	Nut GB/T 6182 M10	4	
7	00003435	Cartridge, Valve (Counterbalance)	1	
8	00001709	O-Ring	2	
9	00003432	Cartridge, Valve (Counterbalance)	1	
10	00003431	Body	1	
11	00002089	Bolt GB/T 5782 M8 × 50	6	
12	00000609	Spring Washer GB/T 93 8	6	
13	00000608	Flat Washer GB/T 97.1 8	6	
14	50008911	Seal Kit 63/40	1	

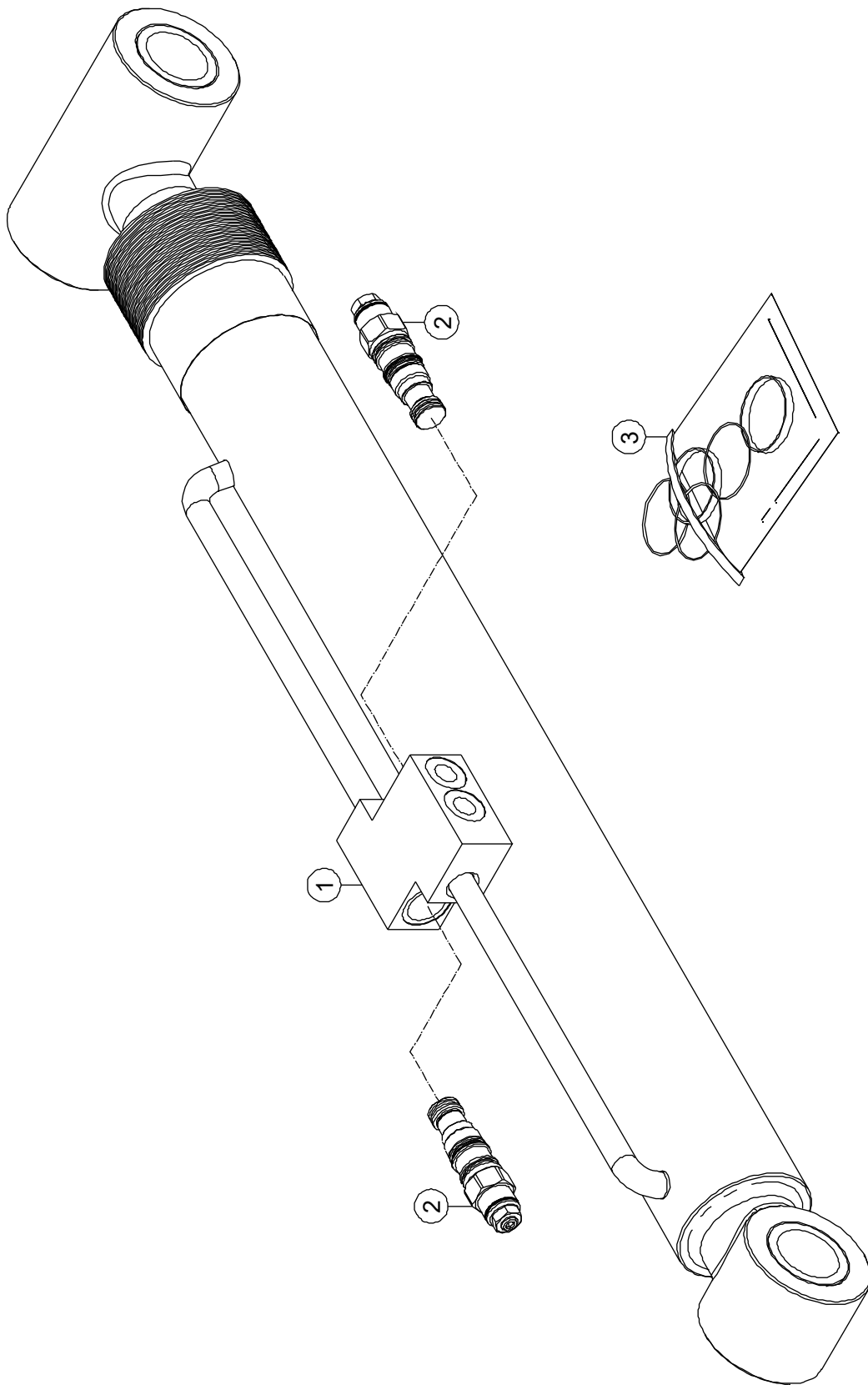
5-6 JIB Leveling Cylinder Assembly



5-6 JIB Leveling Cylinder Assembly

Item	Part Number	Description	Qty.	Remark
1	50007730	JIB Leveling Cylinder Assembly	1	
2	00004587	Cartridge, Valve (Counterbalance)	2	
3	50007736	Seal Kit 80/40	1	

5-7 JIB Lifting Cylinder Assembly

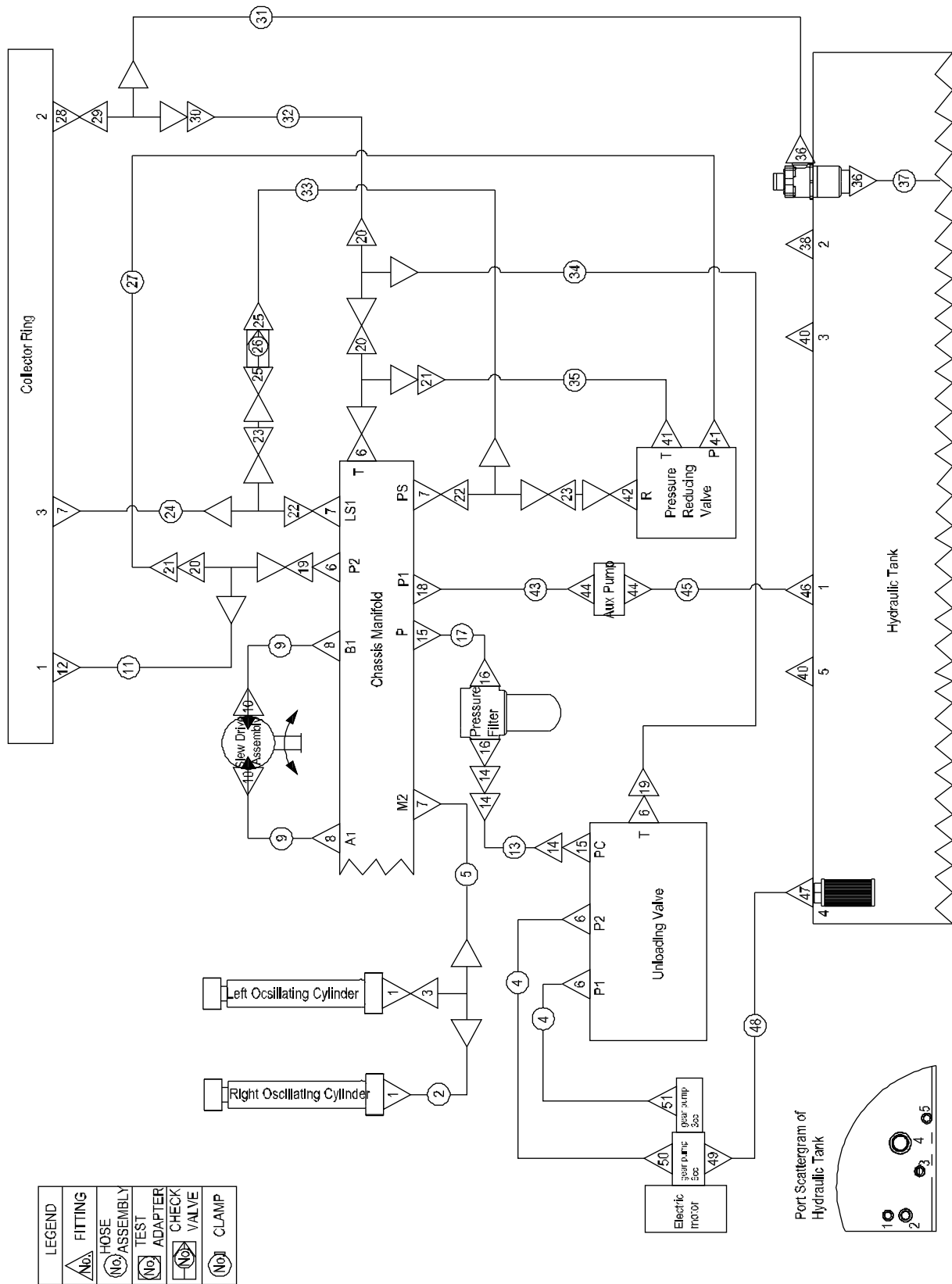


5-7 JIB Lifting Cylinder Assembly

Item	Part Number	Description	Qty.	Remark
1	50010163	JIB Lifting Cylinder Assembly	1	
2	00003419	Cartridge, Valve (Counterbalance)	2	
3	50010175	Seal Kit 63/45	1	

Section 6 Hydraulic System

6-1 Chassis Circuit 1










6-1 Chassis Circuit 1

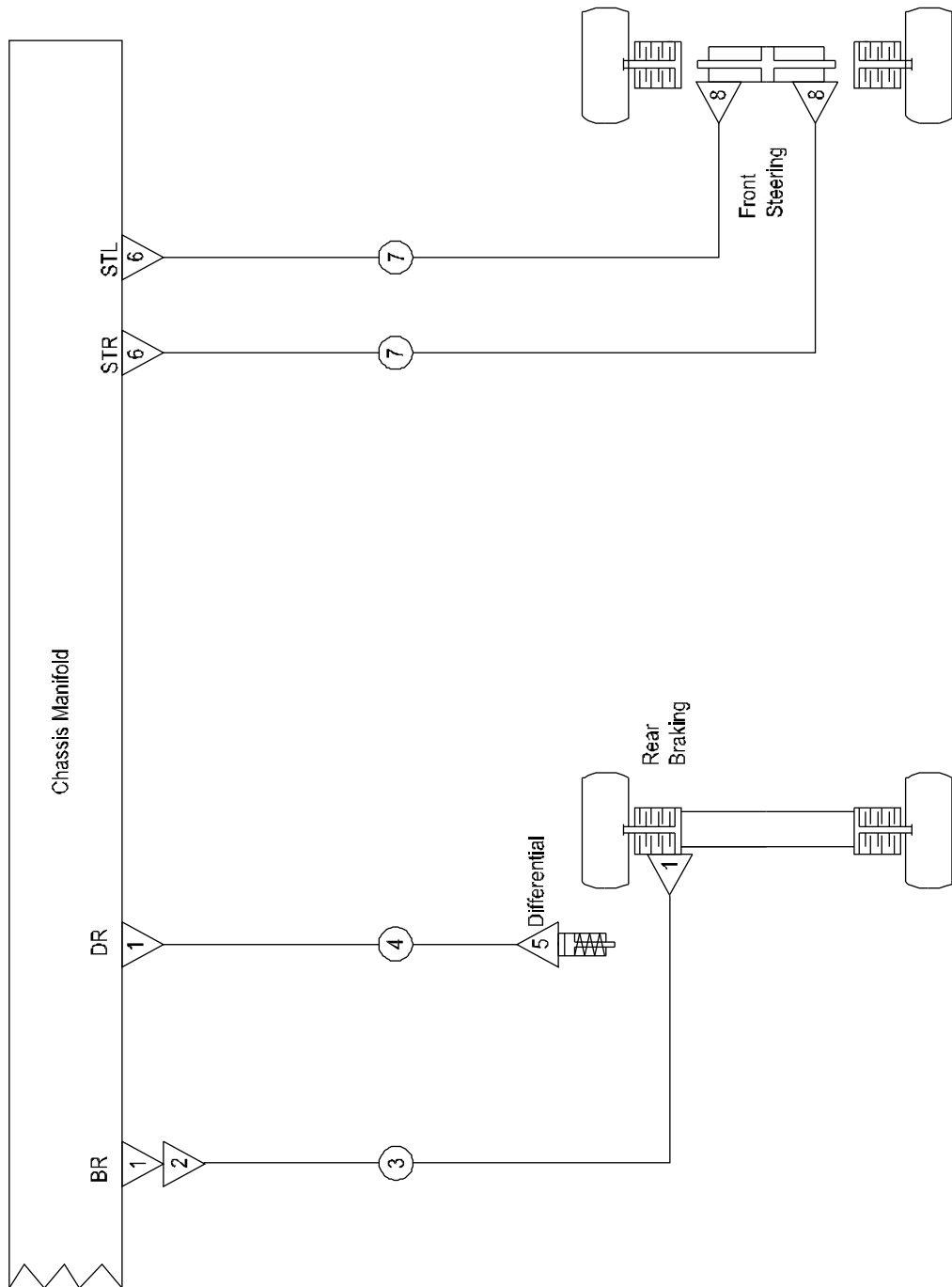
Item	Part Number	Description	Qty.	Remark
1	00004922	Fitting, 90°	2	
2	92030383	Hose Assembly	1	
3	00001239	Fitting, Tee	1	
4	50005178	Hose Assembly	2	
5	50008453	Hose Assembly	1	
6	00001266	Fitting, Straight	5	
7	00001282	Fitting, Straight	4	
8	00001291	Fitting, Straight	2	
9	50008452	Hose Assembly	2	
10	00002946	Fitting, Straight	2	
11	50008454	Hose Assembly	1	
12	00002945	Fitting, Straight	1	
13	50008662	Hose Assembly	1	
14	00001842	Fitting, 90°	3	
15	00003696	Fitting, Straight	2	
16	00003963	Fitting, Straight	2	
17	50008582	Hose Assembly	1	
18	00001262	Fitting, Straight	1	
19	00001835	Fitting, 90°	2	
20	00001240	Fitting, Tee	3	
21	00003843	Fitting, Straight	2	
22	00001237	Fitting, Tee	2	
23	00005208	Fitting, Straight	2	
24	50008455	Hose Assembly	1	
25	00005693	Fitting, Straight	2	
26	00003864	Check Valve	1	
27	50004572	Hose Assembly	1	
28	00002070	Fitting, Straight	1	
29	00002123	Fitting, Tee	1	

6-1 Chassis Circuit 1 (Continued)

Item	Part Number	Description	Qty.	Remark
30	00005691	Fitting, Straight	1	
31	50008466	Hose Assembly	1	
32	50004557	Hose Assembly	1	
33	50008660	Hose Assembly	1	
34	50003330	Hose Assembly	1	
35	50006465	Hose Assembly	1	
36	00002071	Fitting, Straight	2	
37	10000069	Tube, return	1	
38	00001115	Plug	1	
39				Not used
40	00001114	Plug	2	
41	00001772	Fitting, Straight	2	
42	00002072	Fitting, Straight	1	
43	50008465	Hose Assembly	1	
44	00001501	Fitting, Straight	2	
45	50008464	Hose Assembly	1	
46	00001504	Fitting, Straight	1	
47	00001731	Fitting, Straight	1	
48	50008661	Hose Assembly	1	
49	00001783	Fitting, Straight	1	
50	00001776	Fitting, Straight	1	
51	00006269	Fitting, Straight	1	

6-2 Chassis Circuit 2 (2WS)

LEGEND
 FITTING
 HOSE
 ASSEMBLY
 TEST
 ADAPTER
 CHECK VALVE
 CLAMP

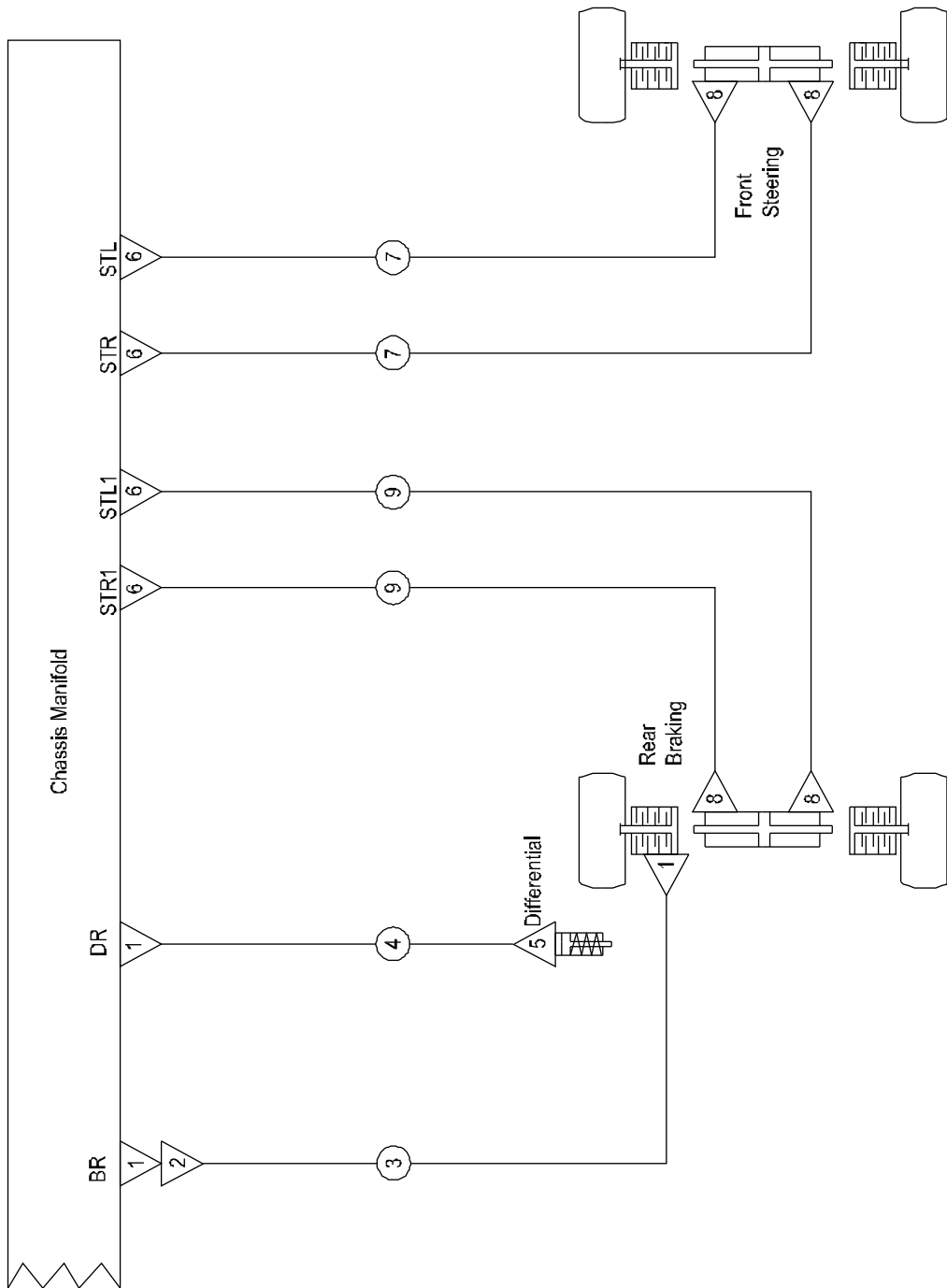


6-2 Chassis Circuit 2 (2WS)

Item	Part Number	Description	Qty.	Remark
1	00001282	Fitting, Straight	3	
2	00001832	Fitting, 90°	1	
3	50008449	Hose Assembly	1	
4	50008451	Hose Assembly	1	
5	00007172	Fitting, Straight	1	
6	00001291	Fitting, Straight	2	
7	50008450	Hose Assembly	2	
8	00001292	Fitting, Straight	2	

6-3 Chassis Circuit 2 (4WS)

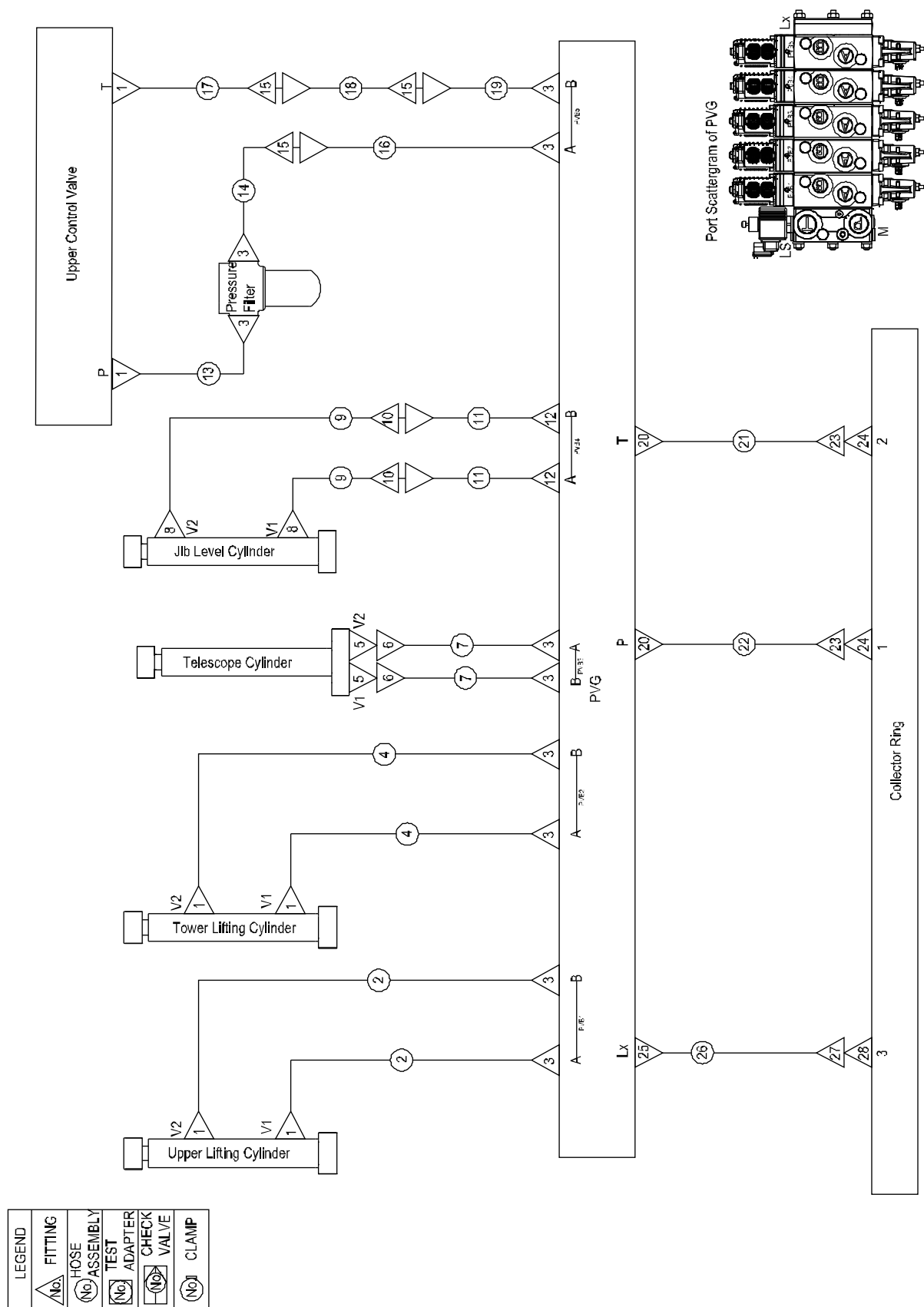
LEGEND	
	FITTING
	HOSE
	HOSE ASSEMBLY
	TEST ADAPTER
	CHECK VALVE
	CLAMP



6-3 Chassis Circuit 2 (4WS)

Item	Part Number	Description	Qty.	Remark
1	00001282	Fitting, Straight	3	
2	00001832	Fitting, 90°	1	
3	50008449	Hose Assembly	1	
4	50008451	Hose Assembly	1	
5	00007172	Fitting, Straight	1	
6	00001291	Fitting, Straight	4	
7	50008450	Hose Assembly	2	
8	00001292	Fitting, Straight	4	
9	50008937	Hose Assembly	2	

6-4 Turntable Circuit



LEGEND	
	FITTING
	HOSE
	ASSEMBLY
	TEST ADAPTER
	CHECK VALVE
	CLAMP

6-4 Turntable Circuit

Item	Part Number	Description	Qty.	Remark
1	00001291	Fitting, Straight	6	
2	50008480	Hose Assembly	2	BA22CERT2 BA20CERT2 BA18CERT2
	50008482	Hose Assembly	2	BA16CERT2
3	00001500	Fitting, Straight	10	
4	50008481	Hose Assembly	2	BA22CERT2 BA20CERT2 BA18CERT2
	50008653	Hose Assembly	2	BA16CERT2
5	00001292	Fitting, Straight	2	
6	00001833	Fitting, 90°	4	
7	50008654	Hose Assembly	2	BA22CERT2 BA20CERT2 BA18CERT2
	50008482	Hose Assembly	2	BA16CERT2
8	00002921	Fitting, Straight	2	
9	50008926	Hose Assembly	2	BA22CERT2
	50008620	Hose Assembly	2	BA20CERT2
	50008630	Hose Assembly	2	BA18CERT2
	50008644	Hose Assembly	2	BA16CERT2
10	00002135	Fitting, Bulkhead, Straight	2	
11	50008483	Hose Assembly	2	BA22CERT2 BA20CERT2 BA18CERT2
	50008655	Hose Assembly	2	BA16CERT2
12	00001313	Fitting, Straight	2	
13	50009322	Hose Assembly	1	
14	50009393	Hose Assembly	1	BA22CERT2
	50009391	Hose Assembly	1	BA20CERT2
	50009389	Hose Assembly	1	BA18CERT2
	50008641	Hose Assembly	1	BA16CERT2
15	00002136	Fitting, Bulkhead, Straight	3	

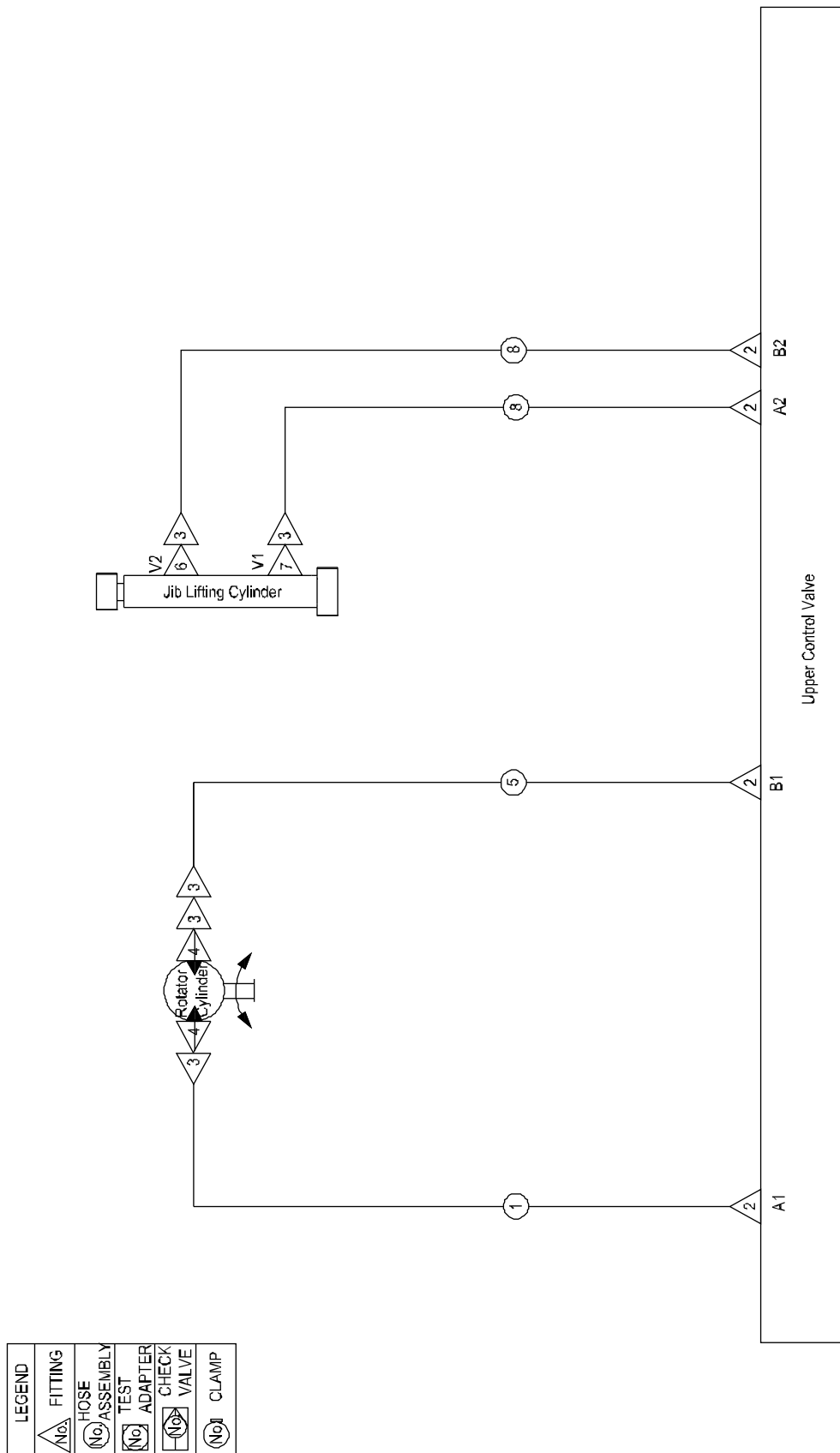
6-4 Turntable Circuit (Continued)

Item	Part Number	Description	Qty.	Remark
16	50008486	Hose Assembly	1	BA22CERT2
	50008625	Hose Assembly	1	BA20CERT2
	50008638	Hose Assembly	1	BA18CERT2
	50008658	Hose Assembly	1	BA16CERT2
17	50009323	Hose Assembly	1	
18	50009394	Hose Assembly	1	BA22CERT2
	50009392	Hose Assembly	1	BA20CERT2
	50009390	Hose Assembly	1	BA18CERT2
	50008642	Hose Assembly	1	BA16CERT2
19	50008485	Hose Assembly	1	BA22CERT2
	50008624	Hose Assembly	1	BA20CERT2
	50008637	Hose Assembly	1	BA18CERT2
	50008657	Hose Assembly	1	BA16CERT2
20	00001508	Fitting, Straight	2	
21	50008478	Hose Assembly	1	BA22CERT2
	50006486	Hose Assembly	1	BA20CERT2
	50008634	Hose Assembly	1	BA18CERT2
	50008585	Hose Assembly	1	BA16CERT2
22	50008477	Hose Assembly	1	BA22CERT2
	50008454	Hose Assembly	1	BA20CERT2
	50008633	Hose Assembly	1	BA18CERT2
	50008651	Hose Assembly	1	BA16CERT2
23	00001835	Fitting, 90°	2	
24	00002945	Fitting, Straight	2	
25	00001316	Fitting, Straight	1	
26	50008479	Hose Assembly	1	BA22CERT2
	50008622	Hose Assembly	1	BA20CERT2
	50008635	Hose Assembly	1	BA18CERT2
	50008652	Hose Assembly	1	BA16CERT2

6-4 Turntable Circuit (Continued)

Item	Part Number	Description	Qty.	Remark
27	00001832	Fitting, 90°	1	
28	00001282	Fitting, Straight	1	

6-5 JIB Circuit

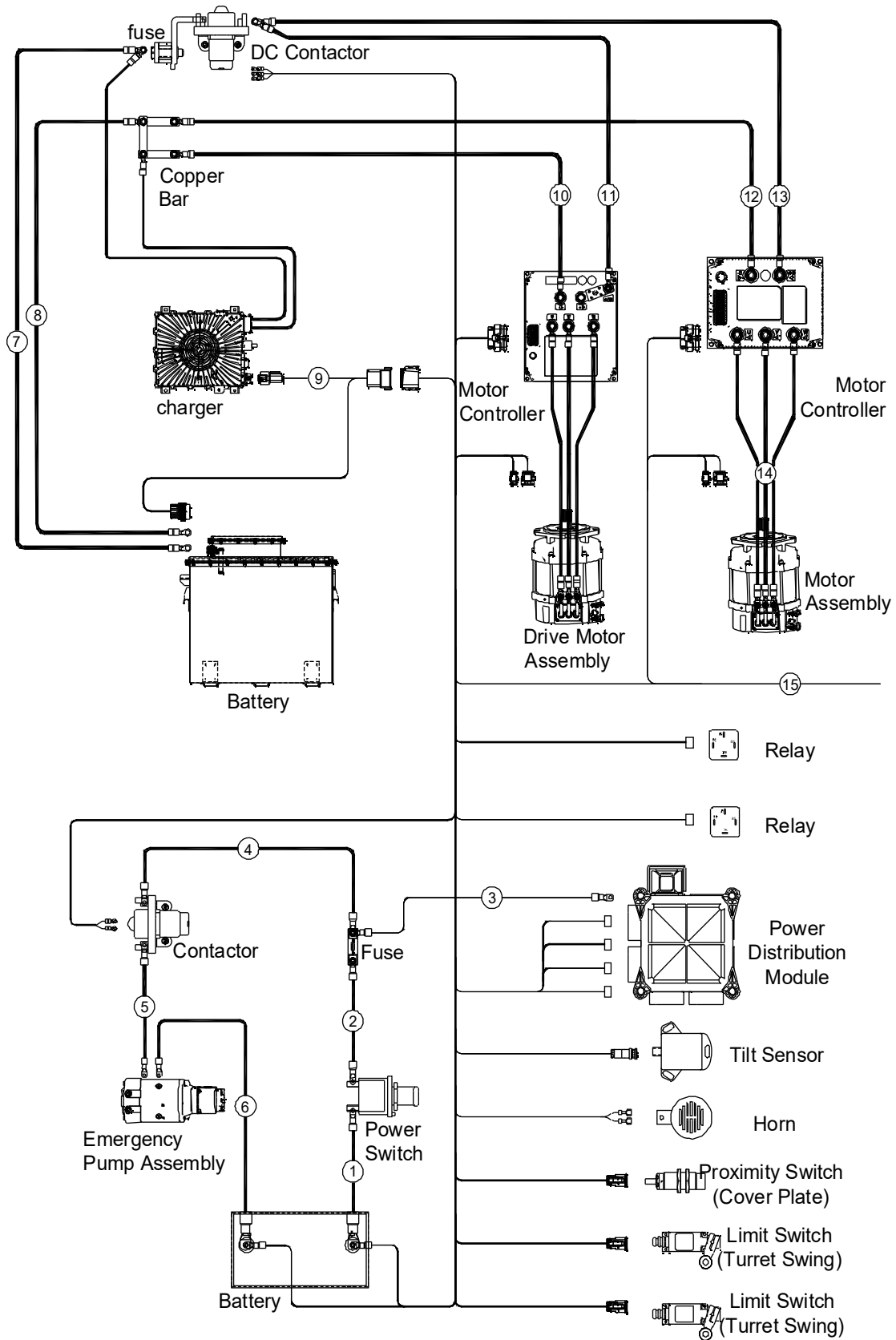


6-5 JIB Circuit

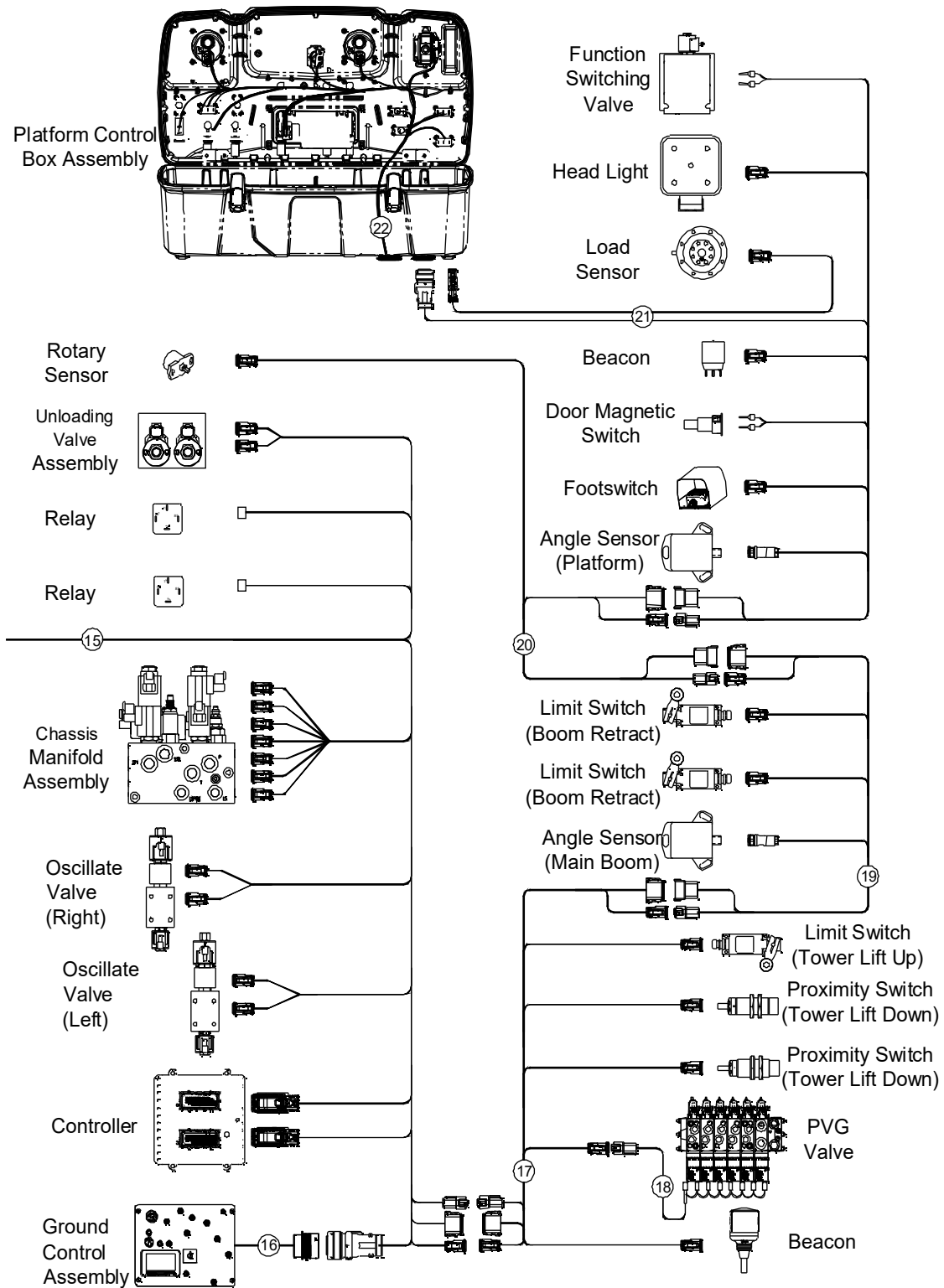
Item	Part Number	Description	Qty.	Remark
1	50008472	Hose Assembly	1	
2	00002921	Fitting, Straight	4	
3	00001832	Fitting, 90°	5	
4	00001769	Fitting, Straight	2	
5	50008473	Hose Assembly	1	
6	00003758	Fitting, Straight	1	
7	00001282	Fitting, Straight	1	
8	50008471	Hose Assembly	2	

Section 7 Electrical System

7-1 Electrical Harness



7-1 Electrical Harness (Continued)



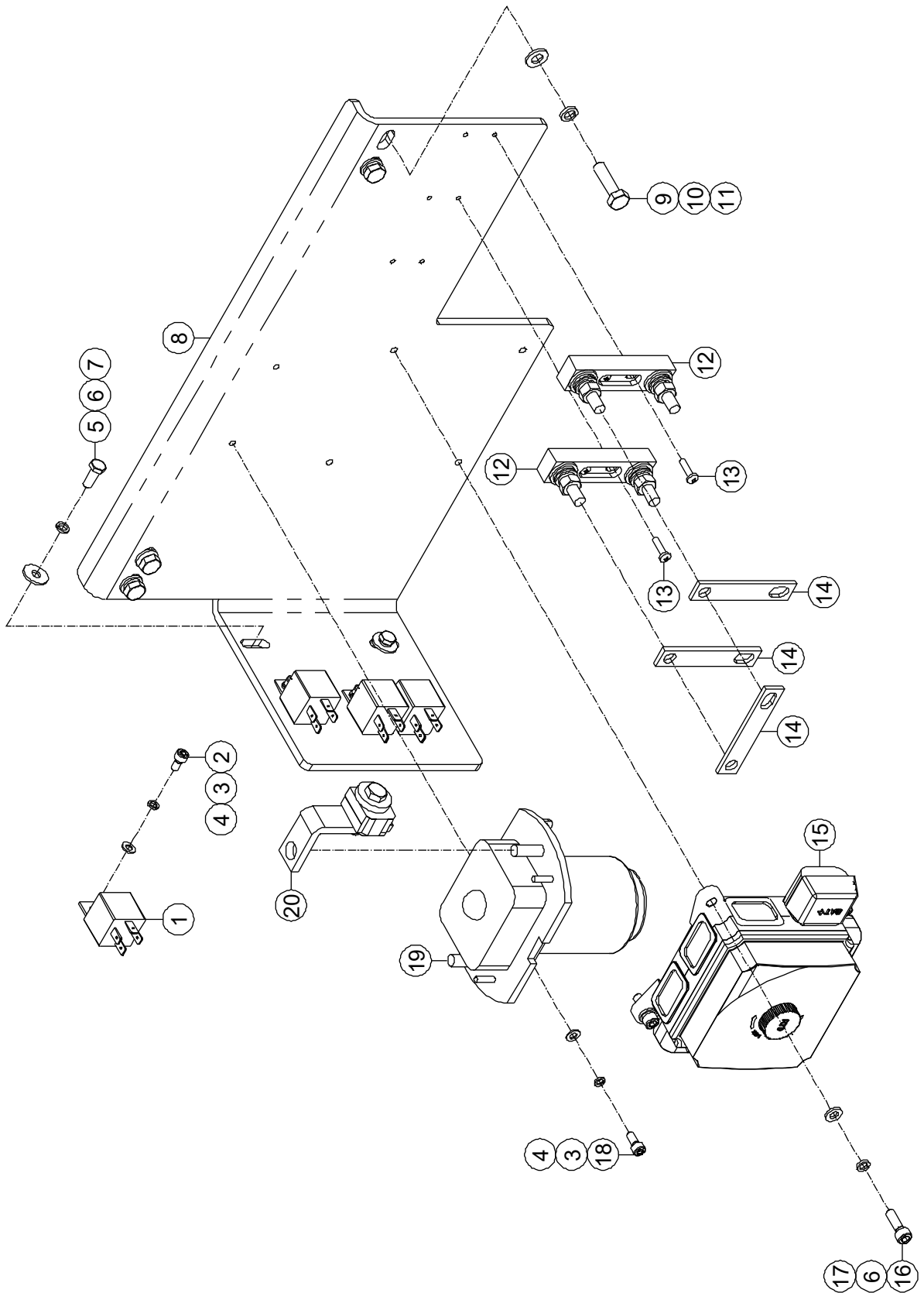
7-1 Electrical Harness

Item	Part Number	Description	Qty.	Remark
1	00010439	12V Battery Positive Harness	1	
2	00010466	12V Fuse Harness	1	
3	00010468	Fuse Box Power Harness	1	
4	00010467	12V Contactor Harness	1	
5	00010551	Emergency Pump Positive Harness	1	
6	00010552	Emergency Pump Negative Harness	1	
7	00010882	Lithium Battery Positive Harness	1	Lithium Battery
	00010433	48V Battery Positive Harness	1	Lead-acid Battery BA16CERT2 BA18CERT2
	00012441	48V Battery Positive Harness	1	Lead-acid Battery BA20CERT2 BA22CERT2
8	00010883	Lithium Battery Negative Harness	1	Lithium Battery
	00010434	48V Battery Negative Harness	1	Lead-acid Battery BA16CERT2 BA18CERT2
	00012442	48V Battery Negative Harness	1	Lead-acid Battery BA20CERT2 BA22CERT2
9	00010881	Lithium Battery Communication Harness	1	Lithium Battery
	00010637	Charger Protect Harness	1	Lead-acid Battery
10	00010437	Drive Controller Positive Harness	1	
11	00010438	Drive Controller Negative Harness	1	
12	00010435	Pump Controller Positive Harness	1	
13	00010436	Pump Controller Negative Harness	1	
14	00010553	Pump Motor Harness	1	
15	00010426	Chassis Harness	1	
16	00009736	Ground Control Plane Harness	1	
17	00009597	Tower Boom Harness	1	BA16CERT2

7-1 Electrical Harness (Continued)

Item	Part Number	Description	Qty.	Remark
17	00009738	Tower Boom Harness	1	BA18CERT2
	00009733	Tower Boom Harness	1	BA20CERT2
	00010267	Tower Boom Harness	1	BA22CERT2
18	00008113	PVG-1939 CANBUS Resistance	1	Standard
	00008114	PVG-1939 Harness	4	
	00008115	PVG-1939 Power Harness	1	
	00011217	PVG Valve Harness		Optional
19	00009610	Main Boom Harness	1	BA16CERT2
	00009739	Main Boom Harness	1	BA18CERT2
	00009734	Main Boom Harness	1	BA20CERT2
	00010268	Main Boom Harness	1	BA22CERT2
20	00010265	Jib Harness	1	
21	00011787	Platform Harness	1	
--	00011895	Load Sensor Harness	1	
22	00011786	Platform Control Box Harness	1	

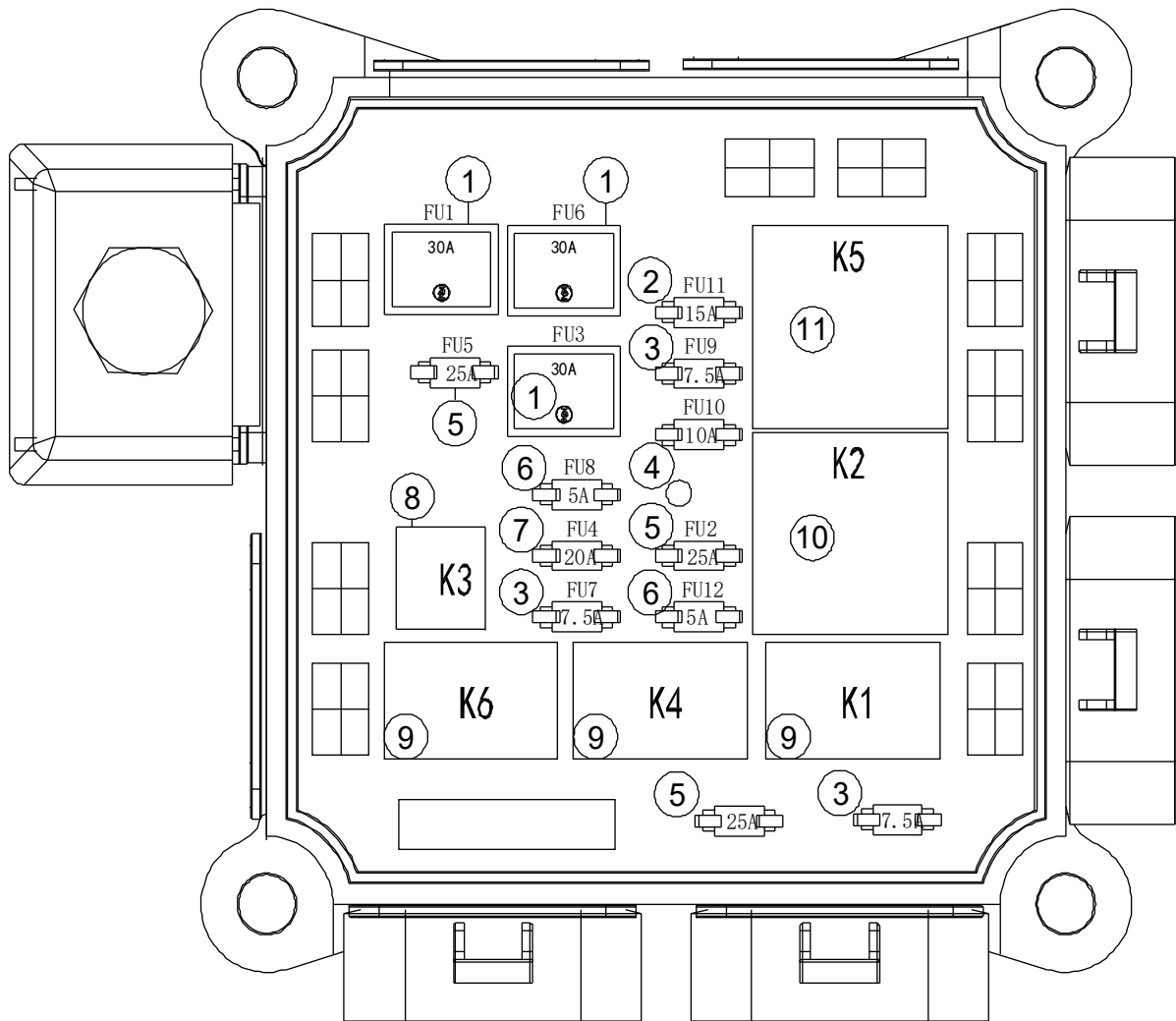
7-2 Electrical Installations



7-2 Electrical Installations

Item	Part Number	Description	Qty.	Remark
1	00006280	Relay	4	
2	00001030	Screw GB/T 70 M5 × 10	4	
3	00000606	Spring Washer GB/T 93 5	6	
4	00000605	Flat Washer GB/T 97.1 5	6	
5	00000818	Bolt GB/T 5783 M6 × 16	2	
6	00000621	Spring Washer GB/T 93 6	6	
7	00002583	Flat Washer GB/T 96.1 6	2	
8	92101749	Support	1	
9	00000995	Bolt GB/T 5783 M8 × 30	4	
10	00000609	Spring Washer GB/T 93 8	4	
11	00000608	Flat Washer GB/T 97.1 8	4	
12	00000757	Seat, Fuse	2	
13	00001232	Screw GB/T 818 M4 × 16 - H	4	
14	50000099	Copper Bar 3	3	
15	00006155	Power Distribution Module (<i>Refer to 7-3</i>)	1	
16	00000774	Screw GB/T 70 M6 × 20	4	
17	00000620	Flat Washer GB/T 97.1 6	4	
18	00001252	Screw GB/T 70 M5 × 12	2	
19	00005407	Contactoer	1	
20	00010402	600A Fuse	1	

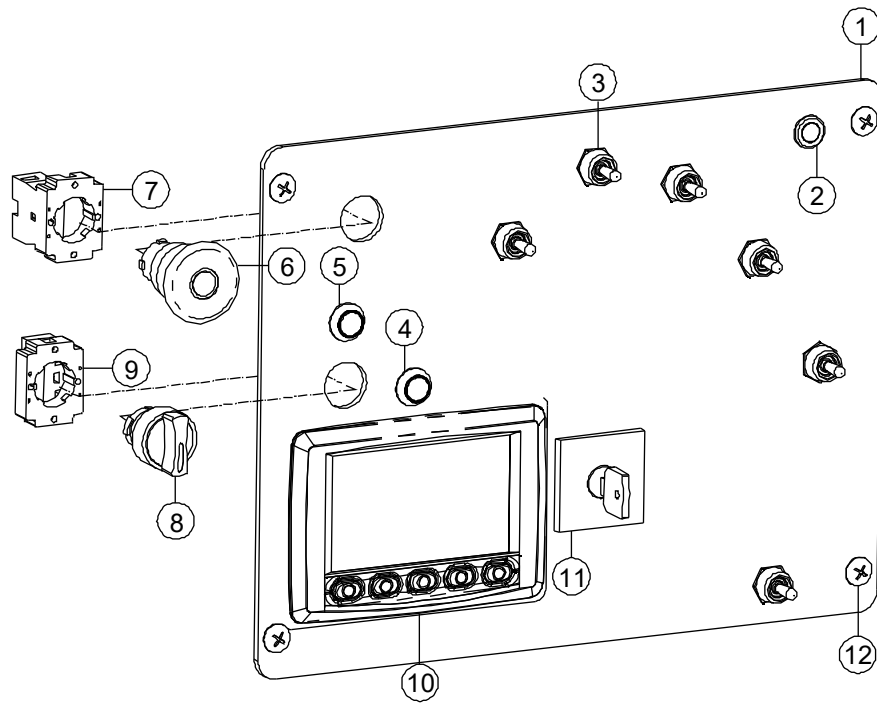
7-3 Power Distribution Module



7-3 Power Distribution Module

Item	Part Number	Description	Qty.	Remark
1	00010918	Fuse 30A	3	
2	00010916	Fuse 15A	1	
3	00010914	Fuse 7.5A	3	
4	00010915	Fuse 10A	1	
5	00010930	Fuse 25A	2	
6	00010913	Fuse 5A	2	
7	00010917	Fuse 20A	1	
8	00010921	Relay	1	
9	00010919	Relay	3	
10	00010920	Relay	1	
11	00010922	Relay	1	

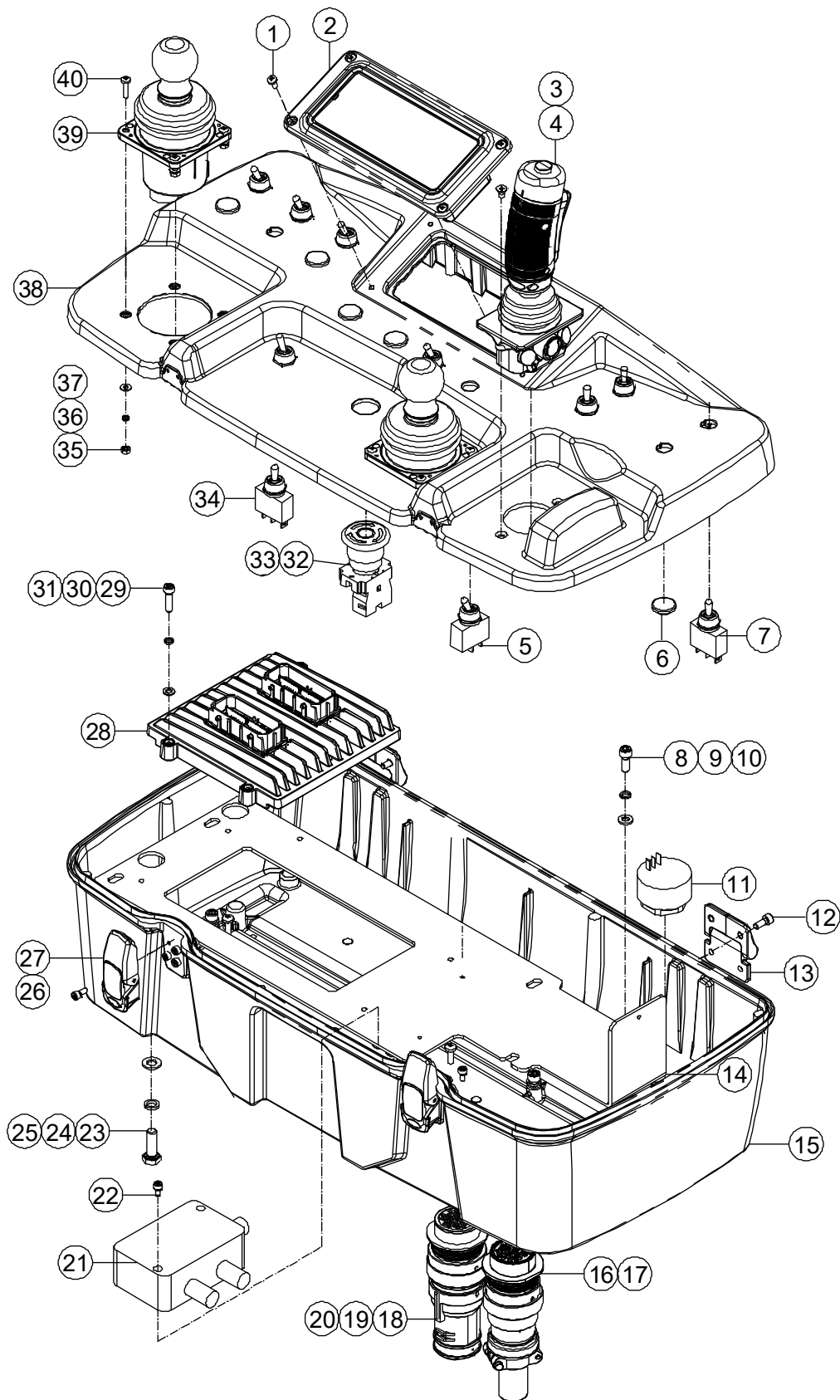
7-4 Ground Control Panel Assembly



7-4 Ground Control Panel Assembly

Item	Part Number	Description	Qty.	Remark
1	50007414	Panel	1	
2	00003162	Indicator, Red	1	
3	00006135	Switch, Toggle	7	
4	00006154	Push Button, Red	1	
5	00006137	Push Button, Red	1	
6	00000754	Red Mushroom Head	1	
7	00000752	Base With 1 NC Contact	1	
8	00002566	Select Switch Head	1	
9	00002346	Base With 1 NO Contact	1	
10	85000141	Display	1	
11	00006133	Key Switch	1	
12	00001018	Screw GB/T 973 M6 × 14	4	

7-5 Platform Control Box Assembly



7-5 Platform Control Box Assembly

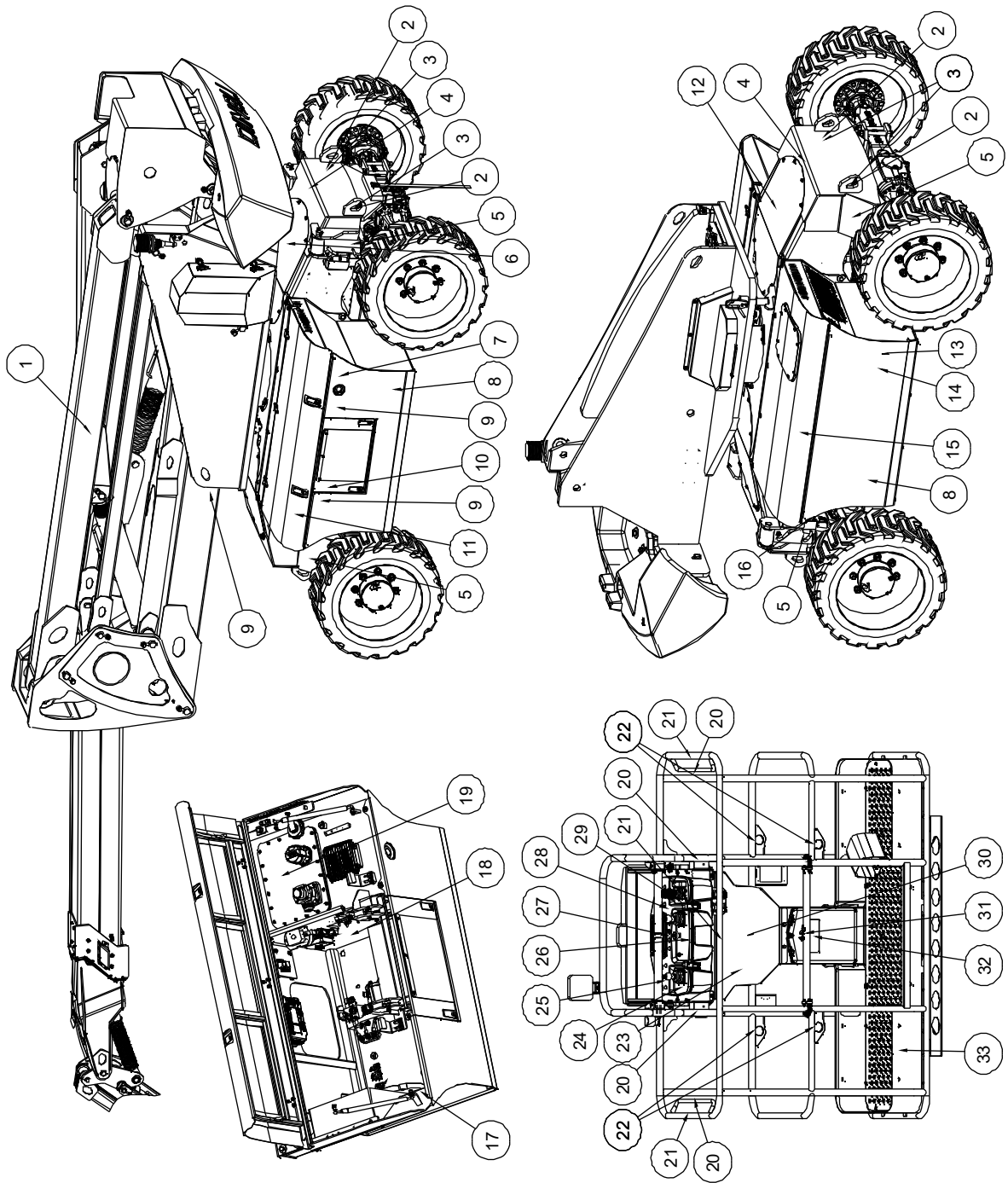
Item	Part Number	Description	Qty.	Remark
--	92000091	Platform Control Box Assembly (Include item 12, 13, 15, 26, 27, 38)	1	
1	00002333	Screw GB/T 818 M4 × 8 - H	4	
2	00005395	LED Panel	1	
3	00005459	Screw GB/T 819 M5 × 8 - H	2	
4	00005393	Joystick (Steer & Drive)	1	
5	00006134	Switch, Toggle	6	
6	00000667	Plug, Toggle Switch	6	2WS Only
	00000667	Plug, Toggle Switch	5	4WS Only
7	00005401	Switch, Toggle	1	2WS Only
	00005401	Switch, Toggle	2	4WS Only
8	00000876	Screw GB/T 70 M6 × 16	5	
9	00000621	Spring Washer GB/T 93 6	5	
10	00000620	Flat Washer GB/T 97.1 6	5	
11	00002326	Alarm	1	
12	00001252	Screw GB/T 70 M5 × 12	8	
13	00005391	Hinge	2	
14	92000094	Bracket	1	
15	92000092	Platform Control Box	1	
16	00005396	Housing for Male Terminals	1	
17	00005398	Housing for Female Terminals	1	
18	00004693	Back shell	1	
19	00005399	Housing for Female Terminals	1	
20	00005397	Housing for Male Terminals	1	
21	00003164	Load Sensor Amplifier	1	
22	00001987	Screw GB/T 70 M4 × 8	2	
23	00000993	Bolt GB/T 5783 M8 × 25	4	
24	00000609	Spring Washer GB/T 93 6	4	
25	00000608	Flat Washer GB/T 97.1 6	4	

7-5 Platform Control Box Assembly (Continued)

Item	Part Number	Description	Qty.	Remark
26	00002002	Screw GB/T 70 M4 × 10	8	
27	00005392	Latch	2	
28	85000138	Controller	1	
29	00000605	Flat Washer GB/T 97.1 5	4	
30	00000606	Spring Washer GB/T 93 5	4	
31	00000817	Screw GB/T 70 M5 × 20	4	
32	00000752	Base With 1 NC Contact	1	
33	00000754	Red Mushroom Head	1	
34	00006135	Switch, Toggle	2	
35	00002712	Nut GB/T 6170 M4	8	
36	00000779	Spring Washer GB/T 93 4	8	
37	00000778	Flat Washer GB/T 97.1 4	8	
38	92000093	Cover, Platform Control Box	1	
39	00005394	Joystick	2	
40	00001232	Screw GB/T 818 M4 × 16 - H	8	

Section 8 Decals

8-1 Decals Installations



8-1 Decals Installations

Item	Part Number	Description	Qty.	Remark
1	09630224	Decal, Label-BA22CERT2	1	BA22CERT2
	09630225	Decal, Label-BA20CERT2	1	BA20CERT2
	09630226	Decal, Label-BA18CERT2	1	BA18CERT2
	09630227	Decal, Label-BA16CERT2	1	BA16CERT2
2	09310366	Decal, Instructions-Tie down point	4	
3	09320014	Decal, Instructions-Lift point	4	
4	09410117	Decal, Symbols-Crushing hazard	2	
5	09310207	Decal, Instructions-Maximum wheel load 4520kg	4	BA22CERT2
	09310140	Decal, Instructions-Maximum wheel load 4030kg	4	BA20CERT2 BA18CERT2
	09310199	Decal, Instructions-Maximum wheel load 3830kg	4	BA16CERT2
6	09310251	Decal, Instructions-Black arrow forward	1	
7	09310527	Decal, Notice-Check the hydraulic oil level	1	
8	09610194	Decal, Label-BA22CERT2	2	BA22CERT2
	09610195	Decal, Label-BA20CERT2	2	BA20CERT2
	09610196	Decal, Label-BA18CERT2	2	BA18CERT2
	09610197	Decal, Label-BA16CERT2	2	BA16CERT2
9	09410118	Decal, Symbols-Hand crushing hazard	4	
10	09410151	Decal, Warning-Emergency system overriding	1	
11	09910139	Decal, Label-22m	1	BA22CERT2
	09910140	Decal, Label-20m	1	BA20CERT2
	09910141	Decal, Label-18m	1	BA18CERT2
	09910142	Decal, Label-16m	1	BA16CERT2
12	09310250	Decal, Instructions-White arrow reverse	1	
13	09410244	Decal, Symbols-Slope rating	1	BA22CERT2
	09410245	Decal, Symbols-Slope rating	1	BA16CERT2 BA18CERT2 BA20CERT2
14	09410048	Decal, Symbols-Explosion/burn hazard	1	







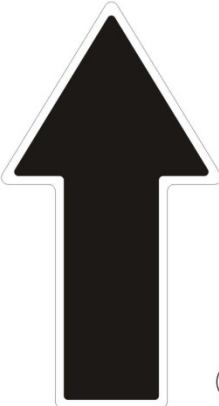

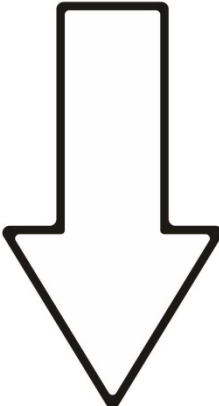












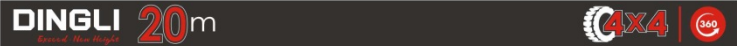



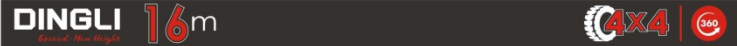




8-1 Decals Installations (Continued)

Item	Part Number	Description	Qty.	Remark
15	09910126	Decal, Label-22m	1	2WS,
	09910107	Decal, Label-20m	1	2WS
	09910108	Decal, Label-18m	1	2WS
	09910109	Decal, Label-16m	1	2WS
	09910143	Decal, Label-22m	1	4WS
	09910144	Decal, Label-20m	1	4WS
	09910145	Decal, Label-18m	1	4WS
	09910146	Decal, Label-16m	1	4WS
16	09310355	Decal, Symbols-Battery charging instructions	1	(Standard)
	09310493	Decal, Symbols-Battery charging instructions	1	(Optional)
17	09310078	Decal, Symbols-Main power switch operation	1	
18	09410139	Decal, Symbols-Injection hazard	1	
19	09310252	Decal, Instructions-Hydraulic	1	
20	09340070	Decal, Symbols-Non operating hand position	4	
21	09440212	Decal, Warning-Crushing hazard	3	
22	09340041	Decal, Label-Lanyard anchorage point	4	
23	09440332	Decal, Danger-Axle release hazard	1	
24	09140040	Decal, Platform control panel	1	
25	09140037	Decal, Platform control panel	1	
26	09140041	Decal, Platform control panel	1	
27	09140038	Decal, Platform control panel	1	
28	09140039	Decal, Platform control panel	1	
29	09140042	Decal, Platform control panel	1	
30	09440768	Decal, Instructions-Work area	1	BA22CERT2 (Standard)
	09440769	Decal, Instructions-Work area	1	BA20CERT2 (Standard)

8-1 Decals Installations (Continued)


Item	Part Number	Description	Qty.	Remark
30	09440770	Decal, Instructions-Work area	1	BA18CERT2 (Standard)
	09440771	Decal, Instructions-Work area	1	BA16CERT2 (Standard)
	09440772	Decal, Instructions-Work area	1	BA22CERT2 (Optional)
	09440773	Decal, Instructions-Work area	1	BA20CERT2 (Optional)
	09440774	Decal, Instructions-Work area	1	BA18CERT2 (Optional)
	09440775	Decal, Instructions-Work area	1	BA16CERT2 (Optional)
31	09340029	Decal, Instructions-Open/close	1	
32	09340026	Decal, Symbols-Refer the operator to the instructions for use	1	
33	09440755	Decal, Label-Capacity 320kg	1	Standard
	09440192	Decal, Label-Capacity 300kg	1	Optional

8-1 Decals Installations (Continued)


<p>① 09630224 BA22CERT2</p> <p>① 09630225 BA20CERT2</p> <p>① 09630226 BA18CERT2</p> <p>① 09630227 BA16CERT2</p>	<p>② 09310366 </p> <p>⑤ 09310207 </p> <p>⑤ 09310140 </p> <p>⑤ 09310199 </p> <p>⑩ 09410151 </p>	<p>③ 09320014 </p> <p>⑥ 09310251 </p>	<p>④ 09410117 </p> <p>⑧ 09610194 BA22CERT2</p> <p>⑧ 09610195 BA20CERT2</p> <p>⑧ 09610196 BA18CERT2</p> <p>⑧ 09610197 BA16CERT2</p> <p>⑫ 09310250 </p>
<p>⑦ 09310527 </p> <p>⑨ 09410118 </p>	<p>⑪ 09910139 DINGLI  22m </p> <p>⑪ 09910140 DINGLI  20m </p> <p>⑪ 09910141 DINGLI  18m </p> <p>⑪ 09910142 DINGLI  16m </p> <p>⑮ 09910126 DINGLI 22m  4x4 </p> <p>⑮ 09910107 DINGLI 20m  4x4 </p> <p>⑮ 09910108 DINGLI 18m  4x4 </p> <p>⑮ 09910109 DINGLI 16m  4x4 </p>	<p>⑬ 09410244 </p> <p>⑬ 09410245 </p> <p>⑭ 09410048 </p>	

8-1 Decals Installations (Continued)


15 09910143




15 09910144



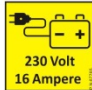
15 09910145




15 09910146



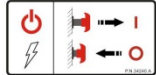
16 09310355




16 09310493




17 09310078




18 09410139




19 09310252




20 09340070




21 09440212



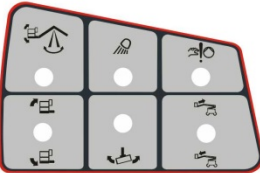
22 09340041



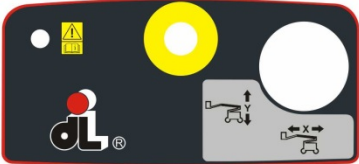
23 09440332




25 09140037



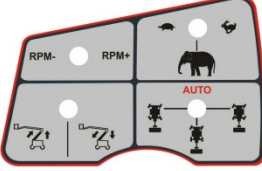
26 09140041




24 09140040



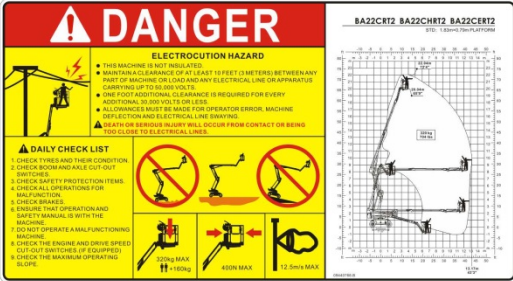
28 09140039



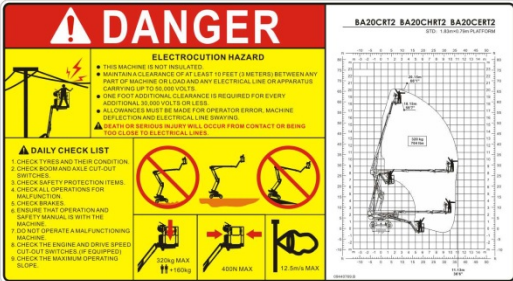
27 09140038



30 09440768



30 09440769



8-1 Decals Installations (Continued)

30 09440770

DANGER

ELECTROCUSSION HAZARD

- THIS MACHINE IS NOT INSULATED.
- MAINTAIN A CLEARANCE OF AT LEAST 10 FEET (3 METERS) BETWEEN ANY PART OF MACHINE OR LOAD AND ANY ELECTRICAL LINE OR APPARATUS CARRYING UP TO 500 VOLTS.
- ONE FOOT (300 MM) ADDITIONAL CLEARANCE IS REQUIRED FOR EVERY ADDITIONAL 30,000 VOLTS OR LESS.
- ALLOWANCES MUST BE MADE FOR OPERATOR ERROR, MACHINE DEFLECTION AND ELECTRICAL LINE SWAYING.
- DEATH OR SERIOUS INJURY WILL OCCUR FROM CONTACT OR BEING TOO CLOSE TO ELECTRICAL LINES.

DAILY CHECK LIST

- CHECK TYRES AND THEIR CONDITION.
- CHECK BOOM AND AXLE CUT-OUT SWITCHES.
- CHECK SAFETY PROTECTION ITEMS.
- CHECK ALL OPERATIONS FOR MALFUNCTION.
- CHECK BRAKES.
- ENSURE THAT OPERATION AND SAFETY MANUAL IS WITH THE MACHINE.
- DO NOT OPERATE A MALFUNCTIONING MACHINE.
- CHECK THE ENGINE AND DRIVE SPEED CUT-OUT SWITCHES (IF EQUIPPED).
- CHECK THE MAXIMUM OPERATING SLOPE.

BA18CR12 BA18CR12 BA18CR12
OPT. 2. 4. 6. 8. 10. 12. 14. 16. 18. 20. 22. 24. 26. 28. 30. 32. 34. 36. 38. 40. 42. 44. 46. 48. 50. 52. 54. 56. 58. 60. 62. 64. 66. 68. 70. 72. 74. 76. 78. 80. 82. 84. 86. 88. 90. 92. 94. 96. 98. 100.

30 09440771

DANGER

ELECTROCUSSION HAZARD

- THIS MACHINE IS NOT INSULATED.
- MAINTAIN A CLEARANCE OF AT LEAST 10 FEET (3 METERS) BETWEEN ANY PART OF MACHINE OR LOAD AND ANY ELECTRICAL LINE OR APPARATUS CARRYING UP TO 500 VOLTS.
- ONE FOOT (300 MM) ADDITIONAL CLEARANCE IS REQUIRED FOR EVERY ADDITIONAL 30,000 VOLTS OR LESS.
- ALLOWANCES MUST BE MADE FOR OPERATOR ERROR, MACHINE DEFLECTION AND ELECTRICAL LINE SWAYING.
- DEATH OR SERIOUS INJURY WILL OCCUR FROM CONTACT OR BEING TOO CLOSE TO ELECTRICAL LINES.

DAILY CHECK LIST

- CHECK TYRES AND THEIR CONDITION.
- CHECK BOOM AND AXLE CUT-OUT SWITCHES.
- CHECK SAFETY PROTECTION ITEMS.
- CHECK ALL OPERATIONS FOR MALFUNCTION.
- CHECK BRAKES.
- ENSURE THAT OPERATION AND SAFETY MANUAL IS WITH THE MACHINE.
- DO NOT OPERATE A MALFUNCTIONING MACHINE.
- CHECK THE ENGINE AND DRIVE SPEED CUT-OUT SWITCHES (IF EQUIPPED).
- CHECK THE MAXIMUM OPERATING SLOPE.

BA14CR12 BA14CR12 BA14CR12
OPT. 1. 3. 5. 7. 9. 11. 13. 15. 17. 19. 21. 23. 25. 27. 29. 31. 33. 35. 37. 39. 41. 43. 45. 47. 49. 51. 53. 55. 57. 59. 61. 63. 65. 67. 69. 71. 73. 75. 77. 79. 81. 83. 85. 87. 89. 91. 93. 95. 97. 99. 101.

30 09440772

DANGER

ELECTROCUSSION HAZARD

- THIS MACHINE IS NOT INSULATED.
- MAINTAIN A CLEARANCE OF AT LEAST 10 FEET (3 METERS) BETWEEN ANY PART OF MACHINE OR LOAD AND ANY ELECTRICAL LINE OR APPARATUS CARRYING UP TO 500 VOLTS.
- ONE FOOT (300 MM) ADDITIONAL CLEARANCE IS REQUIRED FOR EVERY ADDITIONAL 30,000 VOLTS OR LESS.
- ALLOWANCES MUST BE MADE FOR OPERATOR ERROR, MACHINE DEFLECTION AND ELECTRICAL LINE SWAYING.
- DEATH OR SERIOUS INJURY WILL OCCUR FROM CONTACT OR BEING TOO CLOSE TO ELECTRICAL LINES.

DAILY CHECK LIST

- CHECK TYRES AND THEIR CONDITION.
- CHECK BOOM AND AXLE CUT-OUT SWITCHES.
- CHECK SAFETY PROTECTION ITEMS.
- CHECK ALL OPERATIONS FOR MALFUNCTION.
- CHECK BRAKES.
- ENSURE THAT OPERATION AND SAFETY MANUAL IS WITH THE MACHINE.
- DO NOT OPERATE A MALFUNCTIONING MACHINE.
- CHECK THE ENGINE AND DRIVE SPEED CUT-OUT SWITCHES (IF EQUIPPED).
- CHECK THE MAXIMUM OPERATING SLOPE.

BA22CR12 BA22CR12 BA22CR12
OPT. 2. 4. 6. 8. 10. 12. 14. 16. 18. 20. 22. 24. 26. 28. 30. 32. 34. 36. 38. 40. 42. 44. 46. 48. 50. 52. 54. 56. 58. 60. 62. 64. 66. 68. 70. 72. 74. 76. 78. 80. 82. 84. 86. 88. 90. 92. 94. 96. 98. 100.

30 09440773

DANGER

ELECTROCUSSION HAZARD

- THIS MACHINE IS NOT INSULATED.
- MAINTAIN A CLEARANCE OF AT LEAST 10 FEET (3 METERS) BETWEEN ANY PART OF MACHINE OR LOAD AND ANY ELECTRICAL LINE OR APPARATUS CARRYING UP TO 500 VOLTS.
- ONE FOOT (300 MM) ADDITIONAL CLEARANCE IS REQUIRED FOR EVERY ADDITIONAL 30,000 VOLTS OR LESS.
- ALLOWANCES MUST BE MADE FOR OPERATOR ERROR, MACHINE DEFLECTION AND ELECTRICAL LINE SWAYING.
- DEATH OR SERIOUS INJURY WILL OCCUR FROM CONTACT OR BEING TOO CLOSE TO ELECTRICAL LINES.

DAILY CHECK LIST

- CHECK TYRES AND THEIR CONDITION.
- CHECK BOOM AND AXLE CUT-OUT SWITCHES.
- CHECK SAFETY PROTECTION ITEMS.
- CHECK ALL OPERATIONS FOR MALFUNCTION.
- CHECK BRAKES.
- ENSURE THAT OPERATION AND SAFETY MANUAL IS WITH THE MACHINE.
- DO NOT OPERATE A MALFUNCTIONING MACHINE.
- CHECK THE ENGINE AND DRIVE SPEED CUT-OUT SWITCHES (IF EQUIPPED).
- CHECK THE MAXIMUM OPERATING SLOPE.

BA20CR12 BA20CR12 BA20CR12
OPT. 2. 4. 6. 8. 10. 12. 14. 16. 18. 20. 22. 24. 26. 28. 30. 32. 34. 36. 38. 40. 42. 44. 46. 48. 50. 52. 54. 56. 58. 60. 62. 64. 66. 68. 70. 72. 74. 76. 78. 80. 82. 84. 86. 88. 90. 92. 94. 96. 98. 100.

30 09440774

DANGER

ELECTROCUSSION HAZARD

- THIS MACHINE IS NOT INSULATED.
- MAINTAIN A CLEARANCE OF AT LEAST 10 FEET (3 METERS) BETWEEN ANY PART OF MACHINE OR LOAD AND ANY ELECTRICAL LINE OR APPARATUS CARRYING UP TO 500 VOLTS.
- ONE FOOT (300 MM) ADDITIONAL CLEARANCE IS REQUIRED FOR EVERY ADDITIONAL 30,000 VOLTS OR LESS.
- ALLOWANCES MUST BE MADE FOR OPERATOR ERROR, MACHINE DEFLECTION AND ELECTRICAL LINE SWAYING.
- DEATH OR SERIOUS INJURY WILL OCCUR FROM CONTACT OR BEING TOO CLOSE TO ELECTRICAL LINES.

DAILY CHECK LIST

- CHECK TYRES AND THEIR CONDITION.
- CHECK BOOM AND AXLE CUT-OUT SWITCHES.
- CHECK SAFETY PROTECTION ITEMS.
- CHECK ALL OPERATIONS FOR MALFUNCTION.
- CHECK BRAKES.
- ENSURE THAT OPERATION AND SAFETY MANUAL IS WITH THE MACHINE.
- DO NOT OPERATE A MALFUNCTIONING MACHINE.
- CHECK THE ENGINE AND DRIVE SPEED CUT-OUT SWITCHES (IF EQUIPPED).
- CHECK THE MAXIMUM OPERATING SLOPE.

BA18CR12 BA18CR12 BA18CR12
OPT. 2. 4. 6. 8. 10. 12. 14. 16. 18. 20. 22. 24. 26. 28. 30. 32. 34. 36. 38. 40. 42. 44. 46. 48. 50. 52. 54. 56. 58. 60. 62. 64. 66. 68. 70. 72. 74. 76. 78. 80. 82. 84. 86. 88. 90. 92. 94. 96. 98. 100.

30 09440775

DANGER

ELECTROCUSSION HAZARD

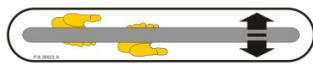
- THIS MACHINE IS NOT INSULATED.
- MAINTAIN A CLEARANCE OF AT LEAST 10 FEET (3 METERS) BETWEEN ANY PART OF MACHINE OR LOAD AND ANY ELECTRICAL LINE OR APPARATUS CARRYING UP TO 500 VOLTS.
- ONE FOOT (300 MM) ADDITIONAL CLEARANCE IS REQUIRED FOR EVERY ADDITIONAL 30,000 VOLTS OR LESS.
- ALLOWANCES MUST BE MADE FOR OPERATOR ERROR, MACHINE DEFLECTION AND ELECTRICAL LINE SWAYING.
- DEATH OR SERIOUS INJURY WILL OCCUR FROM CONTACT OR BEING TOO CLOSE TO ELECTRICAL LINES.

DAILY CHECK LIST

- CHECK TYRES AND THEIR CONDITION.
- CHECK BOOM AND AXLE CUT-OUT SWITCHES.
- CHECK SAFETY PROTECTION ITEMS.
- CHECK ALL OPERATIONS FOR MALFUNCTION.
- CHECK BRAKES.
- ENSURE THAT OPERATION AND SAFETY MANUAL IS WITH THE MACHINE.
- DO NOT OPERATE A MALFUNCTIONING MACHINE.
- CHECK THE ENGINE AND DRIVE SPEED CUT-OUT SWITCHES (IF EQUIPPED).
- CHECK THE MAXIMUM OPERATING SLOPE.

BA14CR12 BA14CR12 BA14CR12
OPT. 1. 3. 5. 7. 9. 11. 13. 15. 17. 19. 21. 23. 25. 27. 29. 31. 33. 35. 37. 39. 41. 43. 45. 47. 49. 51. 53. 55. 57. 59. 61. 63. 65. 67. 69. 71. 73. 75. 77. 79. 81. 83. 85. 87. 89. 91. 93. 95. 97. 99. 101.

31 09340029



33 09440755

CAPACITY • 320kg

32 09340026

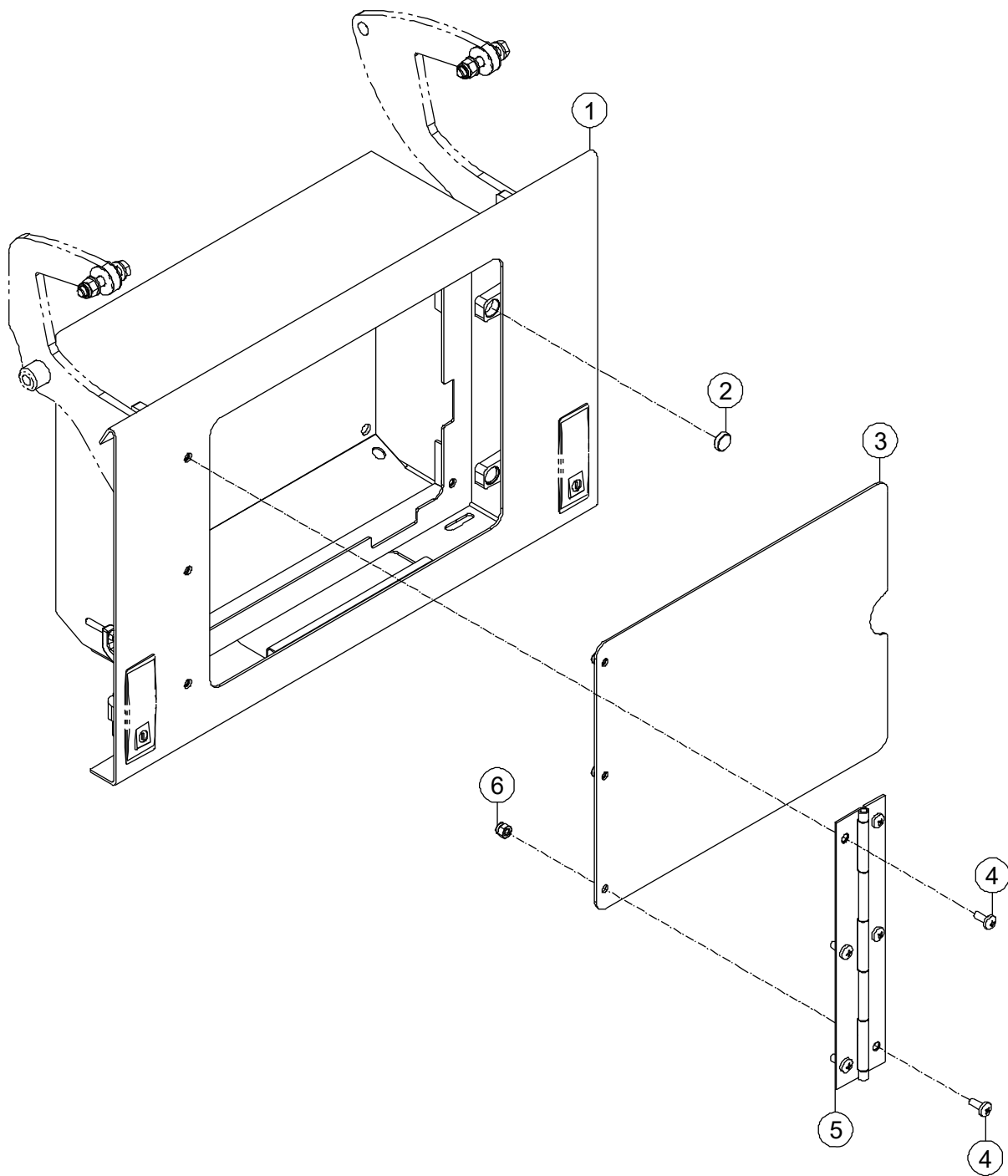


33 09440192

CAPACITY • 300kg

Section 9 Special Options

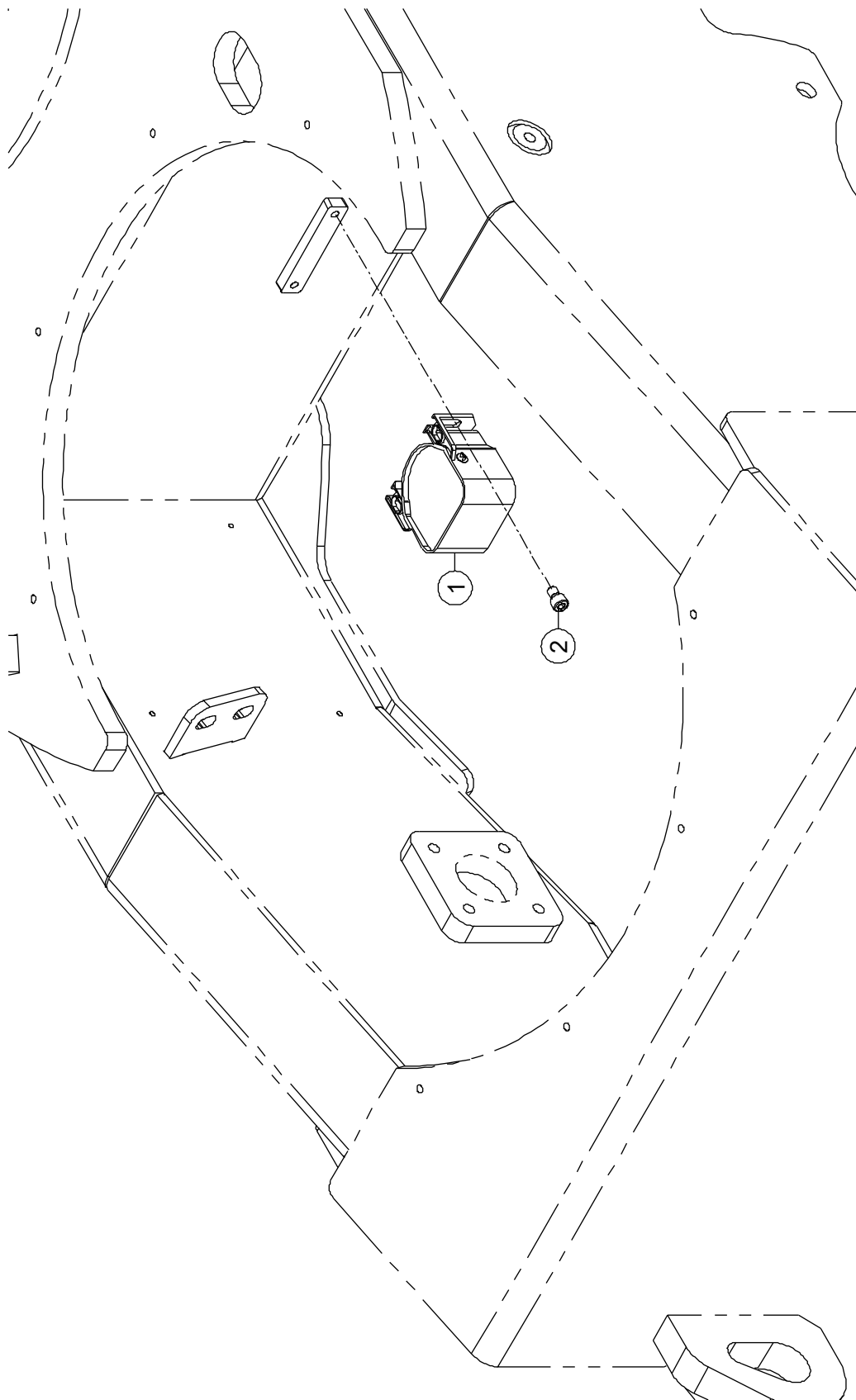
9-1 Ground Control Box Housing Installations



9-1 Ground Control Box Housing Installations

Item	Part Number	Description	Qty.	Remark
1	92100784	Ground Control Box	1	
2	10002550	Magnet	2	
3	92100788	Control door plate	1	
4	00001231	Screw GB/T 818 M6 × 14 - H	6	
5	92100786	Hinge	1	
6	00001033	Nut GB/T 6182 M6	3	

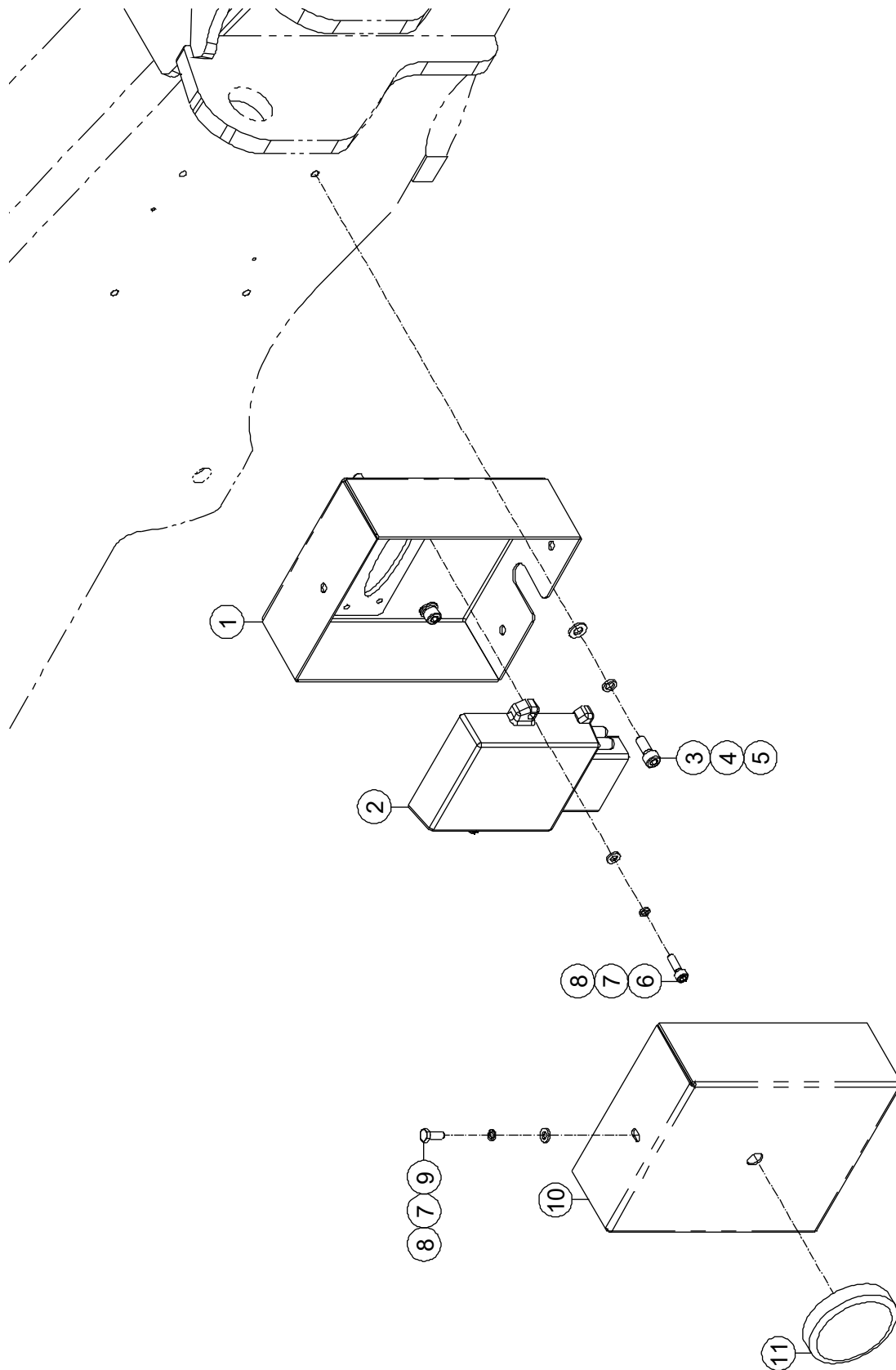
9-2 Alarm Installations



9-2 Alarm Installations

Item	Part Number	Description	Qty.	Remark
1	00004438	Alarm	1	Option 1
	00011958	Alarm (White noise)	1	Option 2
2	00002029	Screw GB/T 70 M6 × 12	2	

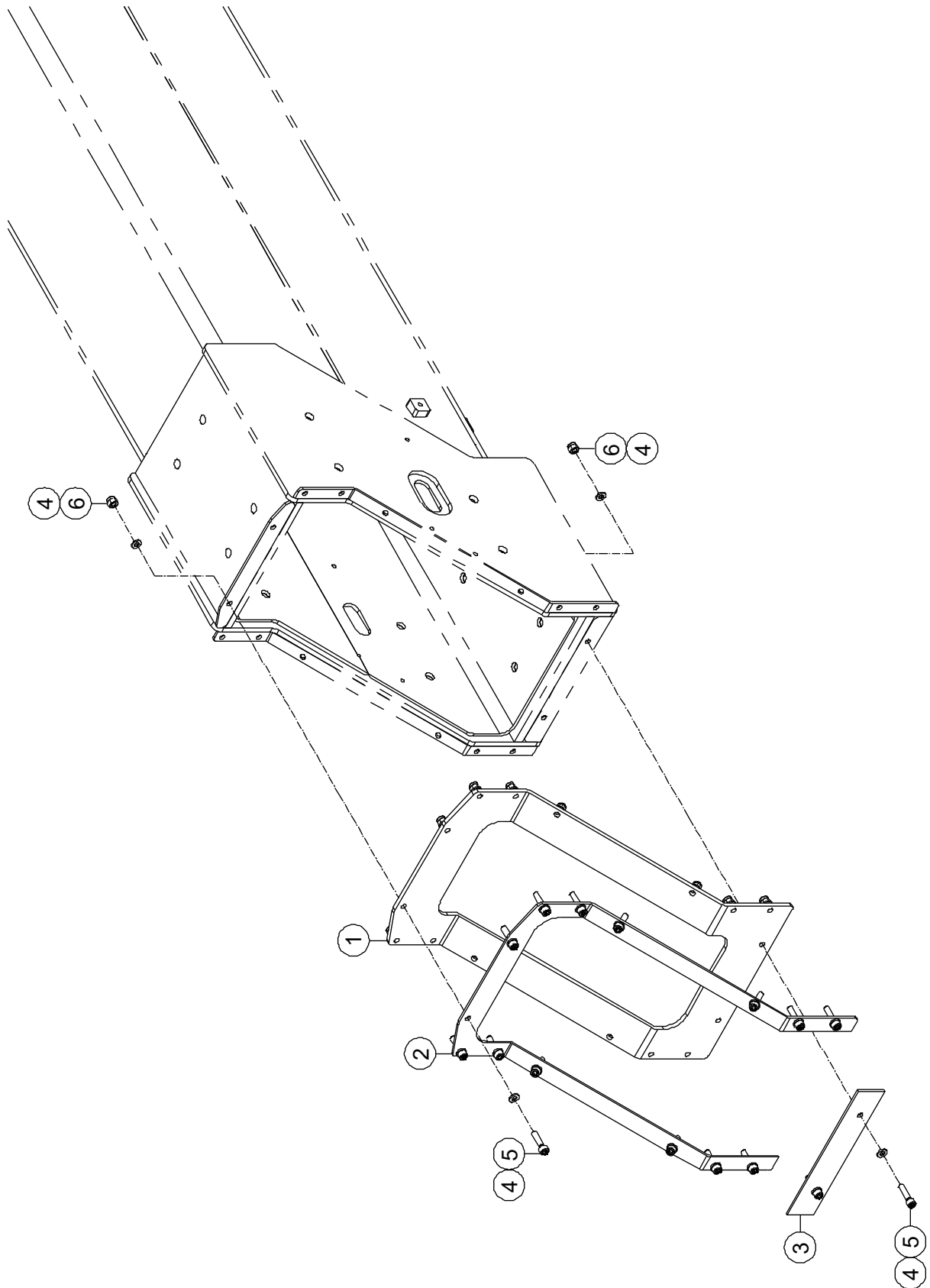
9-3 GPS Module Installations



9-3 GPS Module Installations

Item	Part Number	Description	Qty.	Remark
1	92100897	Bracket	1	
2	00007339	IOT Module	1	
3	00001061	Screw GB/T 70 M8 × 20	4	
4	00000609	Spring Washer GB/T 93 8	4	
5	00000608	Flat Washer GB/T 97.1 8	4	
6	00000774	Screw GB/T 70 M6 × 20	2	
7	00000621	Spring Washer GB/T 93 6	5	
8	00000620	Flat Washer GB/T 97.1 6	5	
9	00000818	Bolt GB/T 5783 M6 × 16	3	
10	92100896	Cover	1	
11	00007340	GPS Antenna	1	

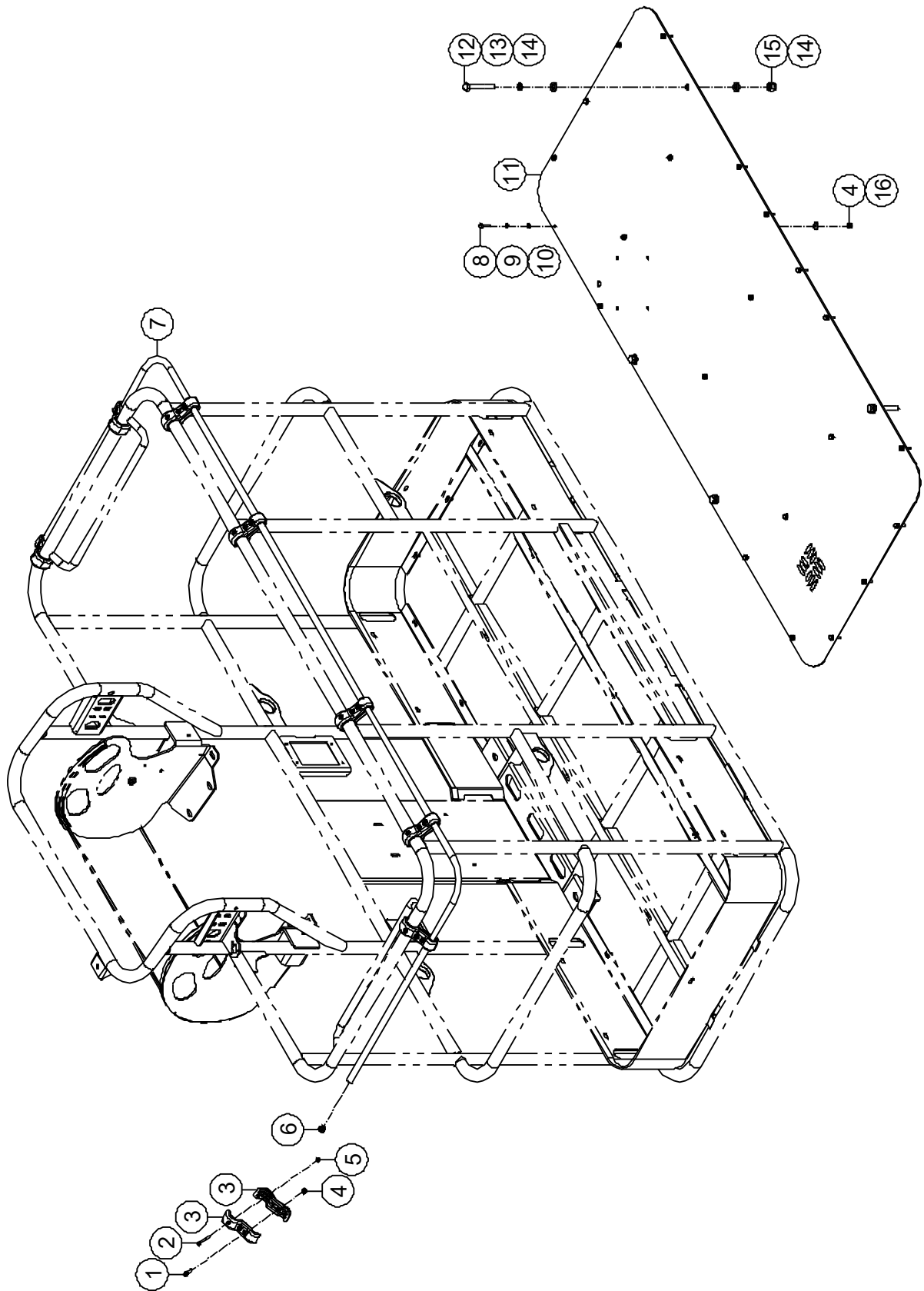
9-4 Boom Shield Installations



9-4 Boom Shield Installations

Item	Part Number	Description	Qty.	Remark
1	50008950	Guard (Rubber)	1	
2	50008951	Plate	1	
3	50008952	Plate	1	
4	00000620	Flat Washer GB/T 97.1 6	32	
5	00001034	Screw GB/T 70 M6 × 25	16	
6	00001033	Nut GB/T 6182 M6	16	

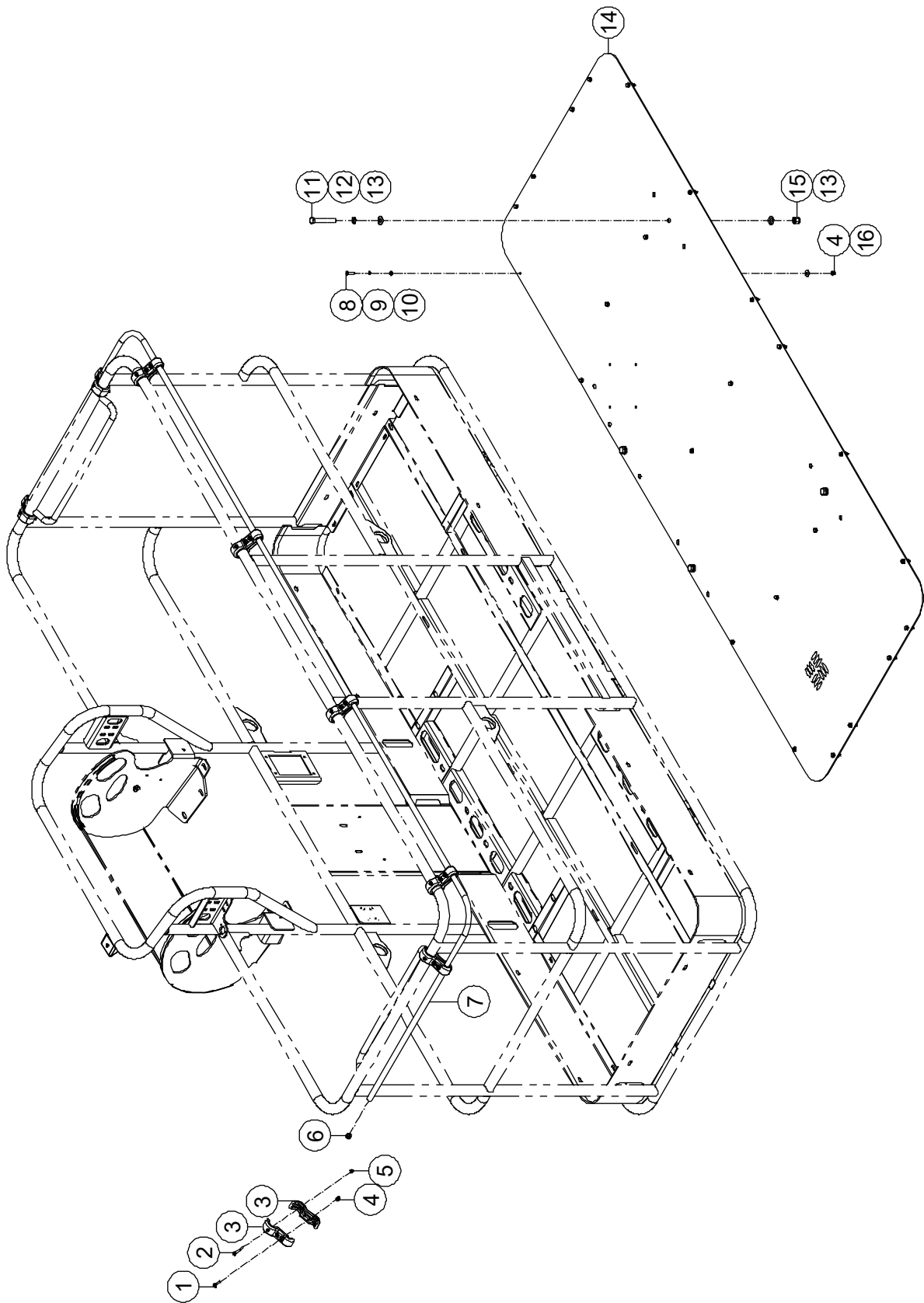
9-5 Platform Accessories 1 (1.83m×0.79m)



9-5 Platform Accessories 1 (1.83m×0.79m)

Item	Part Number	Description	Qty.	Remark
1	00001034	Screw GB/T 70 M6 × 25	16	
2	00002505	Screw GB/T 70 M5 × 50	8	
3	10007023	Pinch Guard Support	16	
4	00001033	Nut GB/T 6182 M6	38	
5	00000613	Nut GB/T 6182 M5	8	
6	92100821	Plug	2	
7	50005790	Pinch Guard	1	
8	00000619	Bolt GB/T 5783 M6 × 25	22	
9	00000621	Spring Washer GB/T 93 6	22	
10	00000620	Flat Washer GB/T 97.1 6	22	
11	50005788	Deck Plate	1	
12	00002527	Bolt GB/T 5782 M12 × 80	4	
13	00000815	Spring Washer GB/T 93 12	4	
14	00000814	Flat Washer GB/T 97.1 12	8	
15	00001249	Nut GB/T 6182 M12	4	
16	00002583	Flat Washer GB/T 96.1 6	22	

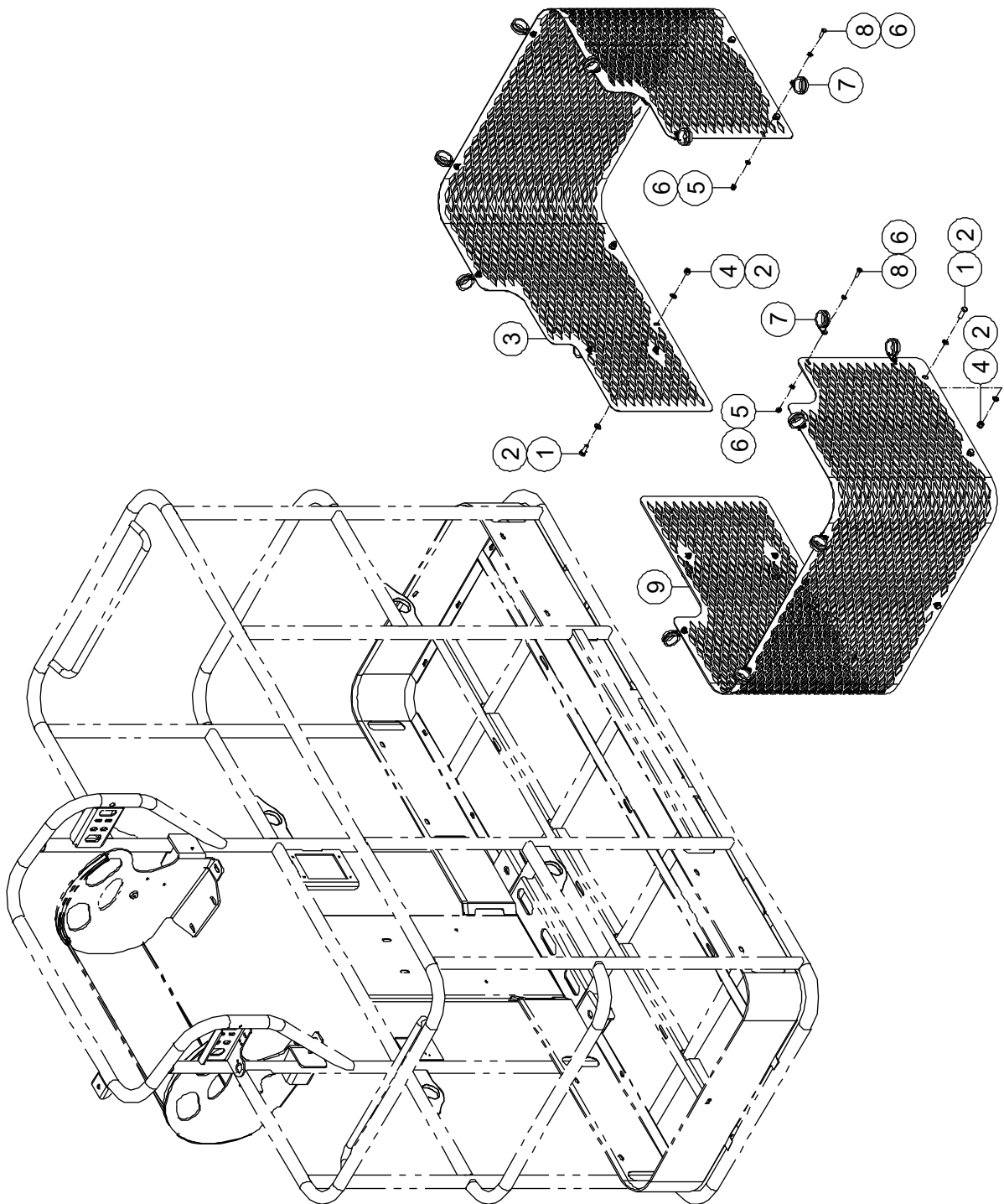
9-6 Platform Accessories 1 (2.44m×0.91m)



9-6 Platform Accessories 1 (2.44m×0.91m)

Item	Part Number	Description	Qty.	Remark
1	00001034	Screw GB/T 70 M6 × 25	16	
2	00002505	Screw GB/T 70 M5 × 50	8	
3	10007023	Pinch Guard Support	16	
4	00001033	Nut GB/T 6182 M6	40	
5	00000613	Nut GB/T 6182 M5	8	
6	92100821	Plug	2	
7	92100767	Pinch Guard	1	
8	00000619	Bolt GB/T 5783 M6 × 25	24	
9	00000621	Spring Washer GB/T 93 6	24	
10	00000620	Flat Washer GB/T 97.1 6	24	
11	00002527	Bolt GB/T 5782 M12 × 80	4	
12	00000815	Spring Washer GB/T 93 12	4	
13	00000814	Flat Washer GB/T 97.1 12	8	
14	50010125	Deck Plate	1	
15	00001249	Nut GB/T 6182 M12	4	
16	00002583	Flat Washer GB/T 96.1 6	24	

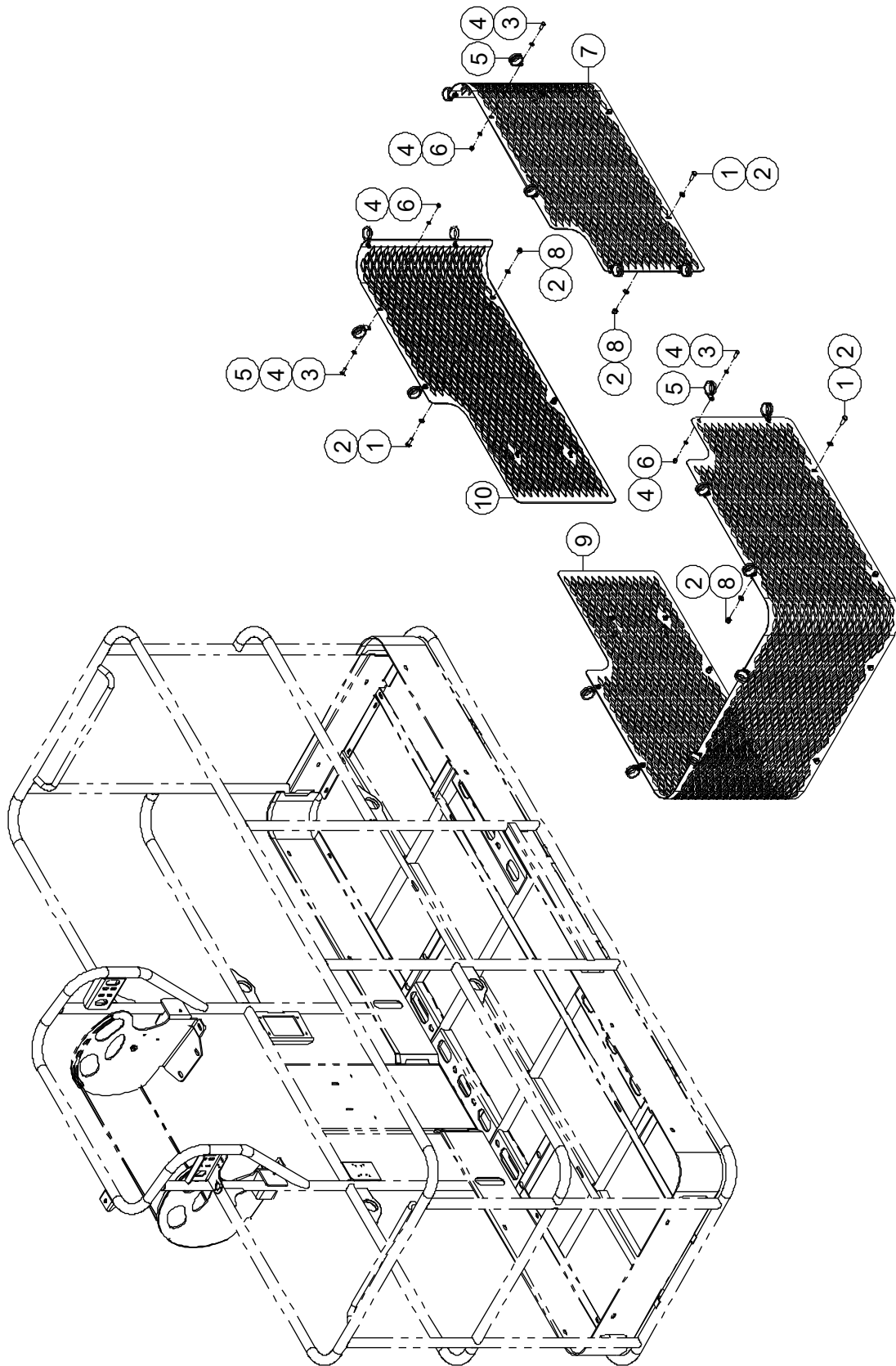
9-7 Platform Accessories 2 (1.83m×0.79m)



9-7 Platform Accessories 2 (1.83m×0.79m)

Item	Part Number	Description	Qty.	Remark
1	00000993	Bolt GB/T 5783 M8 × 25	10	
2	00000608	Flat Washer GB/T 97.1 8	20	
3	50005792	Panel, Half Mesh	1	
4	00001163	Nut GB/T 6182 M8	10	
5	00001033	Nut GB/T 6182 M6	16	
6	00000620	Flat Washer GB/T 97.1 6	32	
7	92100782	Clamp	16	
8	00000743	Bolt GB/T 5783 M6 × 20	16	
9	50005791	Panel, Half Mesh	1	

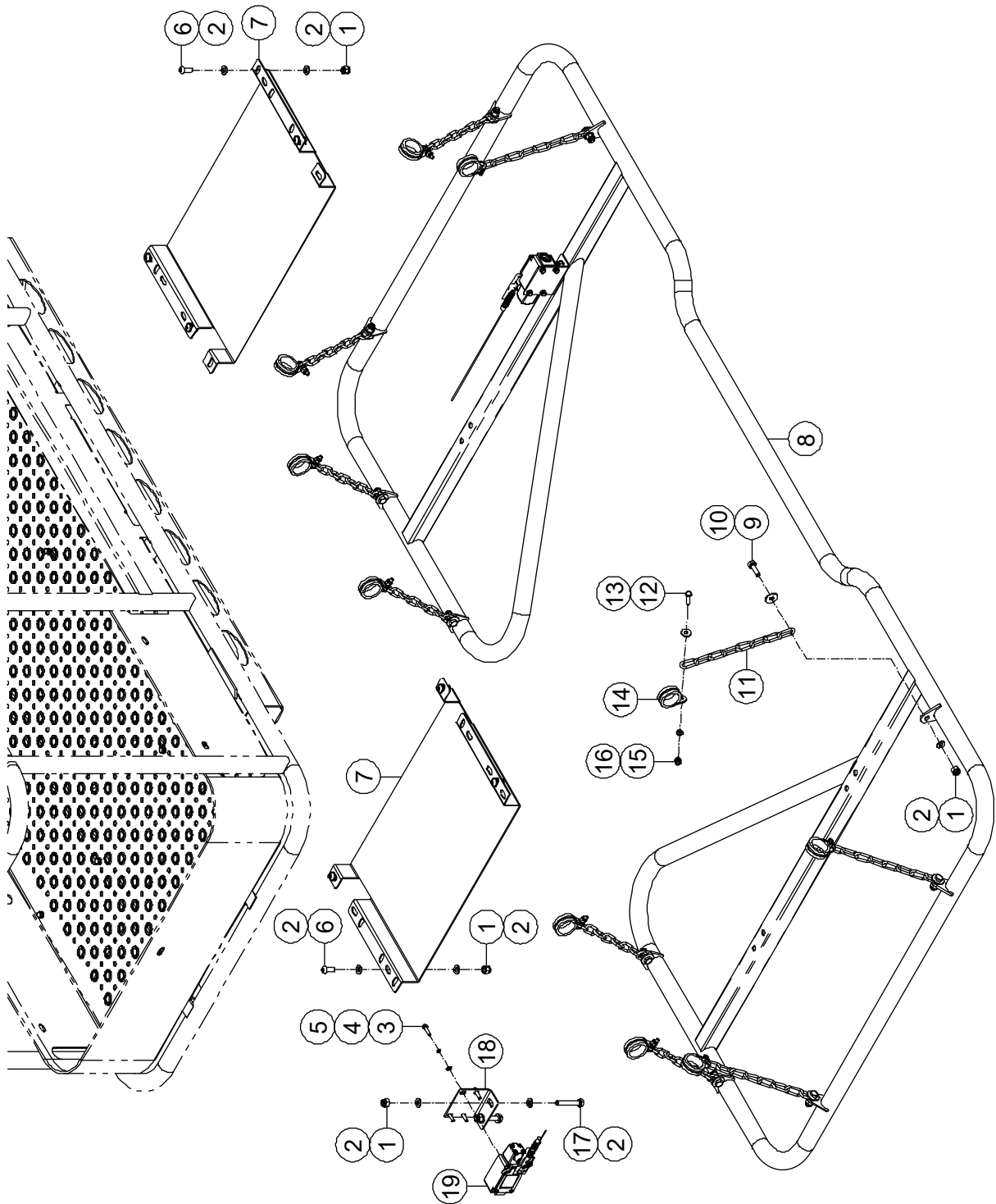
9-8 Platform Accessories 2 (2.44m×0.91m)



9-8 Platform Accessories 2 (2.44m×0.91m)

Item	Part Number	Description	Qty.	Remark
1	00000993	Bolt GB/T 5783 M8 × 25	10	
2	00000608	Flat Washer GB/T 97.1 8	20	
3	00000743	Bolt GB/T 5783 M6 × 20	22	
4	00000620	Flat Washer GB/T 97.1 6	44	
5	92100782	Clamp	22	
6	00001033	Nut GB/T 6182 M6	22	
7	92100781	Panel, Half Mesh	1	
8	00001163	Nut GB/T 6182 M8	10	
9	92100779	Panel, Half Mesh	1	
10	92100780	Panel, Half Mesh	1	

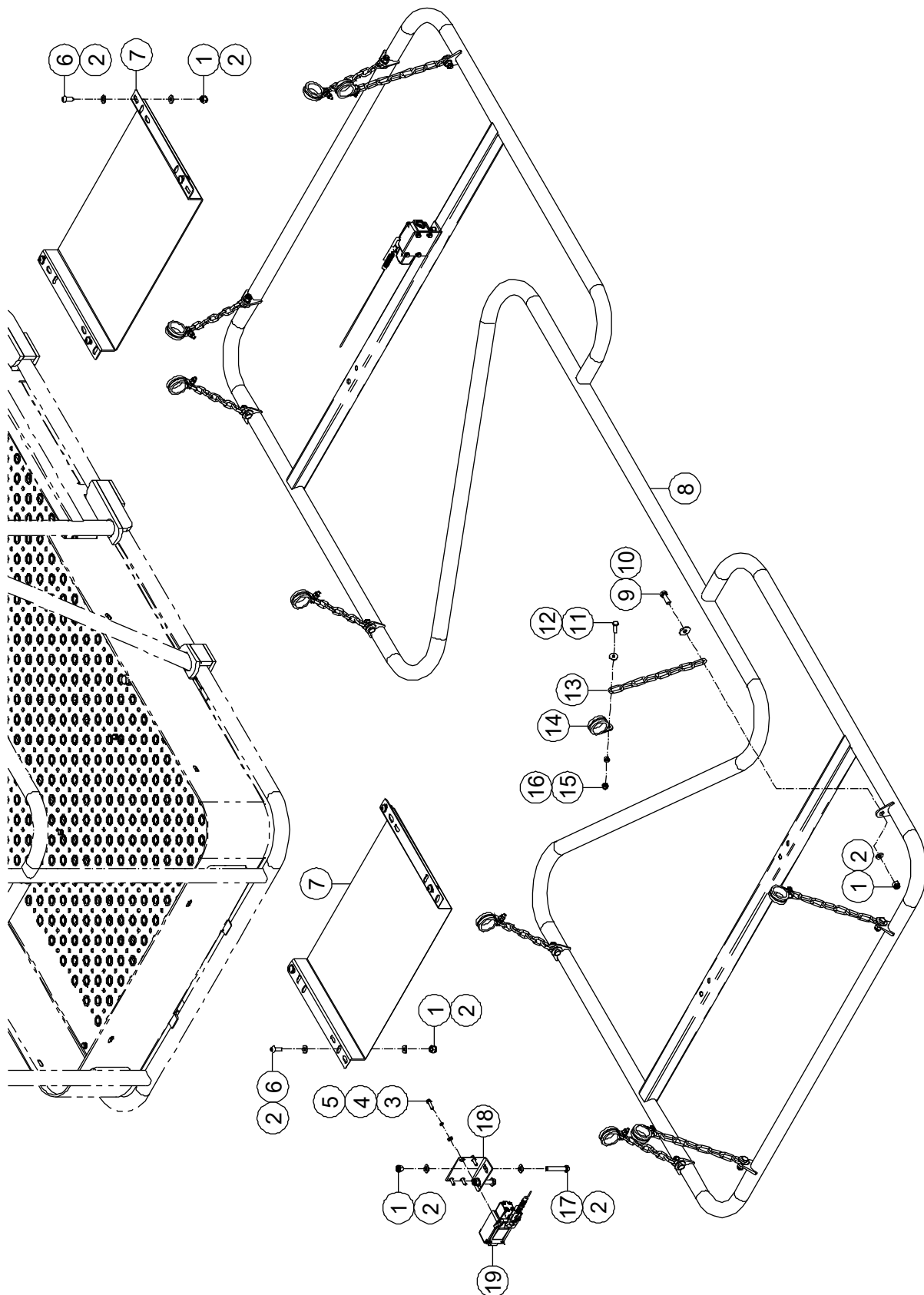
9-9 Platform Accessories 3 (1.83m×0.79m)



9-9 Platform Accessories 3 (1.83m×0.79m)

Item	Part Number	Description	Qty.	Remark
1	00001163	Nut GB/T 6182 M8	22	
2	00000608	Flat Washer GB/T 97.1 8	34	
3	00002268	Bolt GB/T 5783 M5 × 20	8	
4	00000606	Spring Washer GB/T 93 5	8	
5	00000605	Flat Washer GB/T 97.1 5	8	
6	00001188	Screw GB/T 70.2 M8×20	8	
7	50008058	Bracket	2	
8	50008055	Support	1	
9	00000993	Bolt GB/T 5783 M8 × 25	10	
10	00002000	Flat Washer GB/T 96.1 8	10	
11	92101400	Chain	10	
12	00000619	Bolt GB/T 5783 M6 × 25	10	
13	00002583	Flat Washer GB/T 96.1 6	10	
14	92100782	Clamp	10	
15	00001033	Nut GB/T 6182 M6	10	
16	00000620	Flat Washer GB/T 97.1 6	10	
17	00003607	Bolt GB/T 5783 M8 × 50	4	
18	92101396	Bracket	2	
19	00009340	Switch, Limit	2	

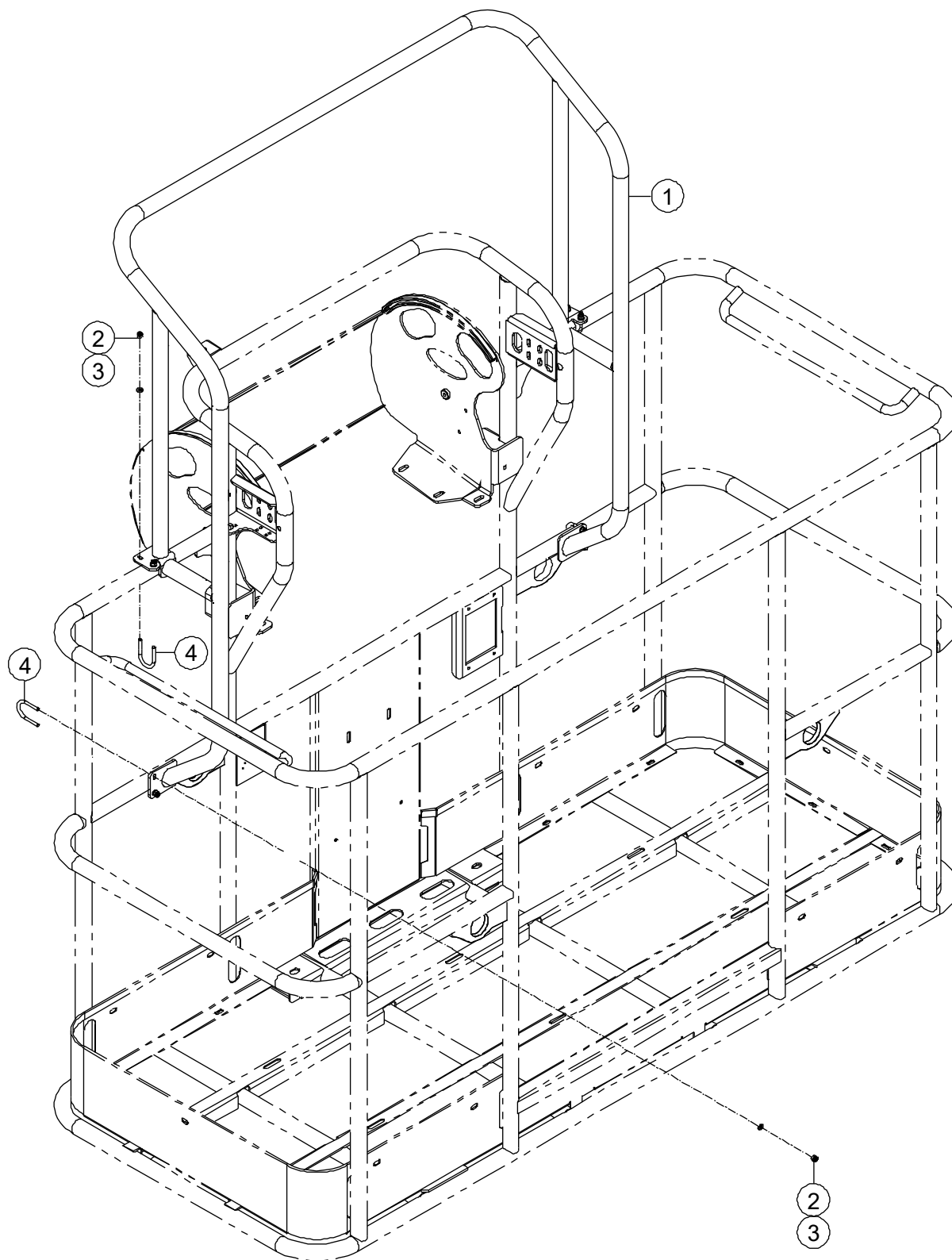
9-10 Platform Accessories 3 (2.44m×0.91m)



9-10 Platform Accessories 3 (2.44m×0.91m)

Item	Part Number	Description	Qty.	Remark
1	00001163	Nut GB/T 6182 M8	22	
2	00000608	Flat Washer GB/T 97.1 8	34	
3	00002268	Bolt GB/T 5783 M5 × 20	8	
4	00000606	Spring Washer GB/T 93 5	8	
5	00000605	Flat Washer GB/T 97.1 5	8	
6	00001188	Screw GB/T 70.2 M8×20	8	
7	92101394	Bracket	2	
8	92101389	Support	1	
9	00000993	Bolt GB/T 5783 M8 × 25	10	
10	00002000	Flat Washer GB/T 96.1 8	10	
11	00000619	Bolt GB/T 5783 M6 × 25	10	
12	00002583	Flat Washer GB/T 96.1 6	10	
13	92101400	Chain	10	
14	92100782	Clamp	10	
15	00001033	Nut GB/T 6182 M6	10	
16	00000620	Flat Washer GB/T 97.1 6	10	
17	00003607	Bolt GB/T 5783 M8 × 50	4	
18	92101396	Bracket	2	
19	00009340	Switch, Limit	2	

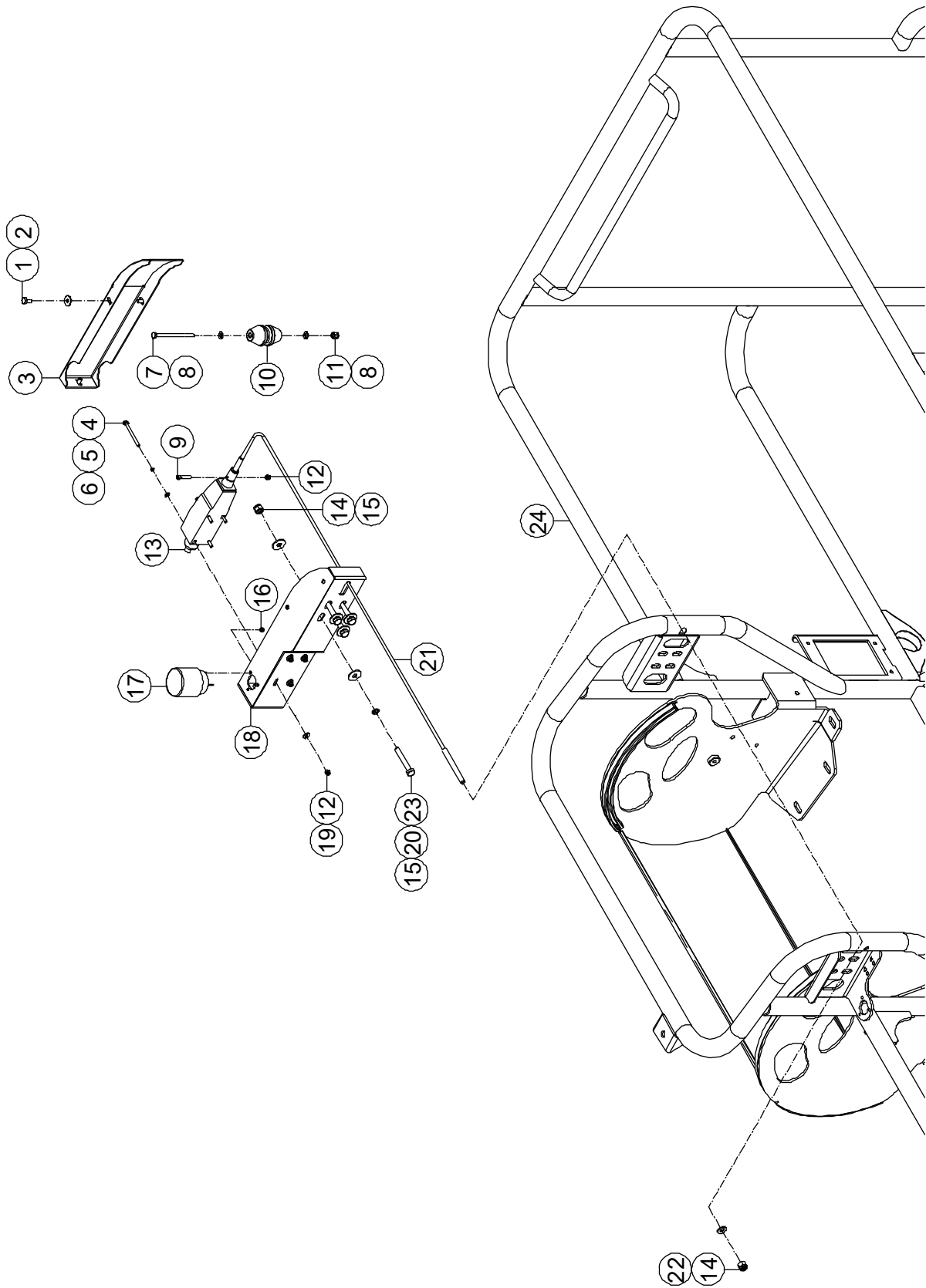
9-11 Platform Accessories 3



9-11 Platform Accessories 3

Item	Part Number	Description	Qty.	Remark
1	92101036	Pinch Guard	1	
2	00001033	Nut GB/T 6182 M6	8	
3	00000620	Flat Washer GB/T 97.1 6	8	
4	92101043	Clamp	4	

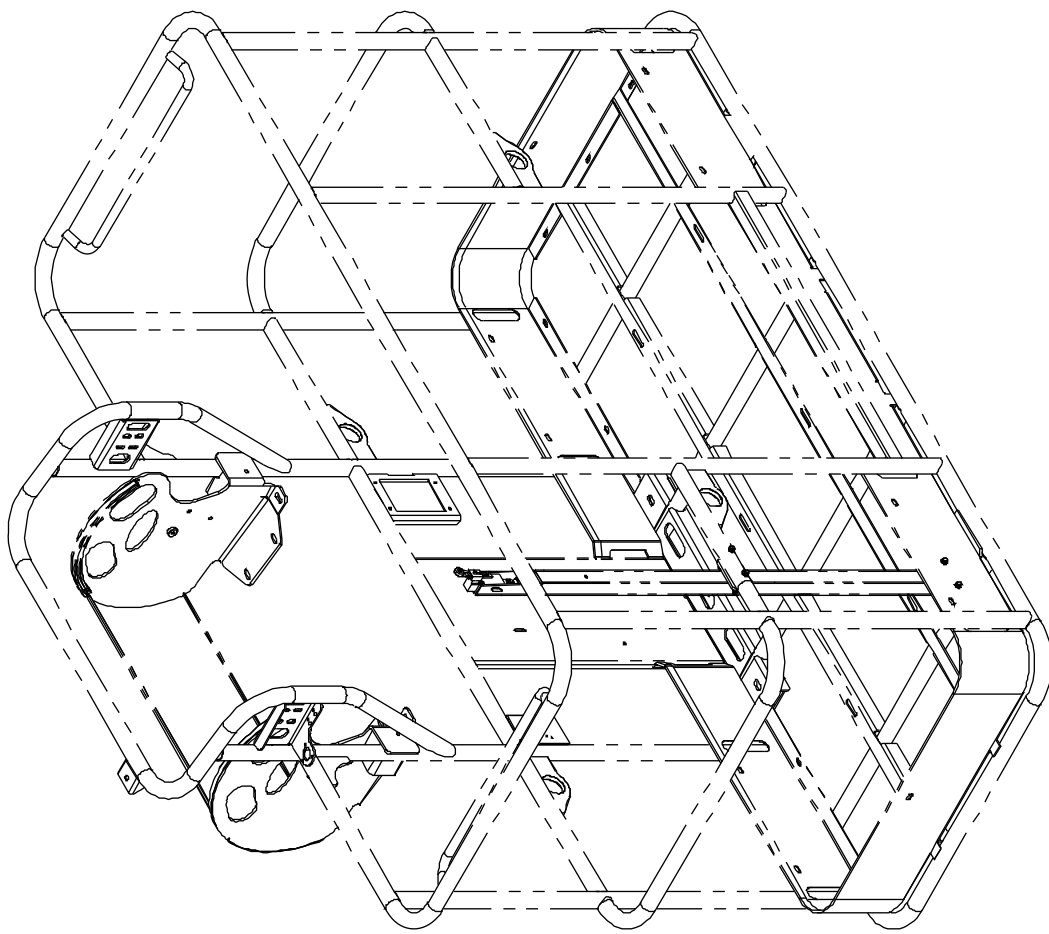
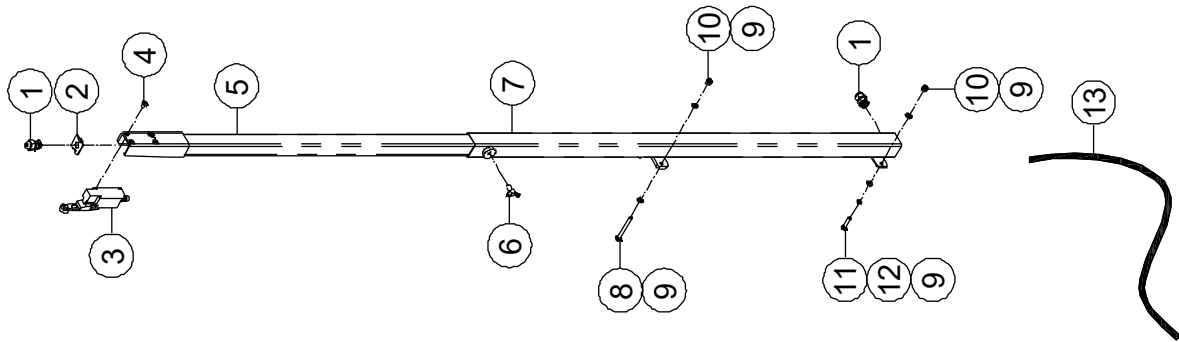
9-12 Lift Guard Contact Alarm



9-12 Lift Guard Contact Alarm

Item	Part Number	Description	Qty.	Remark
1	00000745	Bolt GB/T 5783 M6 × 12	3	
2	00002583	Flat Washer GB/T 96.1 6	3	
3	92100775	Housing	1	
4	00005191	Bolt GB/T 5783 M4 × 55	4	
5	00000779	Spring Washer GB/T 93 4	4	
6	00000778	Flat Washer GB/T 97.1 4	4	
7	00007023	Bolt GB/T 5782 M6 × 80	1	
8	00000620	Flat Washer GB/T 97.1 6	2	
9	00002228	Screw GB/T 70 M4 × 25	1	
10	92100774	Roller	1	
11	00001033	Nut GB/T 6182 M6	1	
12	00001236	Nut GB/T 889.1 M4	5	
13	00005189	Pull-Wire Switch	1	
14	00001163	Nut GB/T 6182 M8	5	
15	00002000	Flat Washer GB/T 96.1 8	8	
16	00003700	Nut GB/T 889.1 M3	3	
17	00005190	Beacon	1	
18	92100770	Bracket	1	
19	00003610	Flat Washer GB/T 96.1 4	4	
20	00000609	Spring Washer GB/T 93 8	4	
21	92100773	Wire Rope Fastener	1	
22	00000608	Flat Washer GB/T 97.1 8	1	
23	00002507	Bolt GB/T 5783 M8 × 55	4	
24	50005787	Platform	1	1.83m×0.79m
	50010127	Platform	1	2.44m×0.91m

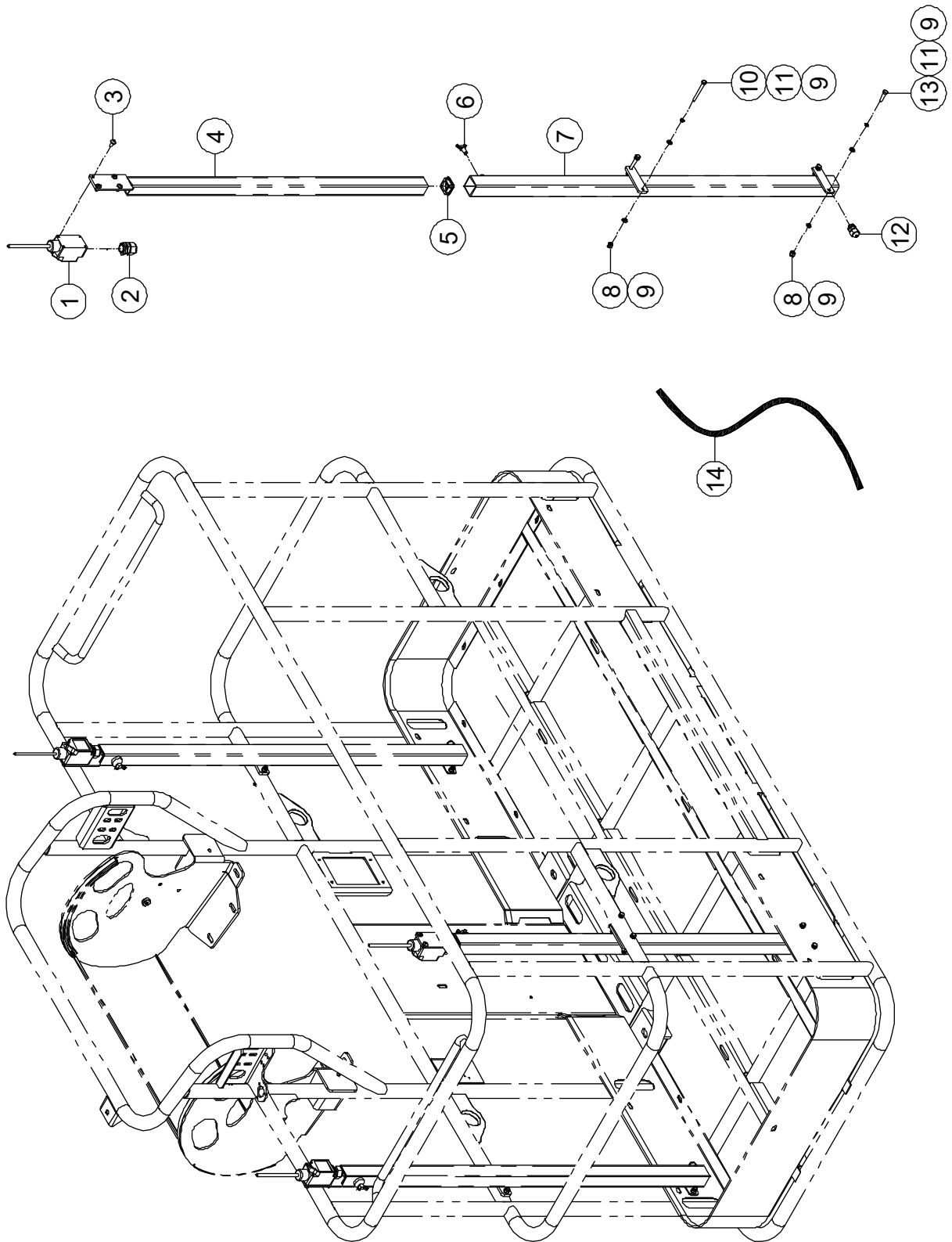
9-13 Anti-collision Device Installations 1



9-13 Anti-collision Device Installations 1

Item	Part Number	Description	Qty.	Remark
1	00001825	M12 Clamp	4	
2	10001599	Bracket, Limit Switch	2	
3	00002354	Limit Switch	2	
4	00000999	Screw GB/T 973 M5×10	8	
5	10001645	Pole	2	
6	00002586	Screw M8×16	2	
7	10001644	Pole	2	
8	00001066	Bolt GB/T 5782 M6 × 55	4	
9	00000620	Flat Washer GB/T 97.1 6	16	
10	00001033	Nut GB/T 6182 M6	8	
11	00000619	Bolt GB/T 5783 M6 × 25	4	
12	00000621	Spring Washer GB/T 93 6	8	
13	00006839	3.4m Harness	2	

9-14 Anti-collision Device Installations 2



9-14 Anti-collision Device Installations 2

Item	Part Number	Description	Qty.	Remark
1	00002606	Limit Switch	4	
2	00005080	M12 Clamp	4	
3	00001060	Screw GB/T 818 M6 × 12 - H	16	
4	10001704	Pole	4	
5	10003413	Plug	4	
6	00002586	Screw M8×16	4	
7	10001644	Pole	4	
8	00001033	Nut GB/T 6182 M6	16	
9	00000620	Flat Washer GB/T 97.1 6	32	
10	00001066	Bolt GB/T 5782 M6 × 55	8	
11	00000621	Spring Washer GB/T 93 6	16	
12	00001825	M12 Clamp	4	
13	00000619	Bolt GB/T 5783 M6 × 25	8	
14	00009366	Harness	4	

Zhejiang Dingli Machinery Co., Ltd.

No.188 Qihang Road. Deqing Zhejiang P.R.
China 313219

Tel: +86-572-8681688

Fax: +86-572-8681690

Web: www.cndingli.com

E-mail: market@cndingli.com

DINGLI